

Location: _____



C220-R

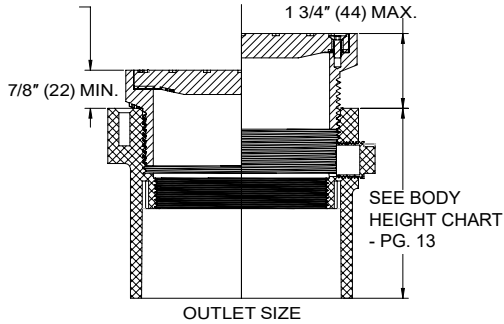
5" ROUND ADJUSTABLE FLOOR CLEANOUT

Specification: MIFAB® C220-R Series adjustable floor cleanout with lacquered cast iron body, secondary closure plug and scoriated combined gasketed cover and plug top assembly (specify material type) with stainless steel vandal proof allen key screws.

Function: Used in finished floors to provide emergency access to the plumbing lines for removal of blockages.

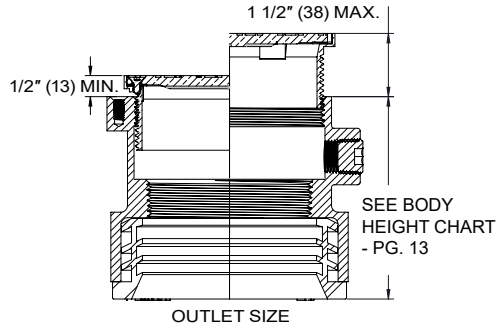
Adjustable Floor Cleanout with Round Top Assembly.

C224-30-R-4



Adjustable Floor Cleanout with Round Top Assembly.

C224P-R-1



MODEL #	OUTLET SIZE	TOP ASSEMBLY DIAMETER & MATERIAL
C222-30-R-1	2" PVC socket	5" Round, Nickel Bronze
C223-30-R-1	3" PVC socket	5" Round, Nickel Bronze
C224-30-R-1	4" PVC socket	5" Round, Nickel Bronze
C222-30-R-4	2" PVC socket	5" Round, Ductile Iron
C223-30-R-4	3" PVC socket	5" Round, Ductile Iron
C224-30-R-4	4" PVC socket	5" Round, Ductile Iron
C222-31-R-1	2" ABS socket	5" Round, Nickel Bronze
C223-31-R-1	3" ABS socket	5" Round, Nickel Bronze
C224-31-R-1	4" ABS socket	5" Round, Nickel Bronze
C222-31-R-4	2" ABS socket	5" Round, Ductile Iron
C223-31-R-4	3" ABS socket	5" Round, Ductile Iron
C224-31-R-4	4" ABS socket	5" Round, Ductile Iron
C222-R-1	2" No Hub (Cast Iron)	5" Round, Nickel Bronze
C223-R-1	3" No Hub (Cast Iron)	5" Round, Nickel Bronze
C224-R-1	4" No Hub (Cast Iron)	5" Round, Nickel Bronze
C222-R-4	2" No Hub (Cast Iron)	5" Round, Ductile Iron
C223-R-4	3" No Hub (Cast Iron)	5" Round, Ductile Iron
C224-R-4	4" No Hub (Cast Iron)	5" Round, Ductile Iron
C222P-R-1	2" Push On (Cast Iron)	5" Round, Nickel Bronze
C223P-R-1	3" Push On (Cast Iron)	5" Round, Nickel Bronze

MODEL #	OUTLET SIZE	TOP ASSEMBLY DIAMETER & MATERIAL
C224P-R-1	4" Push On (Cast Iron)	5" Round, Nickel Bronze
C222P-R-4	2" Push On (Cast Iron)	5" Round, Ductile Iron
C223P-R-4	3" Push On (Cast Iron)	5" Round, Ductile Iron
C224P-R-4	4" Push On (Cast Iron)	5" Round, Ductile Iron

A1 BODY - HEIGHT CHART			
OUTLET SIZE	PVC (-30), ABS (-31)	NO HUB (STANDARD)	PUSH ON (P)
2"	2 5/8"	3"	3 3/8"
3"	3 1/4"	3"	3 3/8"
4"	3 1/2"	3"	3 3/8"

A4 BODY - HEIGHT CHART			
OUTLET SIZE	PVC (-30), ABS (-31)	NO HUB (STANDARD)	PUSH ON (P)
2"	3 5/8"	4"	4 3/8"
3"	4 5/16"	4"	4 3/8"
4"	4 11/16"	4"	4 3/8"

OPTIONAL VARIATIONS	
SUFFIX	DESCRIPTION
-6	Vandal Proof (H-1039A - 3 pieces)

CALIFORNIA PROPOSITION 65 WARNING. This product contains chemicals known to the State of California to cause cancer and birth defects or other reproductive harm.

Job Name: _____
 Section No: _____
 Schedule No: _____

Page No: _____
 Contractor: _____
 Purchase Order No: _____