

Location: \_\_\_\_\_

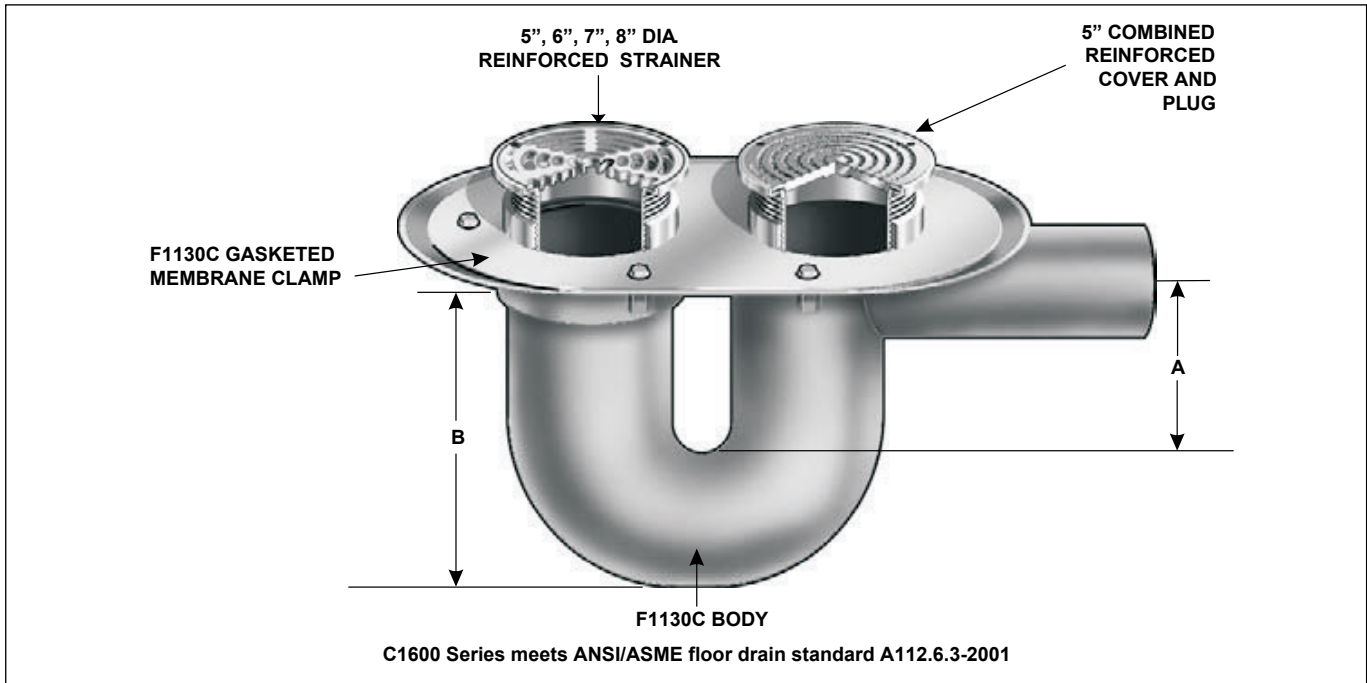


**C1600**

**DEEP SEAL TRAP WITH FLOOR CLEANOUT**

**Specification:** MMIFAB C1600 Series (specify strainer size) deep seal trap cleanout with floor drain strainer, gasketed membrane clamp and side outlet.

**Function:** Used as a combination floor drain and floor cleanout for access to drainage lines in areas where the floor drain and cleanout are required to be located close together. The membrane clamp is gasketed for a watertight seal and the cover is water and gas tight.



MODEL NUMBER	PIPE SIZE	STRAINER SIZE	STRAINER ADJUSTMENT		ANSI/ASME LOAD RATING STRAINER AND CLEANOUT MATERIAL		
			MIN	MAX	N.B. (-1) Lbs.	S.S. (-3) Lbs.	D.I. (-4) Lbs.
C1602	2" (51)	5" (127)	1 5/8"	2 5/8"	Up to 4,999	5,000 to 7,499	Special Duty Over 10,000
C1603	3" (76)	6" (152)	1 5/8"	2 5/8"			
C1604	4" (102)	7" (178)	1 5/8"	2 5/8"			
		8" (203)	1 7/8"	2 5/8"			

MODEL NUMBER	PIPE SIZE	A	B
C1602	2" (51) no hub	5 3/8"	13 1/2"
C1603	3" (76) no hub	6"	13 1/2"
C1604	4" (102) no hub	6 1/4"	13 1/2"

Suffix	Description
-1	Nickel bronze strainer and cleanout top
-3	Stainless steel strainer and cleanout top
-4	Ductile iron strainer and cleanout top
-BA	Minimum 51% material cost made in the USA
-PA	Pennsylvania Steel Act compliant product

CALIFORNIA PROPOSITION 65 WARNING. This product contains chemicals known to the State of California to cause cancer and birth defects or other reproductive harm.

Job Name: \_\_\_\_\_ Page No: \_\_\_\_\_  
 Section No: \_\_\_\_\_ Contractor: \_\_\_\_\_  
 Schedule No: \_\_\_\_\_ Purchase Order No: \_\_\_\_\_