

Location: _____

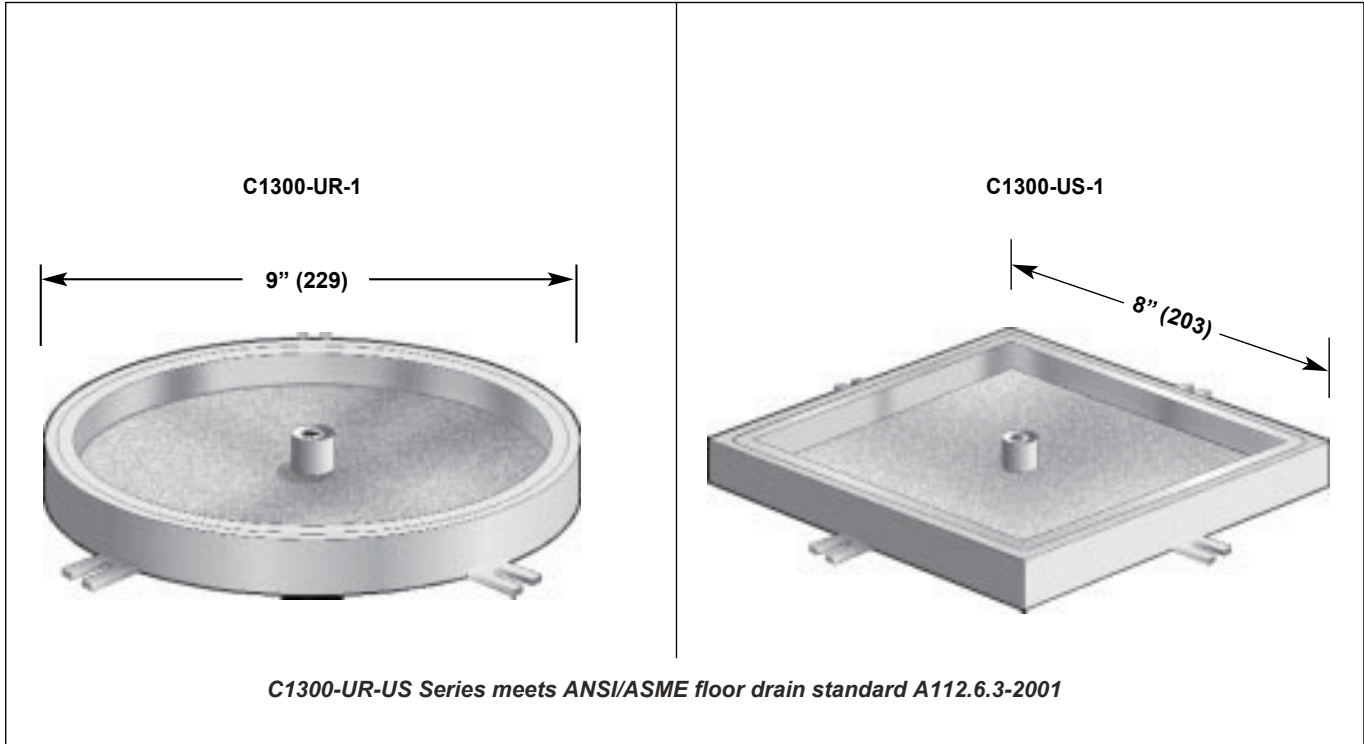


C1300-UR/US

FLOOR ACCESS COVERS RECESSED FOR TERRAZZO

Specification: MIFAB C1300-____ (select model number: C1300-UR for round terrazzo, C1300-US for square terrazzo) nickel bronze recessed access cover with nickel bronze frame, anchor lugs, and vandal resistant stainless steel screw(s).

Function: Used in finished floors to provide emergency access to plumbing lines for removal of blockages. Recessed cover provides area for floor tile to be installed. Anchor tabs provide a means to secure frame to the sub floor.



MODEL NUMBER	DESCRIPTION
C1300-UR-1	9" round terrazzo recessed access cover
C1300-US-1	8" x 8" terrazzo recessed access cover

Suffix	Description
-6	Security screws (TR25 Torx & pin)
-BA	Minimum 51% material cost made in the USA
-PA	Pennsylvania Steel Act compliant product

CALIFORNIA PROPOSITION 65 WARNING. This product contains chemicals known to the State of California to cause cancer and birth defects or other reproductive harm.

Job Name: _____	Page No: _____
Section No: _____	Contractor: _____
Schedule No: _____	Purchase Order No: _____