

Location: _____

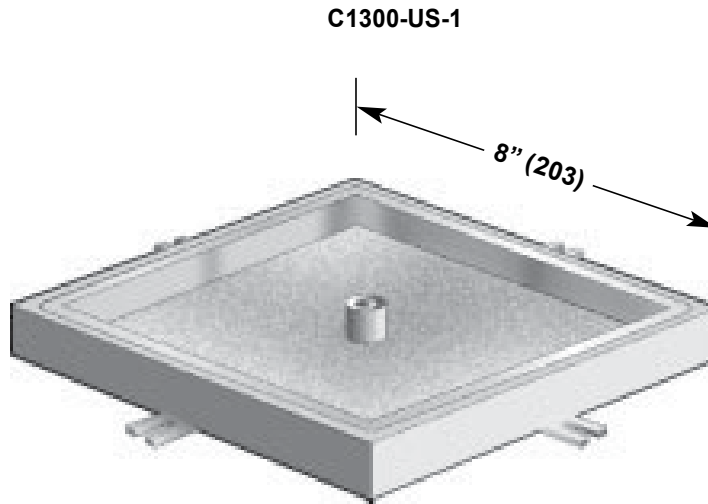


C1300-US

**FLOOR ACCESS COVER RECESSED
FOR TERRAZZO**

Specification: MIFAB C1300-US nickel bronze recessed access cover with nickel bronze frame, anchor lugs, and vandal resistant stainless steel screw(s).

Function: Used in finished floors to provide emergency access to plumbing lines for removal of blockages. Recessed cover provides area for floor tile to be installed. Anchor tabs provide a means to secure frame to the sub floor.



C1300-US meets ANSI/ASME floor drain standard A112.6.3-2001

MODEL NUMBER	DESCRIPTION
C1300-US-1	8" x 8" terrazzo recessed access cover

-6	Security screws (TR25 Torx & pin)
-BA	Minimum 51% material cost made in the USA
-PA	Pennsylvania Steel Act compliant product

CALIFORNIA PROPOSITION 65 WARNING. This product contains chemicals known to the State of California to cause cancer and birth defects or other reproductive harm.

Job Name: _____ Page No: _____
Section No: _____ Contractor: _____
Schedule No: _____ Purchase Order No: _____