

Location: _____



BV

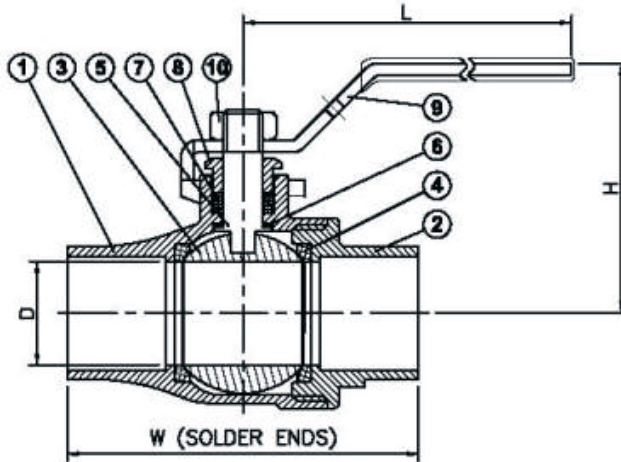
BRONZE BALL VALVES

Specification: The Beeco Full Port Ball Valve is a two piece Bronze Ball Valve with a chrome plated ball. The valve has a blow out proof stem with adjustable packing. Its full port design eliminates the significant pressure losses caused by standard reduced port valves.

Function: The Beeco Full Port Ball Valve is used in commercial and industrial applications on a wide variety of liquids and gases.

Features: Each valve is 100 percent factory tested; standard options are locking handle, Stainless Steel Handle and stainless steel handle nut. Blow out proof pressure retaining stem, adjustable stem packing, heavy duty handle with slip resistant vinyl insulator.

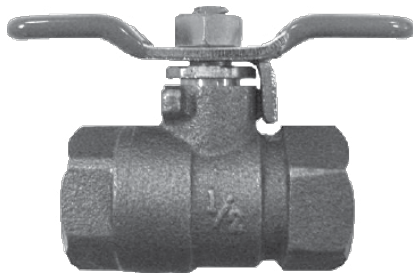
Ratings: 600 WOG and and 150 SWP. Conforms to Federal Specification WW-V-35, Type II class A, Style 3 & MSS SP-110. Temperature Range 0° F to 180° F.



MATERIALS LIST:

No.	Part	Specification
1	Body	Low Lead Bronze ASTM B584 C8788
2	Cap	Low Lead Bronze ASTM B584 C8788
3	Ball	Copper Alloy, Chrome Plated
4	Seat	PTFE
5	Stem	Copper Alloy
6	Thrust Washer	PTFE
7	Packing	PTFE
8	Gland	Copper Alloy
9	Handle	Carbon Steel Plated
10	Nut	Carbon Steel Plated

Model No. IPS x IPS	Size	D	Threaded Ends (W)	Solder Ends (W)	H	L	Model No. SWT x SWT
BV.50-IPS-BRZ	1/2" (13)	0.50" (12.7)	2.11" (53.7)	2.09" (53.0)	1.96" (41.0)	3.54" (92.5)	BV.50-SWT-BRZ
BV.75-IPS-BRZ	3/4" (19)	0.75" (19.0)	2.39" (60.6)	2.83" (72.0)	2.14" (54.0)	3.54" (92.5)	BV.75-SWT-BRZ
BV1.00-IPS-BRZ	1" (25)	1.00" (25.0)	2.90" (73.6)	3.45" (87.6)	2.52" (64.1)	4.39" (111.5)	BV1.00-SWT-BRZ
BV1.25-IPS-BRZ	1 1/4" (32)	1.25" (30.5)	3.30" (83.8)	3.87" (96.2)	2.68" (71.5)	4.39" (111.5)	BV1.25-SWT-BRZ
BV1.50-IPS-BRZ	1 1/2" (40)	1.50" (38.0)	3.63" (92.2)	4.46" (113.2)	3.16" (81.8)	5.10" (155.0)	BV1.50-SWT-BRZ
BV2.00-IPS-BRZ	2" (51)	2.00" (51.0)	4.15" (105.5)	5.51" (140.0)	3.54" (100.8)	5.10" (155.0)	BV2.00-SWT-BRZ



SUFFIX	OPTIONAL VARIATIONS
-LH	Locking Handles
-LL	Locking Handles
-SH	Stainless Steel Handles
-TH	Tee handle (1.00" to 2.00" only) Standard on .50 and .75

CALIFORNIA PROPOSITION 65 WARNING. This product contains chemicals known to the State of California to cause cancer and birth defects or other reproductive harm.

Job Name: _____ Page No: _____
 Section No: _____ Contractor: _____
 Schedule No: _____ Purchase Order No: _____

MIFAB reserves the right to make changes in material and design without formal notice and obligation.

USA: 1-800-465-2736 www.mifab.com CAN: 1-800-387-3880