

Location: _____

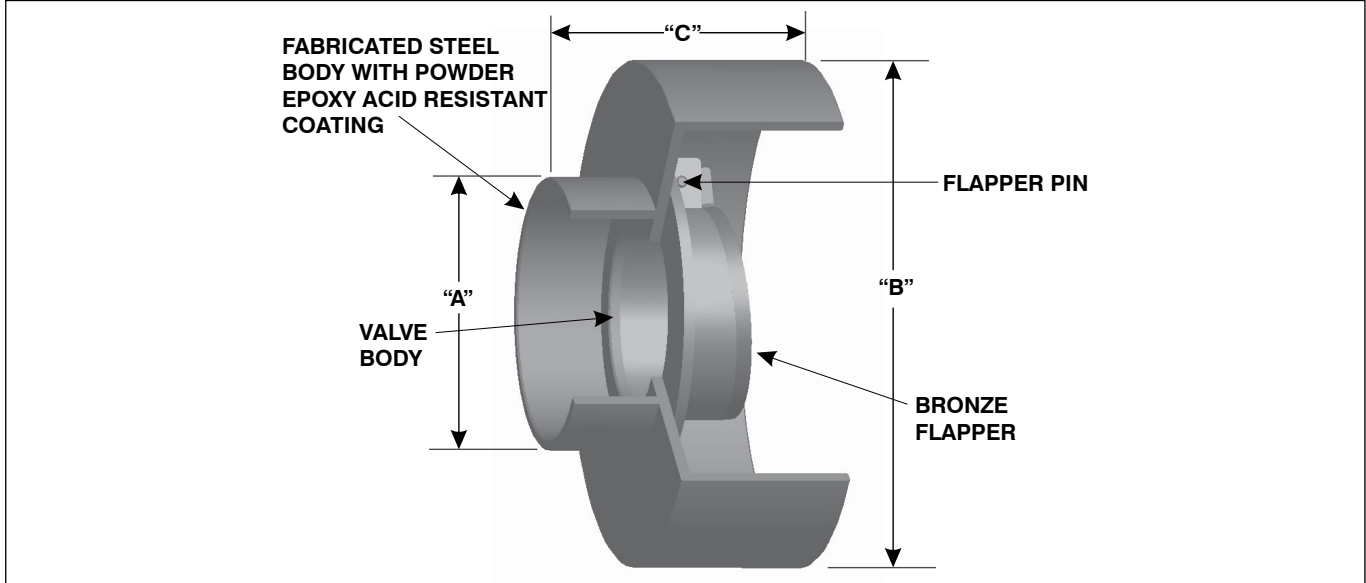


BV1280

TERMINAL VALVE

Specification: MIFAB® BV1280 Series fabricated 10 gauge powder epoxy, acid resistant coated steel terminal valve with PVC flapper.

Function: The BV1280 terminal valve is used at the end of sewer lines to prevent backflow into areas that require draining.



Note: The BV1280 terminal valve is used at the end of sewer lines to prevent backflow into areas that require draining.

MODEL NUMBER	WEIGHT (Lbs.)	"A" PIPE SIZE	"B" DIAMETER (No Hub Connection)	"C" LENGTH
BV1282	10	2"	6 ¼"	5 ¼"
BV1283	12	3"	8"	5 ½"
BV1284	15	4"	9"	5 ¾"
BV1285	20	5"	11 ½"	6"
BV1286	28	6"	11 ½"	6"
BV1288	42	8"	13 ½"	6 ¾"
BV1280-10	58	10"	15 ¾"	7 ¾"
BV1280-12	80	12"	17 ½"	8 ¾"
BV1280-16	120	16"	26 ¼"	16 ½"
BV1280-18	140	18"	26 ¼"	16"

SUFFIX	OPTIONAL VARIATIONS
-BA	Minimum 51% material cost made in the USA
-PA	Pennsylvania Steel Act compliant product

CALIFORNIA PROPOSITION 65 WARNING. This product contains chemicals known to the State of California to cause cancer and birth defects or other reproductive harm.

Job Name: _____ Page No: _____
 Section No: _____ Contractor: _____
 Schedule No: _____ Purchase Order No: _____