

Location: \_\_\_\_\_

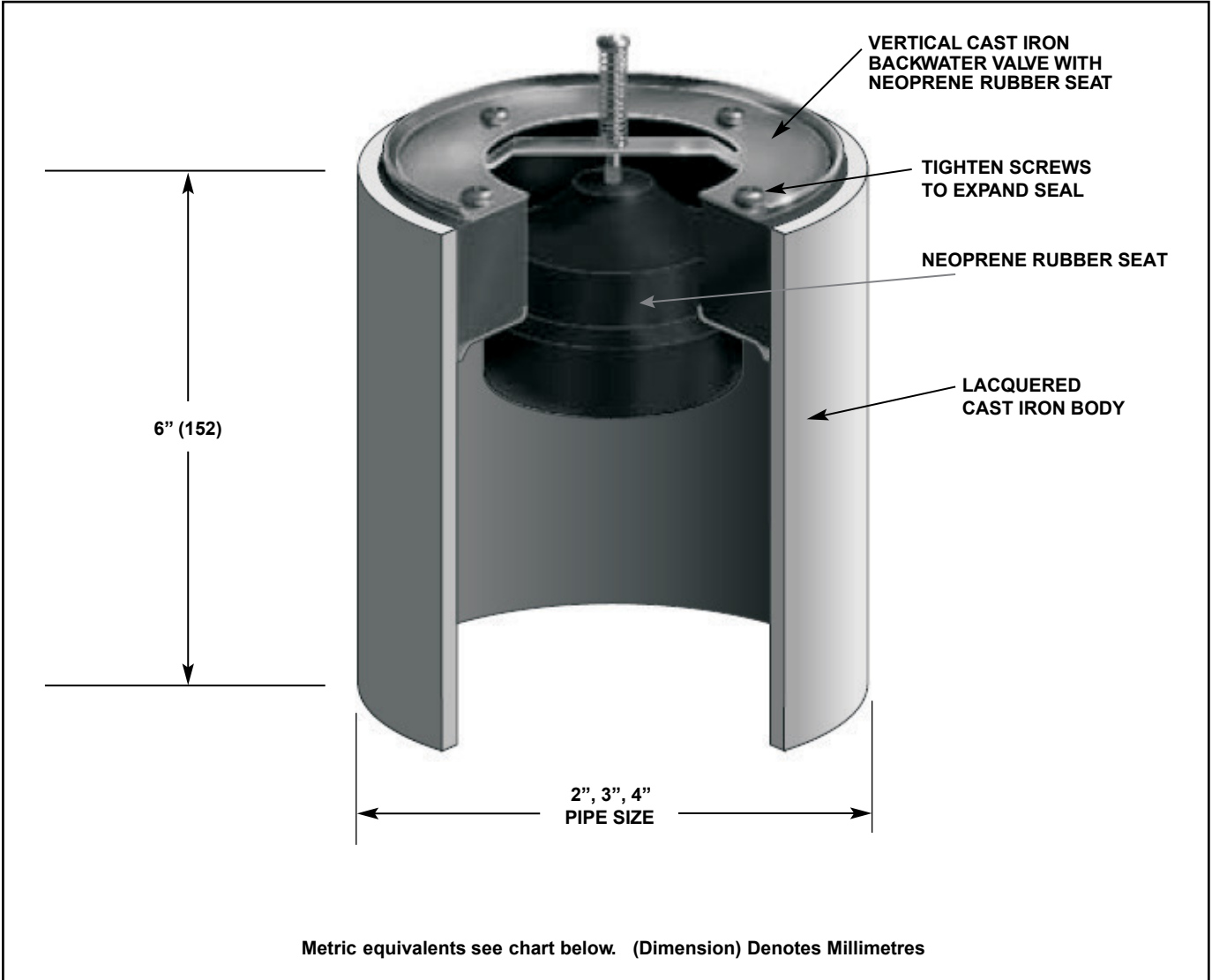


**BV1260**

**VERTICAL CAST IRON BACKWATER VALVE WITH NEOPRENE SEAT**

**Specification:** MIFAB® Series BV1260 lacquered vertical cast iron backwater valve with neoprene rubber seat.

**Function:** Typically installed within the piping system directly under MIFAB's various floor drain bodies. Their function is to revert backflow of water from the plumbing line up through the strainer.



SUFFIX	OPTIONAL VARIATIONS
-13	All galvanized
-BA	Minimum 51% material cost made in the USA
-PA	Pennsylvania Steel Act compliant product

CALIFORNIA PROPOSITION 65 WARNING. This product contains chemicals known to the State of California to cause cancer and birth defects or other reproductive harm.

Job Name: \_\_\_\_\_ Page No: \_\_\_\_\_  
Section No: \_\_\_\_\_ Contractor: \_\_\_\_\_  
Schedule No: \_\_\_\_\_ Purchase Order No: \_\_\_\_\_