

Location: _____

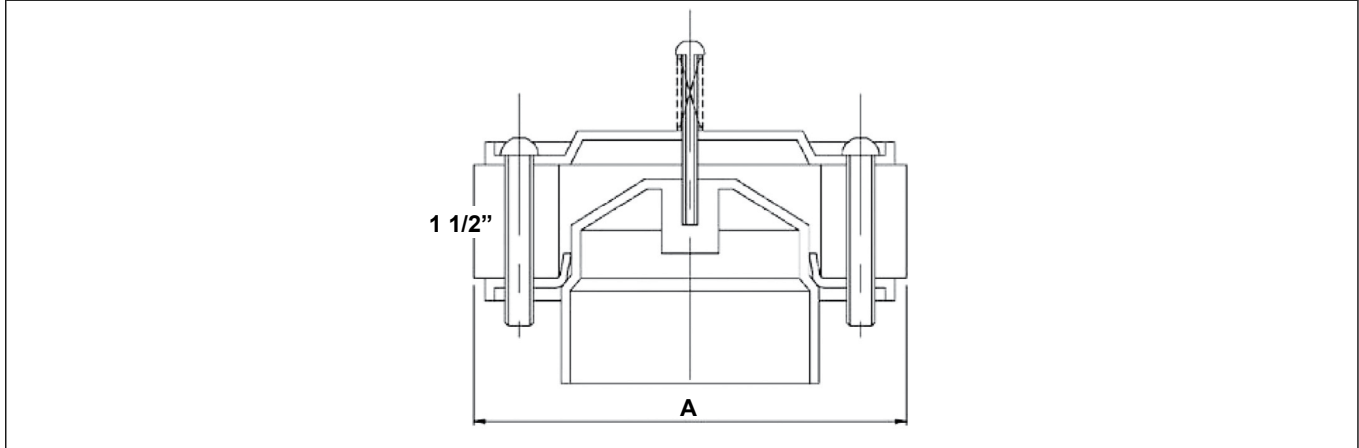
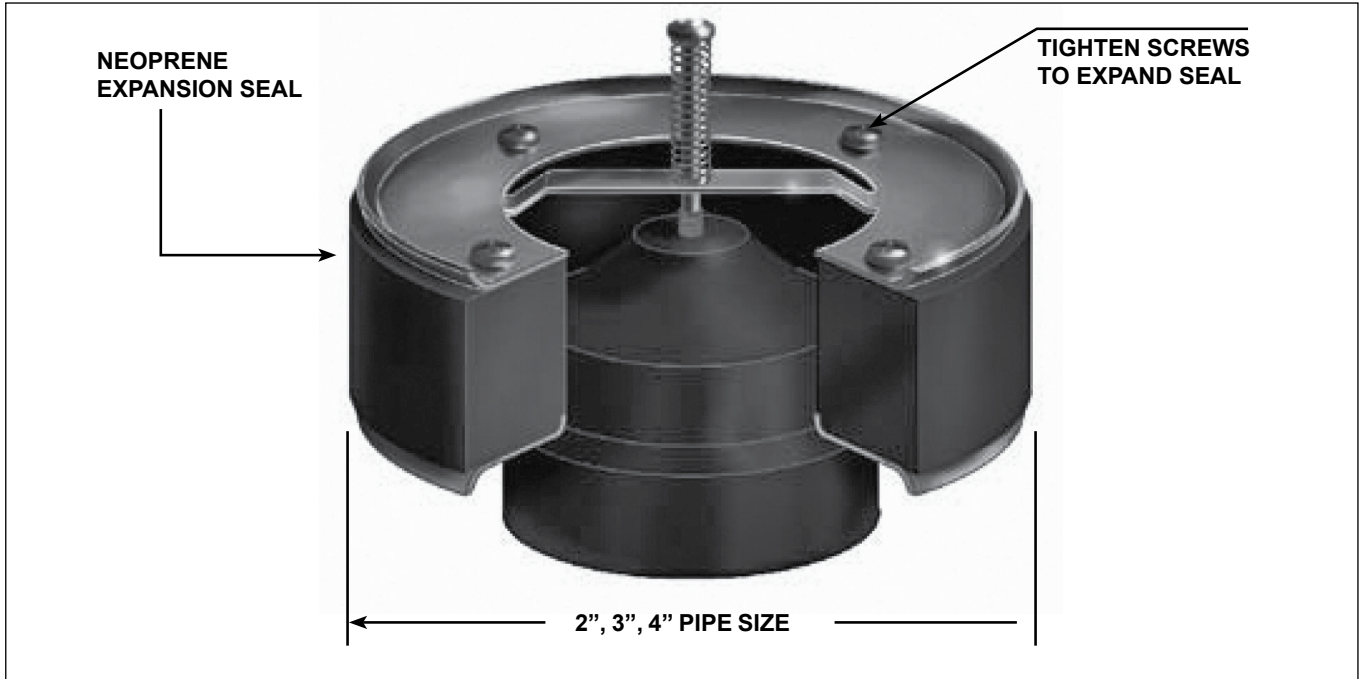


BV1250

**BACKWATER VALVE
WITH NEOPRENE SEAT**

Specification: MIFAB® Series BV1250 backwater valve with neoprene rubber seat.

Function: Typically installed inside the no hub outlet connections of MIFAB's various drain bodies or the inside of MIFAB's various floor drain strainers (BV1254 only). Their function is to prevent backflow of water from the plumbing line up through the strainer.



MODEL NO.	PIPE SIZE "A"	WEIGHT (LBS.)
BV1252	4 1/8" (105)	3 1/4" (82)
BV1253	4 1/8" (105)	3 1/4" (82)
BV1254	4 1/8" (105)	3 1/4" (82)

CALIFORNIA PROPOSITION 65 WARNING. This product contains chemicals known to the State of California to cause cancer and birth defects or other reproductive harm.

Job Name: _____
Section No: _____
Schedule No: _____

Page No: _____
Contractor: _____
Purchase Order No: _____