

Location: _____

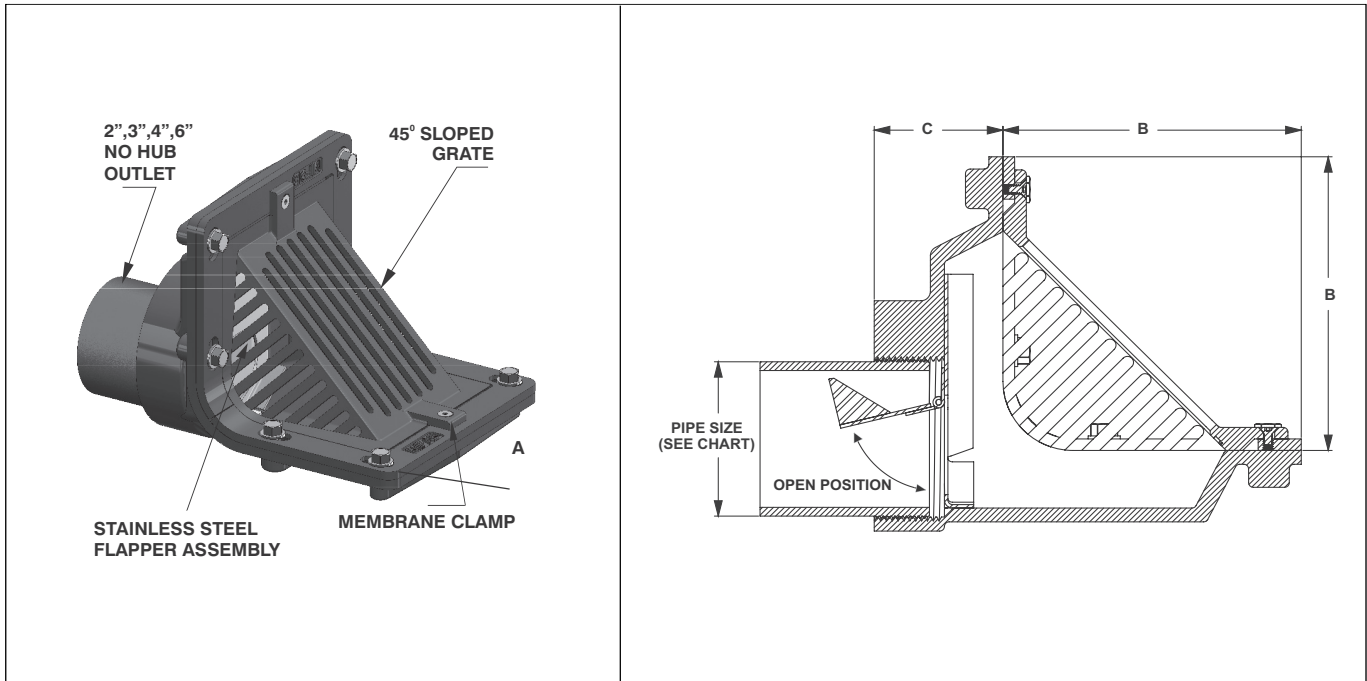


BV1210

CAST IRON ANGLE PIT DRAIN WITH BACKWATER VALVE

Specification: MIFAB® Series BV1210 lacquered cast iron angle pit drain with removable backwater valve and seat.

Function: Typically installed in the base of side walls in pits where a low installation location requires a top inlet grate and horizontal outlet. The backwater valve is designed to prevent backflow back into the drain line.



MODEL NUMBER	PIPE SIZE	"A"	"B"	"C"	WEIGHT (LBS.)
BV1212, 3, 4	2", 3", 4, No hub	7 1/2" (191)	6 3/8" (162)	2 3/4" (70)	45.00
BV1216	6" No hub	12 1/2" (318)	8 3/8" (213)	3 1/2" (89)	5.00

SUFFIX	OPTIONAL VARIATIONS
-1	Nickel bronze frame and cover
-6	Vandal proof grate
-13	All galvanized
-83	Stainless steel mesh screen
-BA	Buy American Act compliant product
-PA	Pennsylvania Steel Act compliant product
T	Threaded outlet (except 6")

CALIFORNIA PROPOSITION 65 WARNING. This product contains chemicals known to the State of California to cause cancer and birth defects or other reproductive harm.

Job Name: _____ Page No: _____
 Section No: _____ Contractor: _____
 Schedule No: _____ Purchase Order No: _____