

Location: \_\_\_\_\_

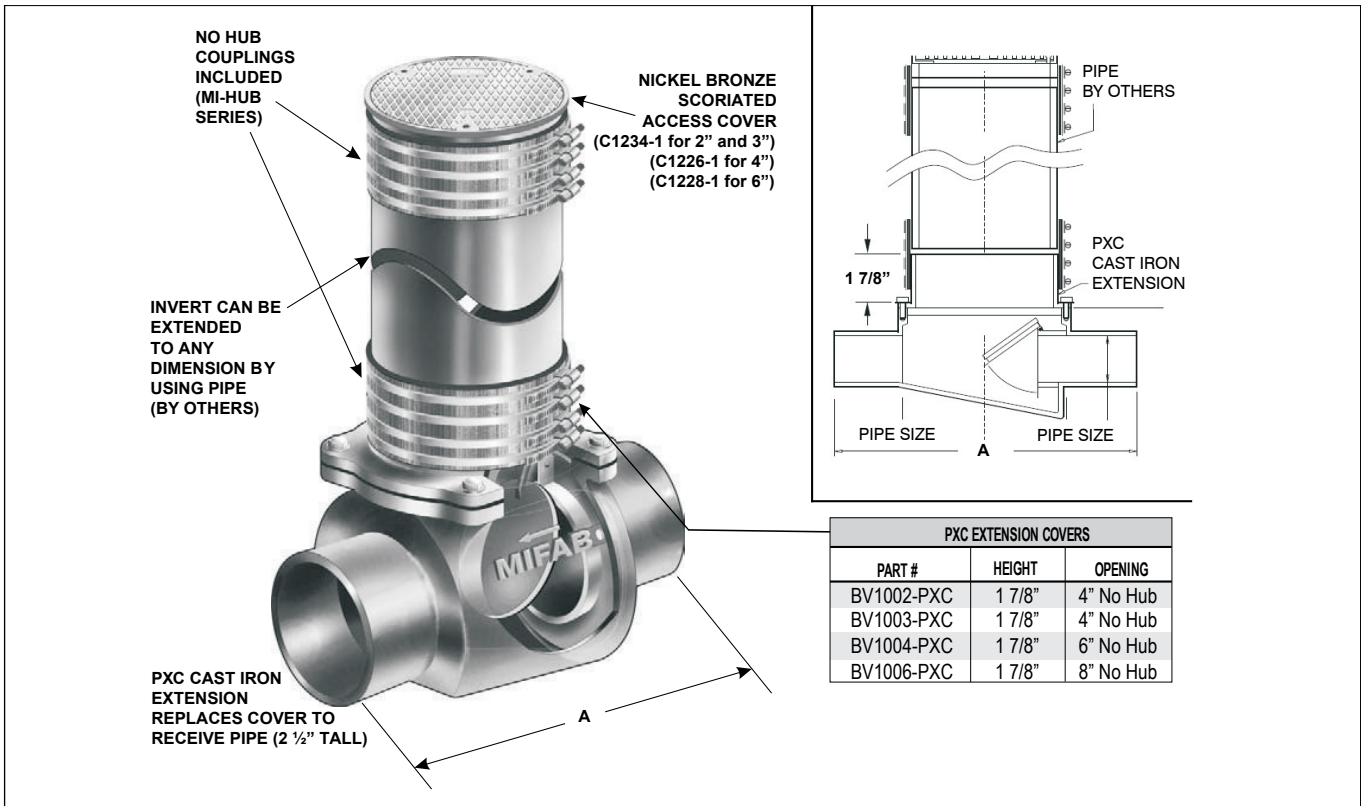


**BV1200-R**

**BACKWATER VALVE WITH FLAPPER AND NICKEL BRONZE ACCESS COVER**

**Specification:** MIFAB® Series BV1200-R backwater valve with no hub inlet and outlet, gasketed bolted cover, automatic flapper type backwater valve, lacquered cast iron extension to receive pipe extension (by others) and nickel bronze scoriated access cover.

**Function:** Used in main branch or sewer lines to prevent backflow from the sewers. Full opening access through cover to the flapper assembly for repair and maintenance. Cast iron extension piece and nickel bronze floor access cover provide means with an extension pipe (by others) to raise the access cover to whatever height is required.



PXC EXTENSION COVERS		
PART #	HEIGHT	OPENING
BV1002-PXC	1 7/8"	4" No Hub
BV1003-PXC	1 7/8"	4" No Hub
BV1004-PXC	1 7/8"	6" No Hub
BV1006-PXC	1 7/8"	8" No Hub

**Note:** Do not use for pressurized applications; for gravity flow only. Backflow protection is prevented when the valve is obstructed by debris or sludge; clean regularly.

Tested and Certified to ASME Standard A112.14.1 and listed with IAPMO.

MODEL NUMBER	DESCRIPTION	PIPE SIZE	LENGTH "A"
BV1202-R-1	Cast iron body, PVC flapper	2" (51)	10 3/4" (273)
BV1203-R-1	Cast iron body, PVC flapper	3" (76)	11 3/4" (298)
BV1204-R-1	Cast iron body, stainless steel flapper	4" (102)	12 3/4" (324)
BV1206-R-1	Cast iron body, stainless steel flapper	6" (152)	14 3/4" (375)

SUFFIX	OPTIONAL VARIATIONS
-13	All Galvanized
-BA	Buy America Act compliant product
-HS	Hub and spigot connection on inlet only
-PA	Pennsylvania Steel Act compliant product

CALIFORNIA PROPOSITION 65 WARNING. This product contains chemicals known to the State of California to cause cancer and birth defects or other reproductive harm.

Job Name: \_\_\_\_\_ Page No: \_\_\_\_\_  
 Section No: \_\_\_\_\_ Contractor: \_\_\_\_\_  
 Schedule No: \_\_\_\_\_ Purchase Order No: \_\_\_\_\_