

Location: _____

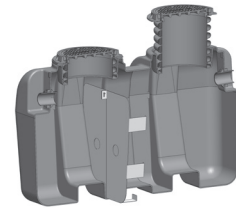
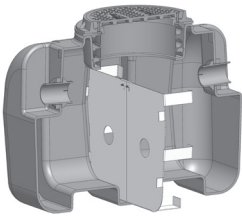


BIG-S

Big Max® – HDPE Solids Interceptors

Specification: MIFAB® Series BIG-____-S HDPE rotational molded solids interceptor with solids holding capacity of _____ (indicate). Unit shall include: 3/8" uniform wall thickness, solids retention baffle with elevated 3" diameter passageway, adjustable lid system, sample port access and 4" no hub inlet and outlet connections. Steel encased composite lid provides a water / gas tight seal and has a minimum of 20,000 lbs. load capacity. The lid is designed in accordance with the loading requirements of AASHTO H20. For indoor/outdoor use.

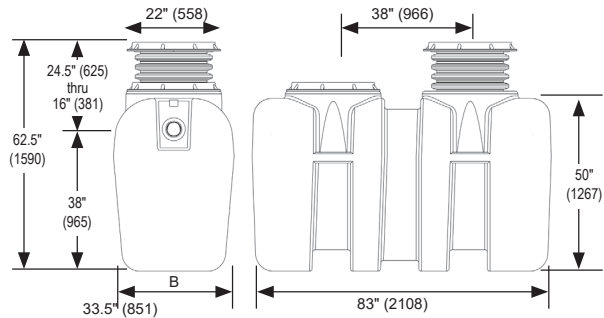
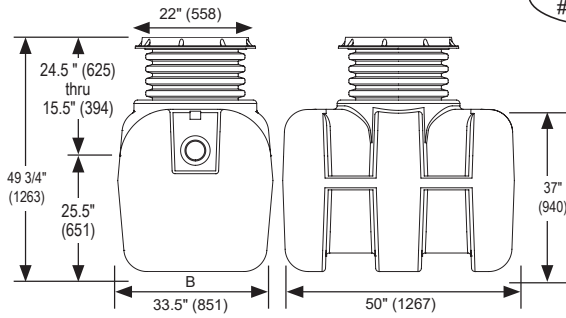
Function: Solids interceptors are required anywhere that solids may be introduced into the public sewer system in applications such as: barber shops, dentist offices, salons, artist studios, laundry facilities, machine shops, food waste, parking lots, car washes, food processing, livestock and agricultural drainage. These wastes must be separated before entering the sewer system. Ideally installed between the fixtures and the grease interceptor in restaurants, kitchens, institution industrial facilities such as food processing and packaging plants and other types of food processing areas where fat, oil and grease (FOG) drains with the waste water. Sediment and debris are collected inside of the internal sediment bucket to ensure that this matter does not clog the grease interceptor. Typically installed either on or into the floor. Narrow width permits access through doorways and down stairwells. High Density Polyethylene construction ensures a lightweight installation process (two people can move and install it). Regular maintenance is required to keep the interceptor functioning. All Big Max interceptors can withstand a temperature of up to and including 180 degrees Fahrenheit.



BIG-140-S

U.S. Patent # 9,551,142

BIG-300-S



Model No.	Solids Holding Capacity (Gallons)	B Width	Shipping Weight (Lbs.)	List Price
BIG-140-S	140	33.50"	165	\$4,881.00
BIG-300-S	300	33.50"	290	\$7,717.00

Suffix	Description	Model No.
-AK	Anchor kit (set of four) - for BIG-140-S	BIG-750-AK-SET
-AK	Anchor kit (set of four) - for BIG-300-S	BIG-1150-AK-SET
-C	Lid extension (specify "C" dimension req.) - for BIG-140-S (This is up to a 44" high extension system)	BIG-EXT-44
-C	Lid extension (specify "C" dimension req.) - for BIG-300-S (This is up to a 44" high extension system)	BIG-EXT-44 (2 pcs req.)
-C+	Lid extension from 44" to 72" (specify "C" dimension req.) For BIG-140-S. Per inch price.	BIG-EXT-72
-C+	Lid extension from 44" to 72" (specify "C" dimension req.) For BIG-300-S. Per inch price.	BIG-EXT-72 (2 pcs req.)
-DI	Ductile Iron lid and collar - for BIG-140-S	BIG-PL4
-DI	Ductile Iron lid and collar - for BIG-300-S	BIG-PL4 (2 pcs req.)
-EP	Enzyme port	BIG-EP
-F6	6" no hub inlet + outlet-(for each piece-2 pcs req. per int.)	BIG-PF6
-FL-C	Membrane clamp kit	BIG-FLC
-HLA	High level alarm and float switch (to be installed on site)	BIG-HLA
-LHSI	4" no hub inlet on left hand side	BIG-PF4
-LHSO	4" no hub outlet on left hand side	BIG-PF4
-RHSI	4" no hub inlet on right hand side	BIG-PF4
-RHSO	4" no hub outlet on right hand side	BIG-PF4
-RPO	4" Remote pump outlet connections on top of interceptor - specify location and number required	BIG-RPO
-SP	External Sampling port - inline, high connections	BIG-SP
-SP-L	External Sampling port - inline, low connections	BIG-SP-L
-SP-OF	External Sampling port - offset	BIG-SP-OF
-T	Female threaded connections (for each piece-2 pcs req. per int.)	BIG-PF(*)-FT(*) (*) Specify Conn. Size

CALIFORNIA PROPOSITION 65 WARNING. This product contains chemicals known to the State of California to cause cancer and birth defects or other reproductive harm.

Job Name: _____ Page No: _____
 Section No: _____ Contractor: _____
 Schedule No: _____ Purchase Order No: _____