

Location: \_\_\_\_\_

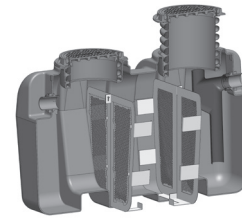
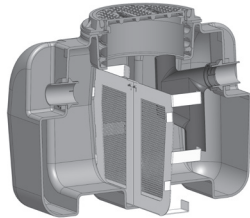


**BIG-R**

**Big Max® – HDPE Rice Interceptors**

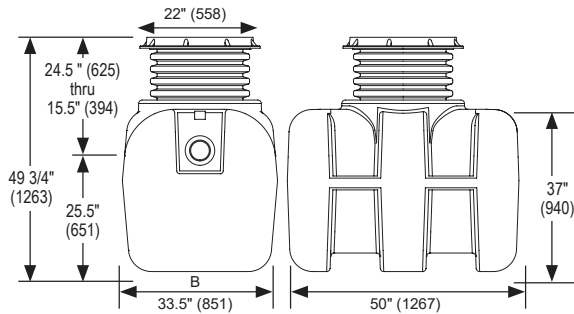
**Specification:** MIFAB® Series BIG- \_\_\_\_ -R HDPE rotational molded rice interceptor with liquid holding capacity of \_\_\_\_ (indicate) gallons. Unit shall include: dual strainer baffles with ¼" perforations, deep seal trap covered by lid, adjustable lid system, sample port access and 4" no hub inlet and outlet connections. Steel encased composite lid provides a water / gas tight seal and has a minimum of 20,000 lbs. load capacity. The lid is designed in accordance with the loading requirements of AASHTO H20. For indoor/outdoor use.

**Function:** Used in food processing plants and restaurant facilities that have a lot of rice to receive waste water. The rice interceptor will filter out rice from the fixture waste line before entering the pipe system to reduce clogging and improve performance. Typically installed either on or into the floor. Narrow width permits access through doorways and down stairwells. High Density Polyethylene construction ensures a lightweight installation process (two people can move and install it). Regular maintenance is required to keep the interceptor functioning. All Big Max interceptors can withstand a temperature of up to and including 180 degrees Fahrenheit.

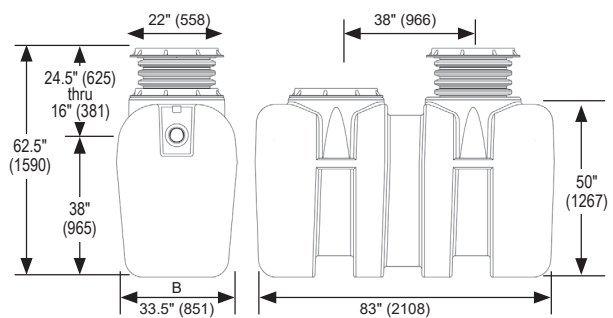


U.S. Patent # 9,551,142

**BIG-140-R**



**BIG-300-R**



Model No.	Liquid Holding Capacity (Gallons)	B Width	Shipping Weight (Lbs.)	List Price
<b>BIG-140-R</b>	140	33.50"	165	<b>\$4,605.00</b>
<b>BIG-300-R</b>	300	33.50"	290	<b>\$7,280.00</b>

Suffix	Description	Model No.
-AK	Anchor kit (set of four) - for BIG-140-R	BIG-750-AK-SET
-AK	Anchor kit (set of four) - for BIG-300-R	BIG-1150-AK-SET
-C	Lid extension (specify "C" dimension req.) - for BIG-140-R (This is up to a 44" high extension system)	BIG-EXT-44
-C	Lid extension (specify "C" dimension req.) - for BIG-300-R (This is up to a 44" high extension system)	BIG-EXT-44 (2 pcs req.)
-C+	Lid extension from 44" to 72" (specify "C" dimension req.) For BIG-140-R, Per inch price.	BIG-EXT-72
-C+	Lid extension from 44" to 72" (specify "C" dimension req.) For BIG-300-R, Per inch price.	BIG-EXT-72 (2 pcs req.)
-DI	Ductile Iron lid and collar - for BIG-140-R	BIG-PL4
-DI	Ductile Iron lid and collar - for BIG-300-R	BIG-PL4 (2 pcs req.)
-F6	6" no hub inlet + outlet-(for each piece-2 pcs req. per int.)	BIG-PF6
-FL-C	Membrane clamp kit	BIG-FLC
-LHSI	4" no hub inlet on left hand side	BIG-PF4
-LHSO	4" no hub outlet on left hand side	BIG-PF4
-RHSI	4" no hub inlet on right hand side	BIG-PF4
-RHSO	4" no hub outlet on right hand side	BIG-PF4
-RPO	4" Remote pump outlet connections on top of interceptor - specify location and number required	BIG-RPO
-SP	External Sampling port - inline, high connections	BIG-SP
-SP-L	External Sampling port - inline, low connections	BIG-SP-L
-SP-OFF	External Sampling port - offset	BIG-SP-OFF
-T	Female threaded connections (for each piece-2 pcs req. per int.)	BIG-PF(*)-FT(*) (*) Specify Conn. Size

CALIFORNIA PROPOSITION 65 WARNING. This product contains chemicals known to the State of California to cause cancer and birth defects or other reproductive harm.

Job Name: \_\_\_\_\_ Page No: \_\_\_\_\_  
 Section No: \_\_\_\_\_ Contractor: \_\_\_\_\_  
 Schedule No: \_\_\_\_\_ Purchase Order No: \_\_\_\_\_