

Location: \_\_\_\_\_



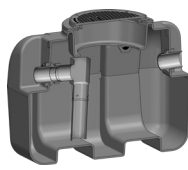


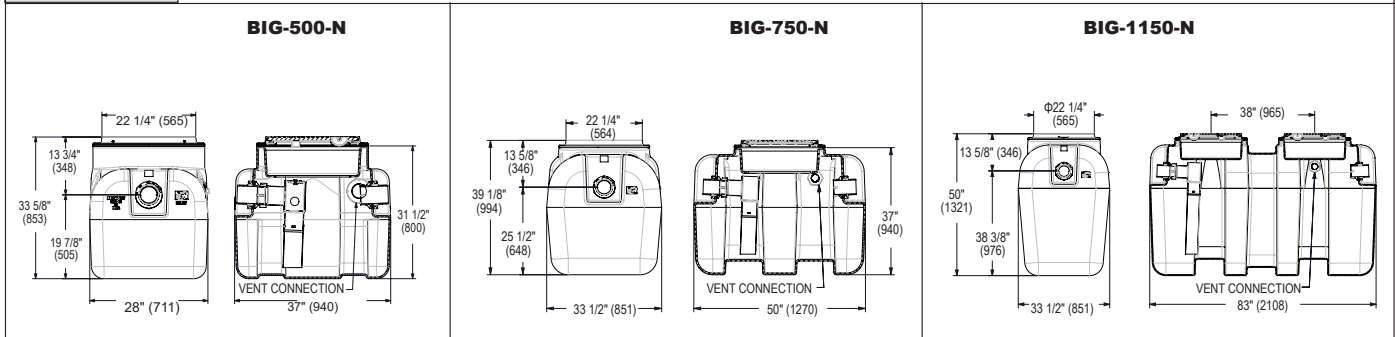
**BIG-N**

**Big Max® – HDPE  
Acid Neutralization Interceptors**

**Specification:** MIFAB® Series BIG- \_\_\_\_ -N HDPE rotational molded acid neutralization interceptor with a holding capacity of \_\_\_\_ (indicate). Unit shall include: 3/8" uniform wall thickness, sample port access, deep seal inlet diffuser, and 4" no hub inlet and outlet connections. Pickable ductile iron lid with gasket provides a water / gas tight seal and has a minimum of 20,000 lbs. load capacity. The lid is designed in accordance with the loading requirements of AASHTO H20.

**Function:** Function: Used in laboratories, industrial processes, chemical treatment plants, municipal water treatment facilities and/or other polluting sources to dilute and neutralize harmful wastes that may be discharged. Limestone chips (provided by others) are required to be placed inside of the acid neutralization tank to neutralize the acidic water.

<p><b>NOTE:</b></p> <p>Composite lids with a 2,000 lb. load rating are available.</p> <p>Suffix -PL - No Add.</p>	 			 <p>Illustrated with Direct Connect lid (Standard)</p>
---	--	---	---	---



Model No.	LIQUID CAP. (Gallons / Cu. Ft.)	FLOW RATE (GPM)	Width	Shipping Weight (Lbs.)
BIG-500-N	55 / 7.19	250	28.00"	92
BIG-750-N	140 / 18.30	250	33.50"	165
BIG-1150-N	300 / 39.21	250	33.50"	290

SUFFIX	OPTIONAL VARIATIONS	PART NO.
-AK	Anchor kit (set of two) for BIG-500-N	BIG-500-AK-SET
-AK	Anchor kit (set of two) for BIG-750-N	BIG-750-AK-SET
-AK	Anchor kit (set of two) for BIG-1150-N	BIG-1150-AK-SET
-C	Lid Extension - up to 44" high - for BIG-500-N and BIG-750-N	BIG-750-EXT-44
-C	Lid Extension - up to 72" high - for BIG-500-N and BIG-750-N	BIG-750-EXT-72
-C	Lid Extension - up to 94" high - for BIG-500-N and BIG-750-N	BIG-750-EXT-94
-C	Lid Extension - up to 44" high - for BIG-1150-N	BIG-1150-EXT-44 (2 pcs. Incl.)
-C	Lid Extension - up to 72" high - for BIG-1150-N	BIG-1150-EXT-72 (2 pcs. Incl.)
-C	Lid Extension - up to 94" high - for BIG-1150-N	BIG-1150-EXT-94 (2 pcs. Incl.)
-F6	6" no hub inlet and outlet (2 pcs. Included) (flow rate of 700 GPM with 6" connections)	MI-G-PL-PF6
-FL-C	Membrane clamp kit for BIG-500-N and BIG-750-N	BIG-750-PFLM
-FL-C	Membrane clamp kit for BIG-1150-N (2 pcs. Included)	BIG-1150-PFLM (2 pcs. Included)
-HF	250 GPM flow rate (with 4" connections)	-
-LHSI	No hub inlet on left hand side (not available with sediment bucket) (for Lil Max, Big Max, SuperMax)	MI-G-PL-PF4
-LHSO	No hub outlet on left hand side (not available with sediment bucket) (for Lil Max, Big Max, SuperMax)	MI-G-PL-PF4
-LSC	Limestone Chips Media (50 lb. bag)	MI-LSC
-RHSI	No hub inlet on right hand side (not available with sediment bucket) (for Lil Max, Big Max, SuperMax)	MI-G-PL-PF4
-RHSO	No hub outlet on right hand side (not available with sediment bucket) (for Lil Max, Big Max, SuperMax)	MI-G-PL-PF4
-SP	External sampling port - inline, high connections	BIG-SP
-T	Female threaded connections (2 pcs. Included)	MI-G-PL-PF4T
-V	2" No hub vent connection - specify location and number required	MI-G-PL-PF2

CALIFORNIA PROPOSITION 65 WARNING. This product contains chemicals known to the State of California to cause cancer and birth defects or other reproductive harm.

Job Name: _____	Page No: _____
Section No: _____	Contractor: _____
Schedule No: _____	Purchase Order No: _____