

8

7

6

5

4

3

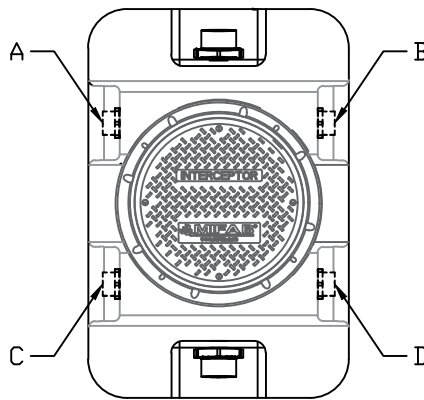
2

1

4"NH VENT CONNECTION
SPECIFY LOCATION DESIRED.
SUFFIX -V*

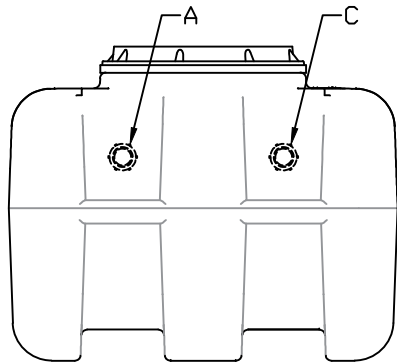
EXAMPLE:
-VB WOULD BE STANDARD 4"NH
VENT CONNECTION ON THE
RIGHT SIDE OF INTERCEPTOR
POSITION "B"

OUTLET SIDE



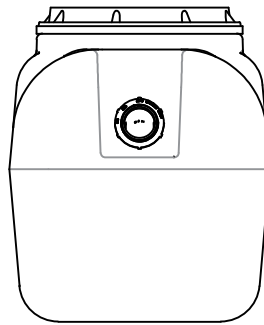
INLET SIDE

OUTLET SIDE



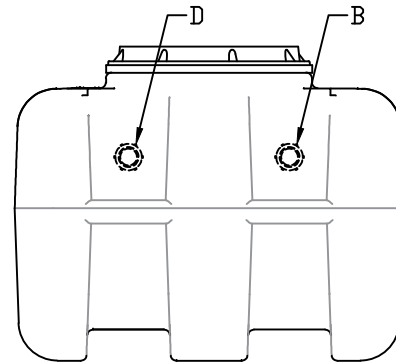
LEFT SIDE

INLET SIDE



INLET SIDE

INLET SIDE



RIGHT SIDE

OUTLET SIDE

PROPRIETARY AND CONFIDENTIAL
THE INFORMATION CONTAINED IN THIS
DRAWING IS THE SOLE PROPERTY OF
MIFAB, INC. ANY REPRODUCTION IN
PART OR AS A WHOLE WITHOUT THE
WRITTEN PERMISSION OF MIFAB, INC. IS
PROHIBITED.

LASER/SHEAR:		UNLESS OTHERWISE SPECIFIED:	NAME	DATE
BRAKE PRESS:		DIMENSIONS ARE IN INCHES	DRAWN	XX
WELDED BY:		TOLERANCES	CHECKED	XX
CLEAN/PAINT:		FRACTIONAL ±1/16	ENG APPR.	
COMPLETED BY:		ANGULAR MACH ±1° BEND ±1°	MFG APPR.	
REVIEWED BY:		TWO PLACE DECIMAL ±.015	QA	
NEXT ASSY	USED ON	THREE PLACE DECIMAL ±.010	QUANTITY:	
		TYPICAL BORE ANGLE 9°	SEE-PO#	
		MATERIAL DESCRIPTION		
		SEE-BOM		
		FINISH PART#		
		XX		
		APPLICATION		
		DO NOT SCALE DRAWING		



TITLE:
BIG-750
VENT POSITION OPTIONS

SIZE DWG. NO. REV
B BIG-750-VENT-CONNECTIONS

SCALE: 1/2 WEIGHT: SHEET 1 OF 3

8

7

6

5

4

3

2

1