

8

7

6

5

4

3

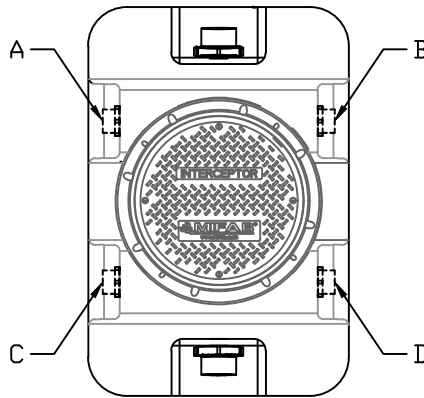
2

1

3" TANK FITTING CONNECTION
SPECIFY LOCATION DESIRED.
SUFFIX -RPO* OR -POK*

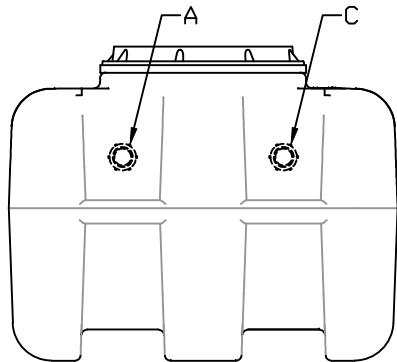
EXAMPLE:
-RPOB (OR -POKB) WOULD BE A 3"
REMOTE PUMP OUT CONNECTION ON
THE RIGHT SIDE OF INTERCEPTOR
POSITION "B"

OUTLET SIDE



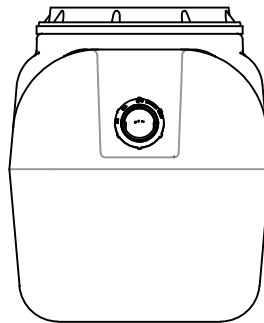
INLET SIDE

OUTLET SIDE



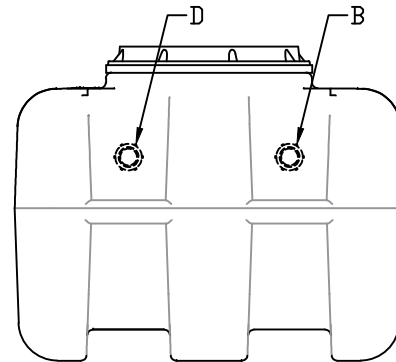
LEFT SIDE

INLET SIDE



INLET SIDE

INLET SIDE



RIGHT SIDE

OUTLET SIDE

PROPRIETARY AND CONFIDENTIAL
THE INFORMATION CONTAINED IN THIS
DRAWING IS THE SOLE PROPERTY OF
MIFAB, INC. ANY REPRODUCTION IN
PART OR AS A WHOLE WITHOUT THE
WRITTEN PERMISSION OF MIFAB, INC. IS
PROHIBITED.

LASER/SHEAR:	
BRAKE PRESS:	
WELDED BY:	
CLEAN/PAINT:	
COMPLETED BY:	
REVIEWED BY:	
NEXT ASSY	USED ON
APPLICATION	

UNLESS OTHERWISE SPECIFIED:	
DIMENSIONS ARE IN INCHES	
TOLERANCES:	
FRACTIONAL	±1/16
ANGULAR	MACH ±1° BEND ±1°
TWO PLACE DECIMAL	±.015
THREE PLACE DECIMAL	±.010
TYPICAL	±.005
MATERIAL DESCRIPTION	
SEE-BOM	
FINISH PART#	
XX	
DO NOT SCALE DRAWING	

NAME	DATE
DRAWN XX	XX
CHECKED	XX
ENG APPR.	
MFG APPR.	
QA	
QUANTITY:	
SEE-PO#	

TITLE: BIG-750 REMOTE PUMP OUT POSITION OPTIONS	
SIZE DWG. NO.	REV
B BIG-750-PUMPOUT-CONNECTIONS	
SCALE: 1/2	WEIGHT:
SHEET 1 OF 3	

8

7

6

5

4

3

2

1