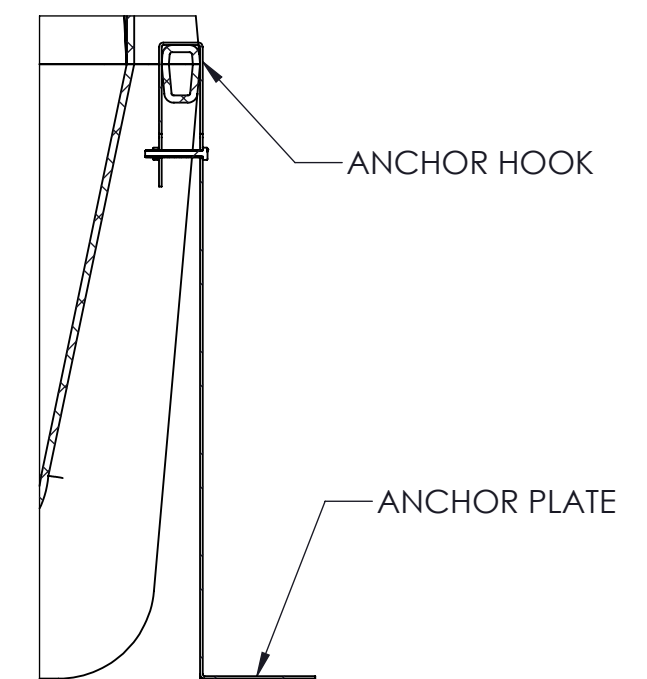
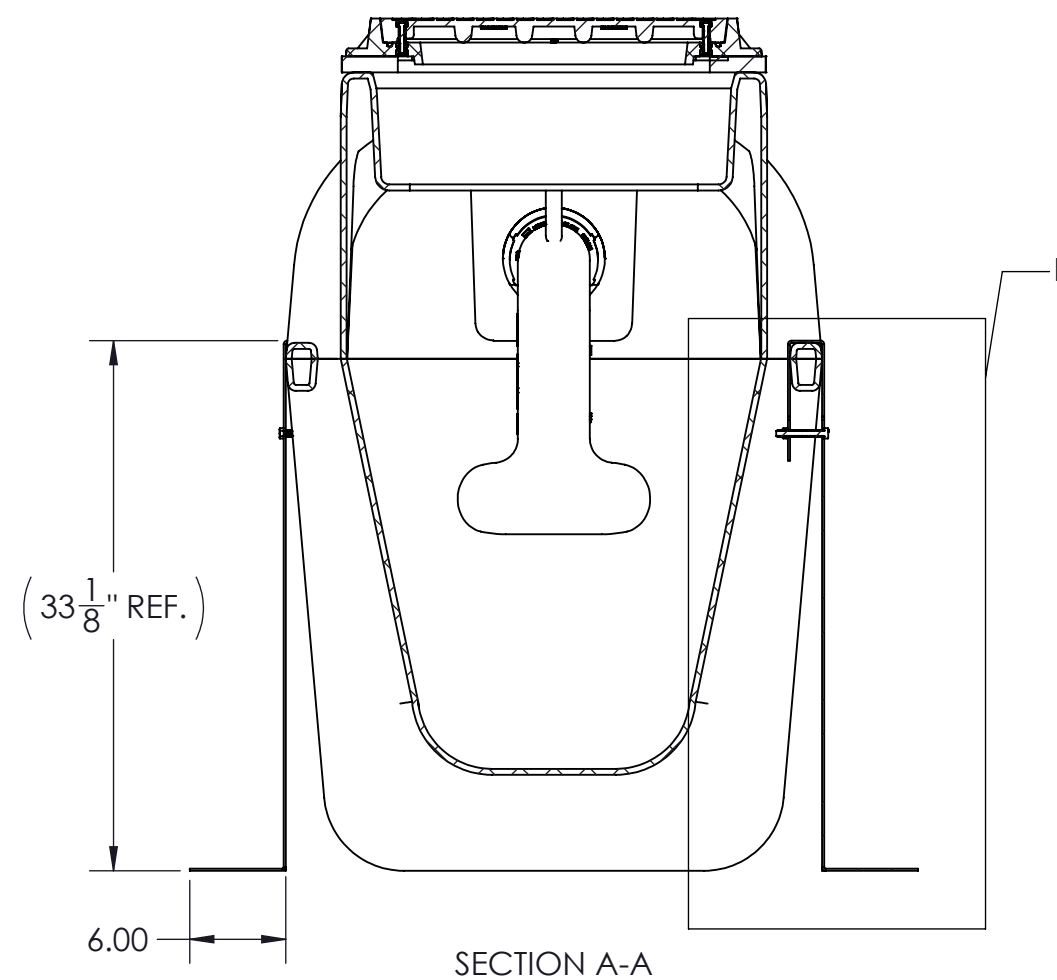
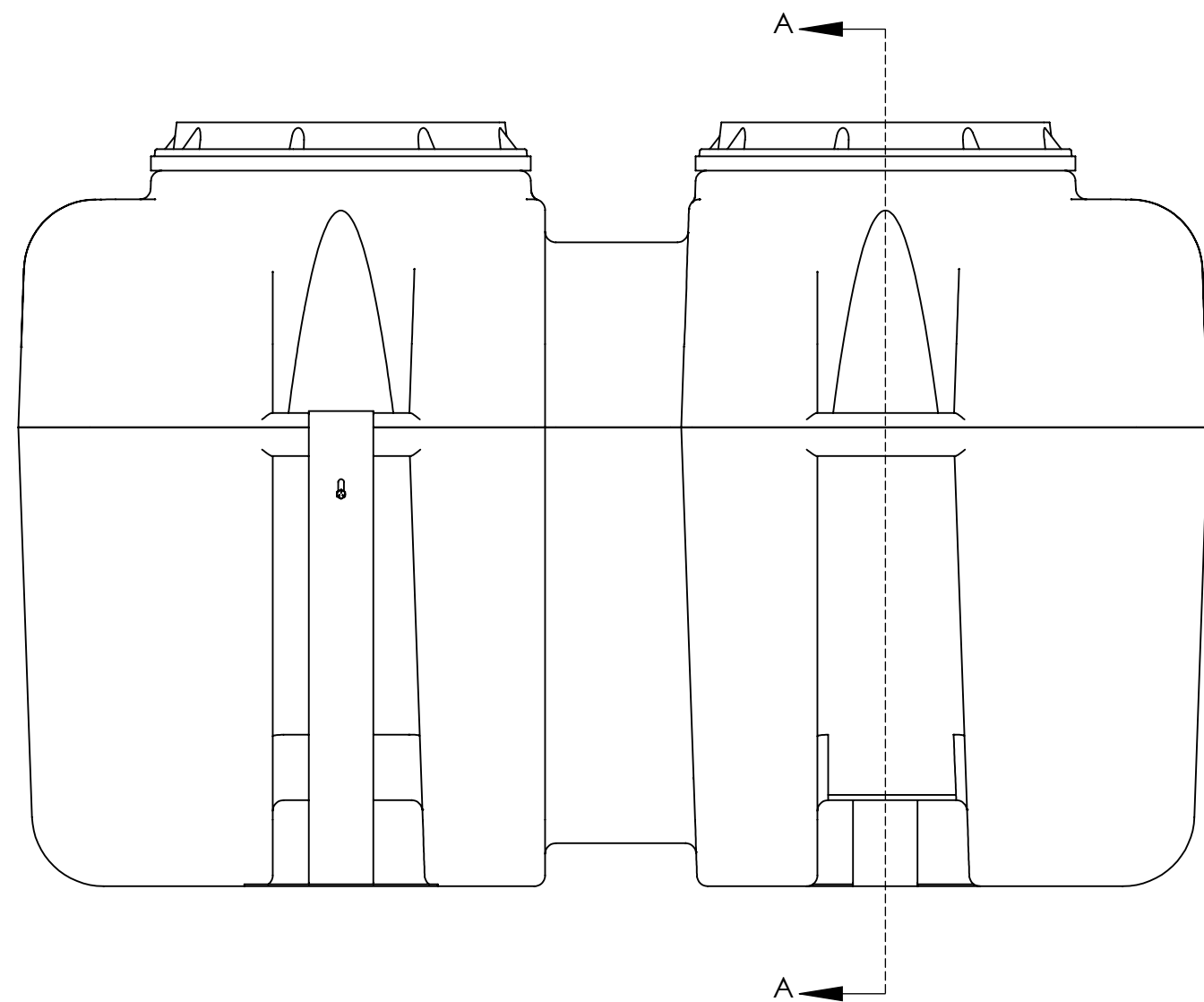
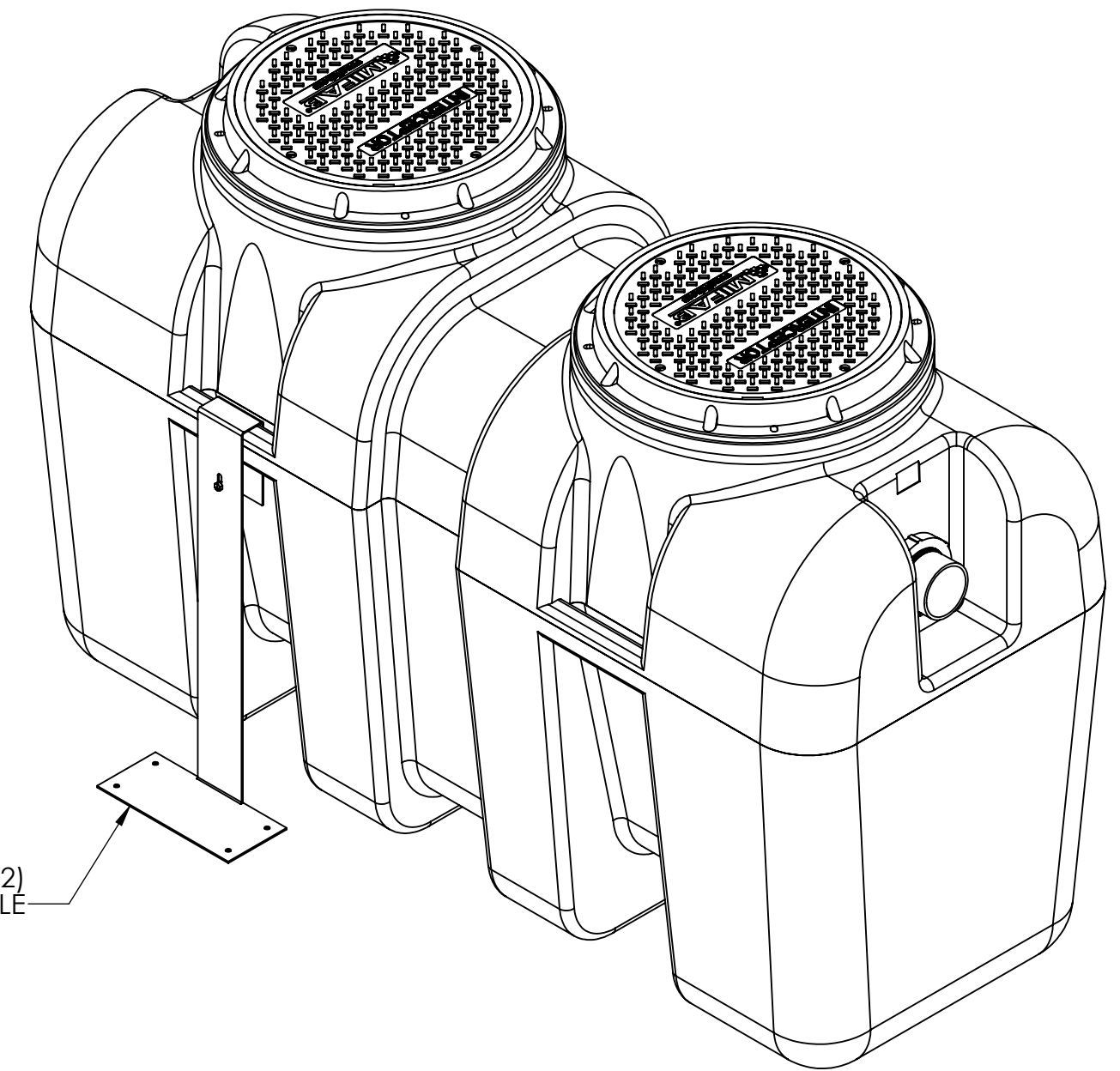


ANCHOR KIT INSTALLATION

Anchor kit is recommended for installation in high water table conditions to prevent float out. Necessity to be determined by Project Engineer.

Place Anchor hook over handle on interceptor. Bolt hardware through hole of anchor hook, to ensure hook does not become removed. Anchor plate may be bolted to concrete slab using provided holes.



DETAIL B
SCALE 1 : 10

PROPRIETARY AND CONFIDENTIAL
THE INFORMATION CONTAINED IN THIS DRAWING IS THE SOLE PROPERTY OF MIFAB, INC. ANY REPRODUCTION IN PART OR AS A WHOLE WITHOUT THE WRITTEN PERMISSION OF MIFAB, INC. IS PROHIBITED.

LASER/SHEAR:	UNLESS OTHERWISE SPECIFIED:	NAME	DATE
BRAKE PRESS:	DIMENSIONS ARE IN INCHES	DRAWN	XX
WELDED BY:	TOLERANCES:	CHECKED	XX
CLEAN/PAINT:	FRACTIONAL $\pm 1/16$	ENG APPR.	
COMPLETED BY:	ANGULAR: MACH $\pm 1^\circ$ BEND $\pm 1^\circ$	MFG APPR.	
REVIEWED BY:	TWO PLACE DECIMAL ± 0.015	Q.A.	
NEXT ASSY	THREE PLACE DECIMAL ± 0.010	QUANTITY:	
USED ON	TYPICAL DRAFT ANGLE 2°		
APPLICATION	MATERIAL DESCRIPTION SEE-BOM		
	FINISH PART#		
	XX		
	DO NOT SCALE DRAWING		

BIG-1150 W/ High Water Anchor Kit		
SIZE	DWG. NO.	REV
C	BIG-1150-AK	
SCALE: 1:12	WEIGHT:	SHEET 1 OF 1