

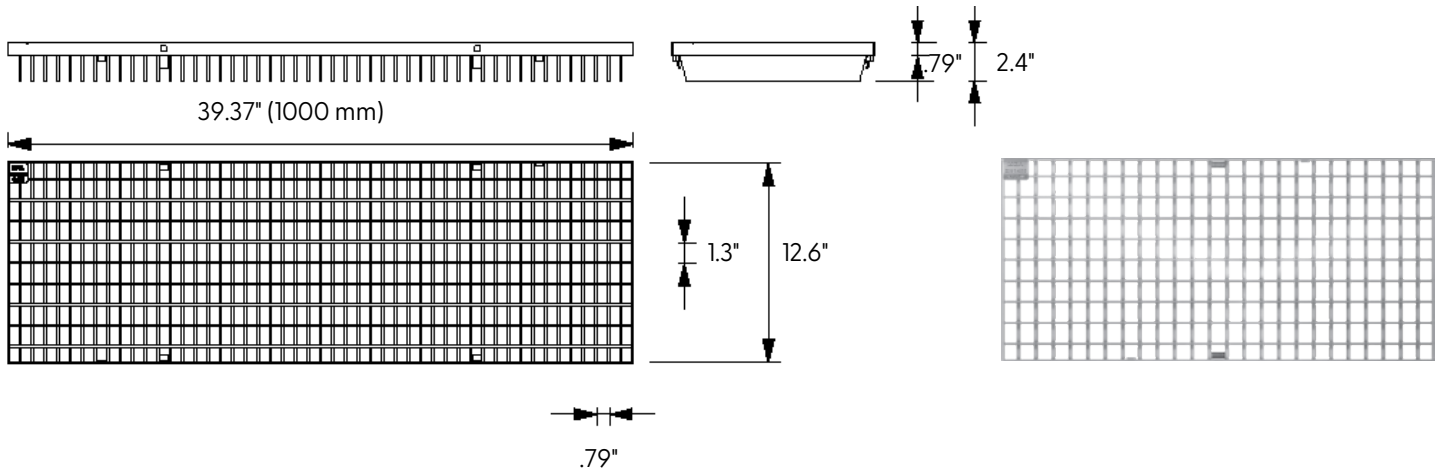
Location:



Galvanized Steel Mesh Grate to suit 12" clear opening channels



Specification: T300-PGC-13-GM galvanized steel mesh grates are independently certified to meet Load Class C tested in accordance with EN 1433 (56,200 lbs (250kN)). The grate length is 39.37" (1 m). The grates utilize the patented "Clipfix" grate locking mechanism. The system (channel and grate) provides longitudinal shift protection. Optional .5 m grates are also available in Load Class C (Part # T300-PGC-13-GM-500).



LOAD CLASS C



EN 1433 - 56,200 LBS.,
250kN, 1160 PSI

Compliance



ADA

CLIPFIX ADVANTAGE

The MEA polymer concrete and GRP channels are designed for our universal CLIPFIX grate locking mechanism. The system (channel and grate) provides longitudinal shift protection.

GRATE MODEL NUMBER	LENGTH	USED WITH
T300-PGC-13-GM	39.37" (1000 mm)	T1800 Concrete Channel
T300-PGC-13-GM-500	19.69" (500 mm)	T1800 Concrete Channel
TP300-PGC-13-GM	39.37" (1000 mm)	T3000 Plastic Channel
TP300-PGC-13-GM-500	19.69" (500 mm)	T3000 Plastic Channel

Job Name: _____	Page No: _____
Section No: _____	Contractor: _____
Schedule No: _____	Purchase Order No: _____

Revision Date: 10/28/2021

CALIFORNIA PROPOSITION 65 WARNING. This product contains chemicals known to the State of California to cause cancer and birth defects or other reproductive harm.

MIFAB reserves the right to make changes in material and design without formal notice and obligation. USA: 1-800-465-2736 www.mifab.com CAN: 1-800-387-3880

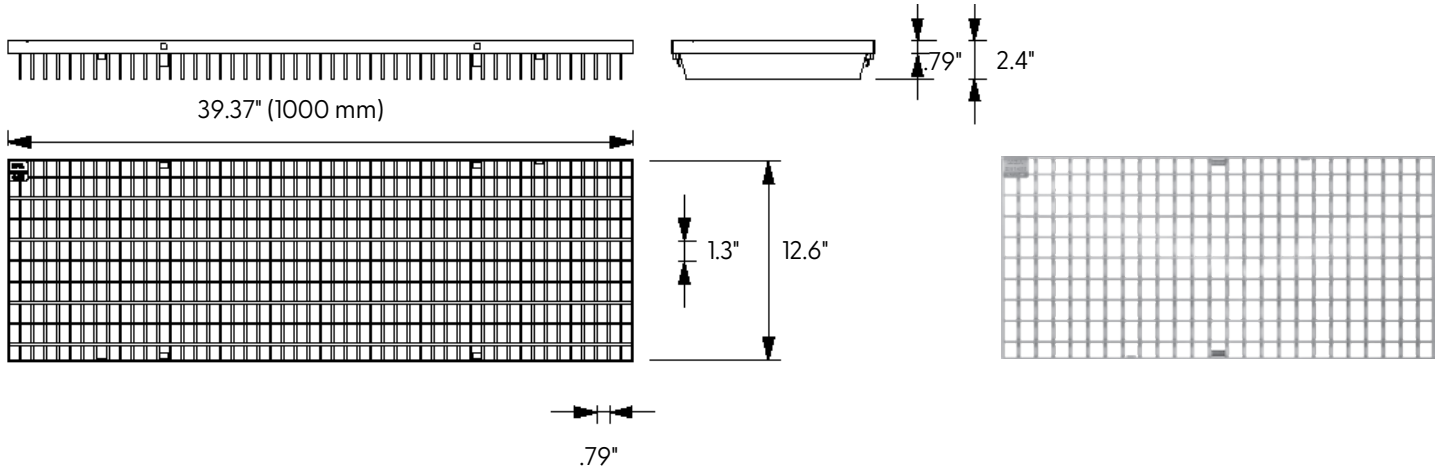
Location:



Stainless Steel Mesh Gate to suit 12" clear opening channels



Specification: T300-PGC-3-SM stainless steel mesh gates are independently certified to meet Load Class C tested in accordance with EN 1433 (56,200 lbs (250kN)). The grate length is 39.37" (1 m). The grates utilize the patented "Clipfix" grate locking mechanism. The system (channel and grate) provides longitudinal shift protection. Optional .5 m grates are also available in Load Class C (Part # T300-PGC-3-SM-500).



LOAD CLASS C



EN 1433 - 56,200 LBS.,
250kN, 1160 PSI

Compliance



ADA

CLIPFIX ADVANTAGE

The MEA polymer concrete and GRP channels are designed for our universal CLIPFIX grate locking mechanism. The system (channel and grate) provides longitudinal shift protection.

GRATE MODEL NUMBER	LENGTH	USED WITH
T300-PGC-3-SM	39.37" (1000 mm)	T1800 Concrete Channel
T300-PGC-3-SM-500	19.69" (500 mm)	T1800 Concrete Channel
TP300-PGC-3-SM	39.37" (1000 mm)	T3000 Plastic Channel
TP300-PGC-3-SM-500	19.69" (500 mm)	T3000 Plastic Channel

Job Name: _____	Page No: _____
Section No: _____	Contractor: _____
Schedule No: _____	Purchase Order No: _____

Revision Date: 11/08/2021

CALIFORNIA PROPOSITION 65 WARNING. This product contains chemicals known to the State of California to cause cancer and birth defects or other reproductive harm.

MIFAB reserves the right to make changes in material and design without formal notice and obligation. USA: 1-800-465-2736 www.mifab.com CAN: 1-800-387-3880

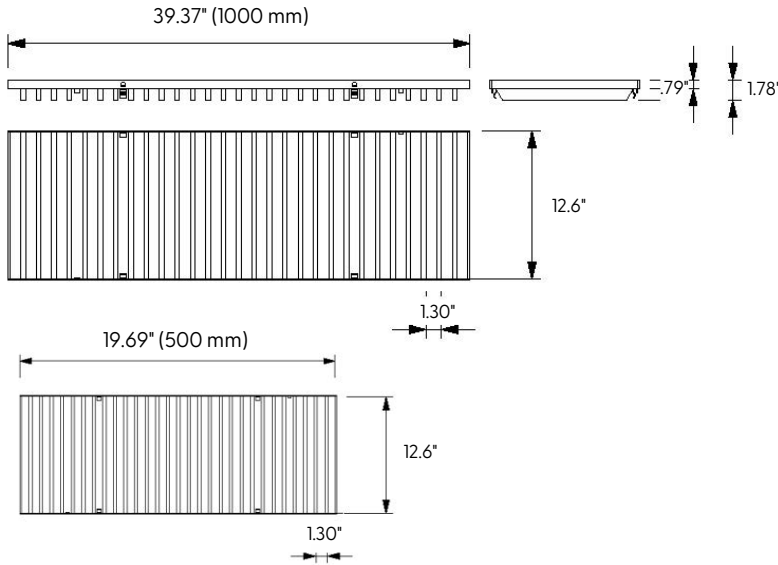
Location:



Stainless Steel Bar Grate to suit 12" clear opening channels



Specification: T300-PGC-3-SBG stainless steel bar grates are independently certified to meet Load Class C tested in accordance with EN 1433 (56,200 lbs (250kN)). The grate length is 39.37" (1m). The grates utilize the patented "Clipfix" grate locking mechanism. The system (channel and grate) provides longitudinal shift protection. Optional .5 m grates are also available in Load Class C (Part # T300-PGC-3-SBG-500).



CLIPFIX ADVANTAGE

The MEA polymer concrete and GRP channels are designed for our universal CLIPFIX grate locking mechanism. The system (channel and grate) provides longitudinal shift protection.

LOAD CLASS C



EN 1433 - 56,200 LBS.,
250kN, 1160 PSI

GRATE MODEL NUMBER	LENGTH	USED WITH
T300-PGC-3-SBG	39.37" (1000 mm)	T1800 Concrete Channel
TP300-PGC-3-SBG-500	19.69" (500 mm)	T1800 Concrete Channel
TP300-PGC-3-SBG	39.37" (1000 mm)	T3000 Plastic Channel
TP300-PGC-3-SBG-500	19.69" (500 mm)	T3000 Plastic Channel

Job Name: _____	Page No: _____
Section No: _____	Contractor: _____
Schedule No: _____	Purchase Order No: _____

Revision Date: 2022-01-26

CALIFORNIA PROPOSITION 65 WARNING. This product contains chemicals known to the State of California to cause cancer and birth defects or other reproductive harm.

MIFAB reserves the right to make changes in material and design without formal notice and obligation. USA: 1-800-465-2736 www.mifab.com CAN: 1-800-387-3880

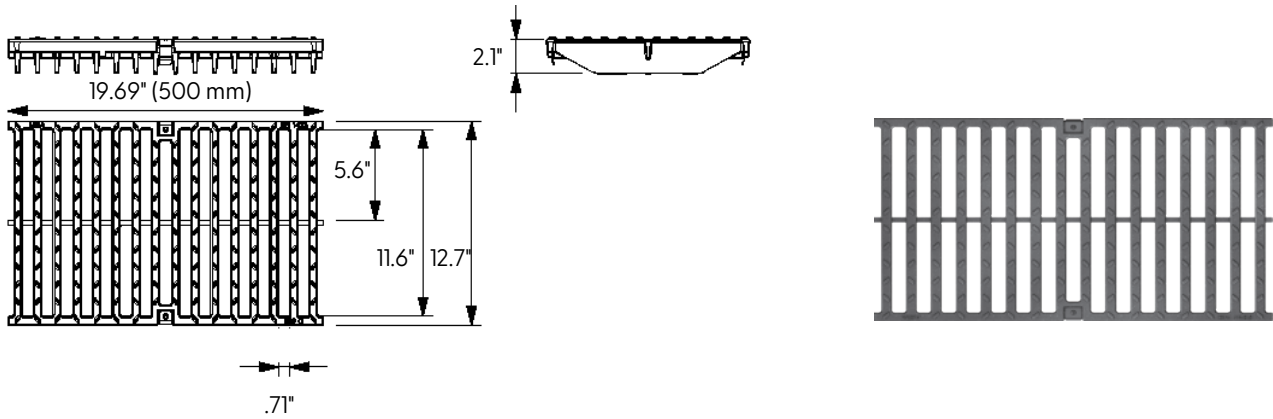
Location:



Ductile Iron Slotted Grate to suit 12" clear opening channels



Specification: T300-PGC-4 ductile iron slotted grates are independently certified to meet Load Class C tested in accordance with EN 1433 56,200 lbs. 250kN. The grate length is 19.69" (.5 m). The grates utilize the patented "Clipfix" grate locking mechanism. The system (channel and grate) provides longitudinal shift protection.



CLIPFIX ADVANTAGE

The MEA polymer concrete and GRP channels are designed for our universal CLIPFIX grate locking mechanism. The system (channel and grate) provides longitudinal shift protection.

LOAD CLASS C



EN 1433 - 56,200 LBS.,
250kN, 1160 PSI

GRATE MODEL NUMBER	LENGTH	USED WITH
T300-PGC-4	19.69" (500 mm)	T1800 Concrete Channel
TP300-PGC-4	19.69" (500 mm)	T3000 Plastic Channel

Job Name: _____	Page No: _____
Section No: _____	Contractor: _____
Schedule No: _____	Purchase Order No: _____

Revision Date: 11/08/2021

CALIFORNIA PROPOSITION 65 WARNING. This product contains chemicals known to the State of California to cause cancer and birth defects or other reproductive harm.

MIFAB reserves the right to make changes in material and design without formal notice and obligation. USA: 1-800-465-2736 www.mifab.com CAN: 1-800-387-3880

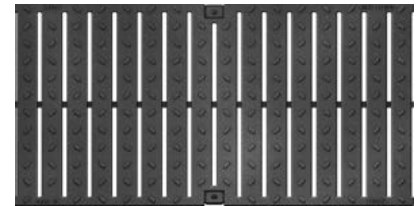
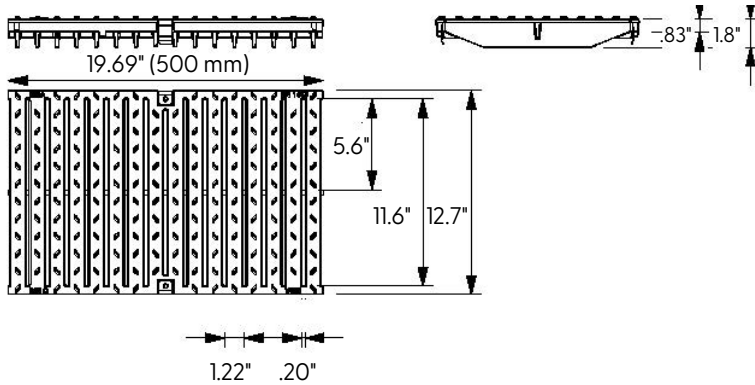
Location:



Ductile Iron Heelproof Slotted Grate to suit 12" clear opening channels



Specification: T300-PGC-4-HP ductile iron heelproof slotted grates are independently certified to meet Load Class C tested in accordance with EN 1433 56,200 lbs. 250kN. The grate length is 19.69" (.5 m). The grates utilize the patented "Clipfix" grate locking mechanism. The system (channel and grate) provides longitudinal shift protection.



CLIPFIX ADVANTAGE

The MEA polymer concrete and GRP channels are designed for our universal CLIPFIX grate locking mechanism. The system (channel and grate) provides longitudinal shift protection.

LOAD CLASS C



EN 1433 - 56,200 LBS.,
250kN, 1160 PSI

Compliance



HEELPROOF

GRATE MODEL NUMBER	LENGTH	USED WITH
T300-PGC-4-HP	19.69" (500 mm)	T1800 Concrete Channel
TP300-PGC-4-HP	19.69" (500 mm)	T3000 Plastic Channel

Job Name: _____	Page No: _____
Section No: _____	Contractor: _____
Schedule No: _____	Purchase Order No: _____

Revision Date: 2022-01-26

CALIFORNIA PROPOSITION 65 WARNING. This product contains chemicals known to the State of California to cause cancer and birth defects or other reproductive harm.

MIFAB reserves the right to make changes in material and design without formal notice and obligation. USA: 1-800-465-2736 www.mifab.com CAN: 1-800-387-3880

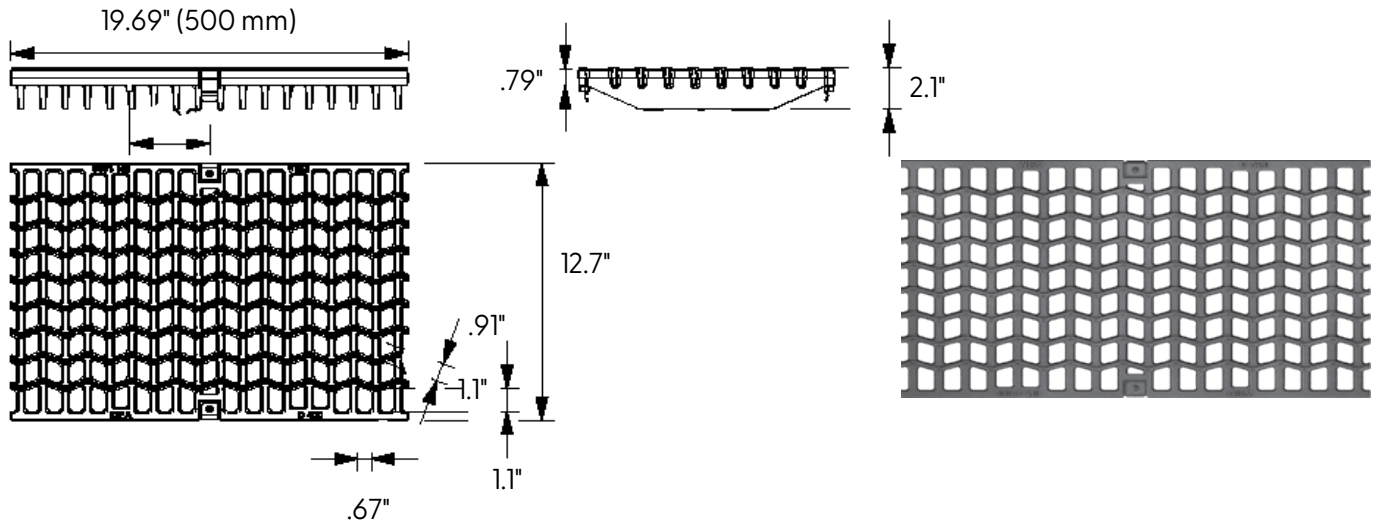
Location:



Ductile Iron Wave Grate to suit 12" clear opening channels



Specification: T300-PGC-4-WVY ductile iron grates are independently certified to meet Load Class C tested in accordance with EN 1433 56,200 lbs. 250kN. The grate length is 19.69" (.5 m). The grates utilize the patented "Clipfix" grate locking mechanism. The system (channel and grate) provides longitudinal shift protection.



CLIPFIX ADVANTAGE

The MEA polymer concrete and GRP channels are designed for our universal CLIPFIX grate locking mechanism. The system (channel and grate) provides longitudinal shift protection.

LOAD CLASS C



EN 1433 - 56,200 LBS.,
250kN, 1160 PSI

GRATE MODEL NUMBER	LENGTH	USED WITH
T300-PGC-4-WVY	19.69" (500 mm)	T1800 Concrete Channel
TP300-PGC-4-WVY	19.69" (500 mm)	T3000 Plastic Channel

Job Name: _____	Page No: _____
Section No: _____	Contractor: _____
Schedule No: _____	Purchase Order No: _____

Revision Date: 11/08/2021

CALIFORNIA PROPOSITION 65 WARNING. This product contains chemicals known to the State of California to cause cancer and birth defects or other reproductive harm.

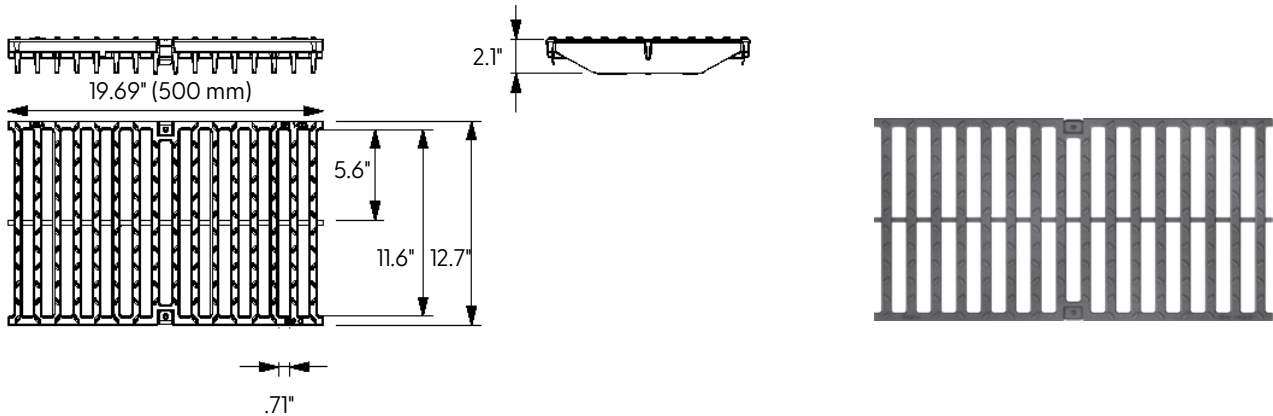
Location:



Ductile Iron Slotted Grate to suit 12" clear opening channels



Specification: T300-PGE-4 ductile iron grates are independently certified to meet Load Class E tested in accordance with EN 1433 134,800 lbs. 600kN. The grate length is 19.69" (.5 m). The grates utilize the patented "Clipfix" grate locking mechanism. The system (channel and grate) provides longitudinal shift protection.



CLIPFIX ADVANTAGE

The MEA polymer concrete and GRP channels are designed for our universal CLIPFIX grate locking mechanism. The system (channel and grate) provides longitudinal shift protection.

LOAD CLASS E



EN 1433
134,800 LBS.,
600kN, 2,785 PSI

GRATE MODEL NUMBER	LENGTH	USED WITH
T300-PGE-4	19.69" (500 mm)	T1800 Concrete Channel
TP300-PGE-4	19.69" (500 mm)	T3000 Plastic Channel

Job Name: _____	Page No: _____
Section No: _____	Contractor: _____
Schedule No: _____	Purchase Order No: _____

Revision Date: 11/08/2021

CALIFORNIA PROPOSITION 65 WARNING. This product contains chemicals known to the State of California to cause cancer and birth defects or other reproductive harm.

MIFAB reserves the right to make changes in material and design without formal notice and obligation. USA: 1-800-465-2736 www.mifab.com CAN: 1-800-387-3880

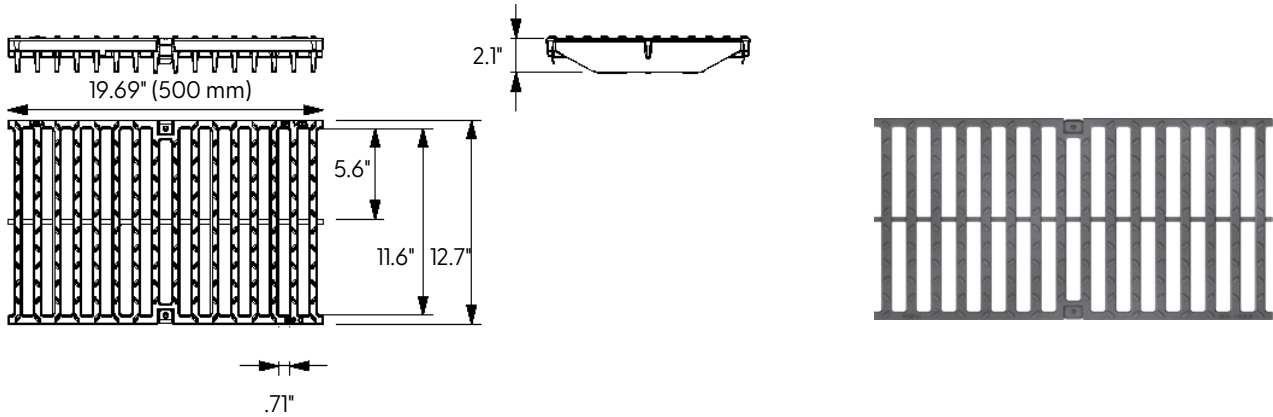
Location:



Galvanized Ductile Iron Slotted Grate to suit 12" clear opening channels



Specification: T300-PGE-4-13 galvanized ductile iron grates are independently certified to meet Load Class E tested in accordance with EN 1433 134,800 lbs. 600kN. The grate length is 19.69" (.5 m). The grates utilize the patented "Clipfix" grate locking mechanism. The system (channel and grate) provides longitudinal shift protection.



CLIPFIX ADVANTAGE

The MEA polymer concrete and GRP channels are designed for our universal CLIPFIX grate locking mechanism. The system (channel and grate) provides longitudinal shift protection.

LOAD CLASS E



EN 1433
134,800 LBS.,
600kN, 2,785 PSI

GRATE MODEL NUMBER	LENGTH	USED WITH
T300-PGE-4-13	19.69" (500 mm)	T1800 Concrete Channel
TP300-PGE-4-13	19.69" (500 mm)	T3000 Plastic Channel

Job Name: _____	Page No: _____
Section No: _____	Contractor: _____
Schedule No: _____	Purchase Order No: _____

Revision Date: 11/08/2021

CALIFORNIA PROPOSITION 65 WARNING. This product contains chemicals known to the State of California to cause cancer and birth defects or other reproductive harm.

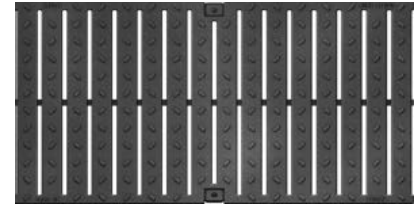
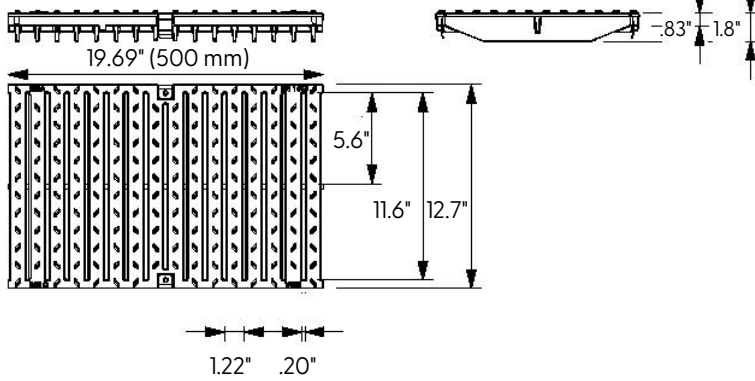
Location:



Ductile Iron Heelproof Slotted Grate to suit 12" clear opening channels



Specification: T300-PGE-4-HP ductile iron heelproof slotted grates are independently certified to meet Load Class E tested in accordance with EN 1433 134,800 lbs. 600kN. The grate length is 19.69" (.5 m). The grates utilize the patented "Clipfix" grate locking mechanism. The system (channel and grate) provides longitudinal shift protection.



CLIPFIX ADVANTAGE

The MEA polymer concrete and GRP channels are designed for our universal CLIPFIX grate locking mechanism. The system (channel and grate) provides longitudinal shift protection.

LOAD CLASS E



EN 1433 - 134,800 LBS.,
600kN, 2,785 PSI

Compliance



HEELPROOF

GRATE MODEL NUMBER	LENGTH	USED WITH
T300-PGE-4-HP	19.69" (500 mm)	T1800 Concrete Channel
TP300-PGE-4-HP	19.69" (500 mm)	T3000 Plastic Channel

Job Name: _____	Page No: _____
Section No: _____	Contractor: _____
Schedule No: _____	Purchase Order No: _____

Revision Date: 2022-01-26

CALIFORNIA PROPOSITION 65 WARNING. This product contains chemicals known to the State of California to cause cancer and birth defects or other reproductive harm.

MIFAB reserves the right to make changes in material and design without formal notice and obligation. USA: 1-800-465-2736 www.mifab.com CAN: 1-800-387-3880

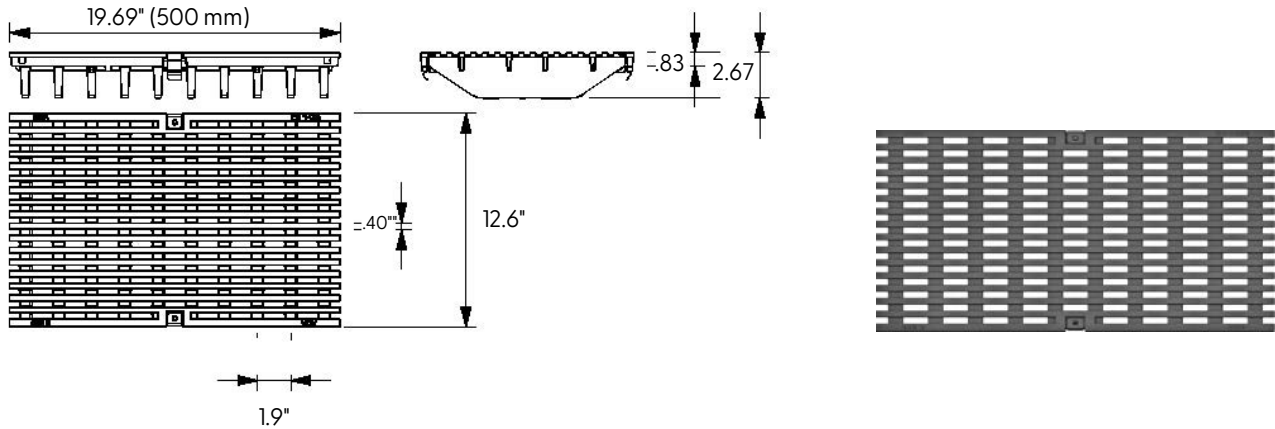
Location:



Ductile Iron Longitudinal Slotted Grate to suit 12" clear opening channels



Specification: T300-PGE-4-ADA ductile iron grates are independently certified to meet Load Class E tested in accordance with EN 1433 134,800 lbs. 600kN. The grate length is 19.69" (.5 m). The grates utilize the patented "Clipfix" grate locking mechanism. The system (channel and grate) provides longitudinal shift protection.



CLIPFIX ADVANTAGE

The MEA polymer concrete and GRP channels are designed for our universal CLIPFIX grate locking mechanism. The system (channel and grate) provides longitudinal shift protection.

LOAD CLASS E



EN 1433
134,800 LBS.,
600kN, 2,785 PSI

Compliance



ADA



HEELPROOF

GRATE MODEL NUMBER	LENGTH	USED WITH
T300-PGE-4-ADA	19.69" (500 mm)	T1800 Concrete Channel
TP300-PGE-4-ADA	19.69" (500 mm)	T3000 Plastic Channel

Job Name: _____	Page No: _____
Section No: _____	Contractor: _____
Schedule No: _____	Purchase Order No: _____

Revision Date: 2022-01-26

CALIFORNIA PROPOSITION 65 WARNING. This product contains chemicals known to the State of California to cause cancer and birth defects or other reproductive harm.

MIFAB reserves the right to make changes in material and design without formal notice and obligation. USA: 1-800-465-2736 www.mifab.com CAN: 1-800-387-3880

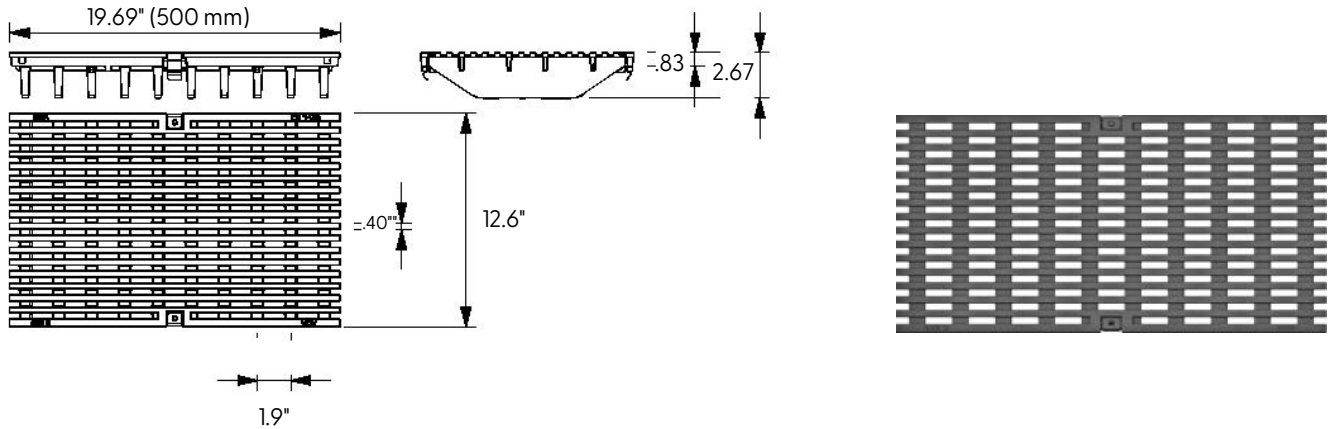
Location:



Galvanized Ductile Iron Longitudinal Slotted Grate to suit 12" clear opening channels



Specification: T300-PGE-4-ADA-13 ductile iron grates are independently certified to meet Load Class E tested in accordance with EN 1433 134,800 lbs. 600kN. The grate length is 19.69" (.5 m). The grates utilize the patented "Clipfix" grate locking mechanism. The system (channel and grate) provides longitudinal shift protection.



CLIPFIX ADVANTAGE

The MEA polymer concrete and GRP channels are designed for our universal CLIPFIX grate locking mechanism. The system (channel and grate) provides longitudinal shift protection.

LOAD CLASS E



EN 1433
134,800 LBS.,
600kN, 2,785 PSI

Compliance



ADA



HEELPROOF

GRATE MODEL NUMBER	LENGTH	USED WITH
T300-PGE-4-ADA-13	19.69" (500 mm)	T1800 Concrete Channel
TP300-PGE-4-ADA-13	19.69" (500 mm)	T3000 Plastic Channel

Job Name: _____	Page No: _____
Section No: _____	Contractor: _____
Schedule No: _____	Purchase Order No: _____

Revision Date: 2022-01-26

CALIFORNIA PROPOSITION 65 WARNING. This product contains chemicals known to the State of California to cause cancer and birth defects or other reproductive harm.

MIFAB reserves the right to make changes in material and design without formal notice and obligation. USA: 1-800-465-2736 www.mifab.com CAN: 1-800-387-3880

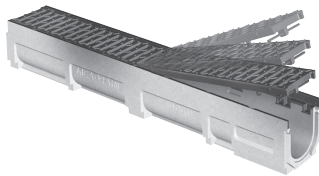
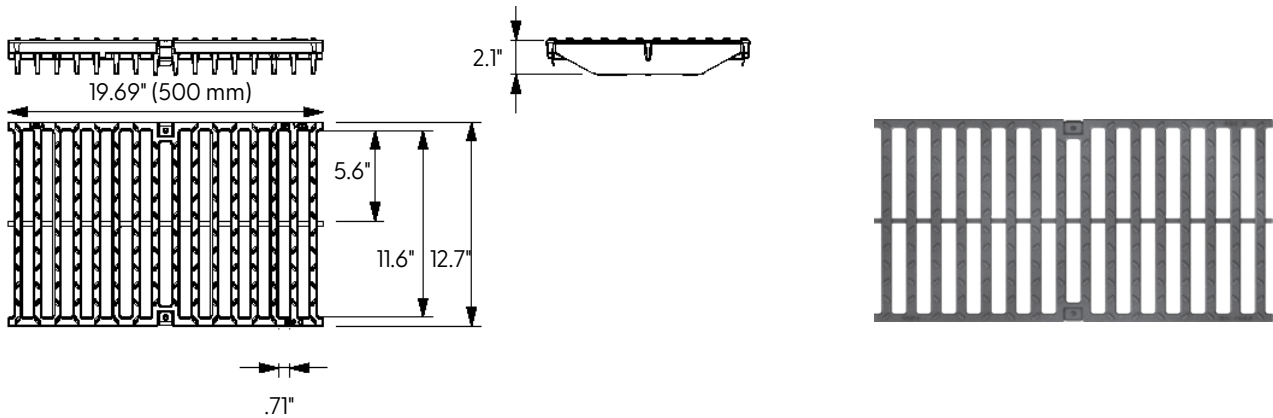
Location:



Ductile Iron Slotted Grate to suit 12" clear opening channels



Specification: T300-PGF-4 ductile iron grates are independently certified to meet Load Class E tested in accordance with EN 1433 (134,800 lbs. (600kN)). The grate length is 19.69" (.5 m). The grates utilize the patented "Profix" grate locking mechanism. The system (channel and grate) provides longitudinal shift protection.



PROFIX ADVANTAGE

The MEA polymer concrete channels with ductile iron grates have been designed for our universal PROFIX grate locking mechanism. The system (channel and grate) provides longitudinal shift protection.

LOAD CLASS F



EN 1433
202,320 LBS.,
900kN, 4,177 PSI

GRATE MODEL NUMBER	LENGTH	USED WITH
T300-PGF-4	19.69" (500 mm)	T1800 Concrete Channel

Job Name: _____	Page No: _____
Section No: _____	Contractor: _____
Schedule No: _____	Purchase Order No: _____

Revision Date: 11/08/2021

CALIFORNIA PROPOSITION 65 WARNING. This product contains chemicals known to the State of California to cause cancer and birth defects or other reproductive harm.