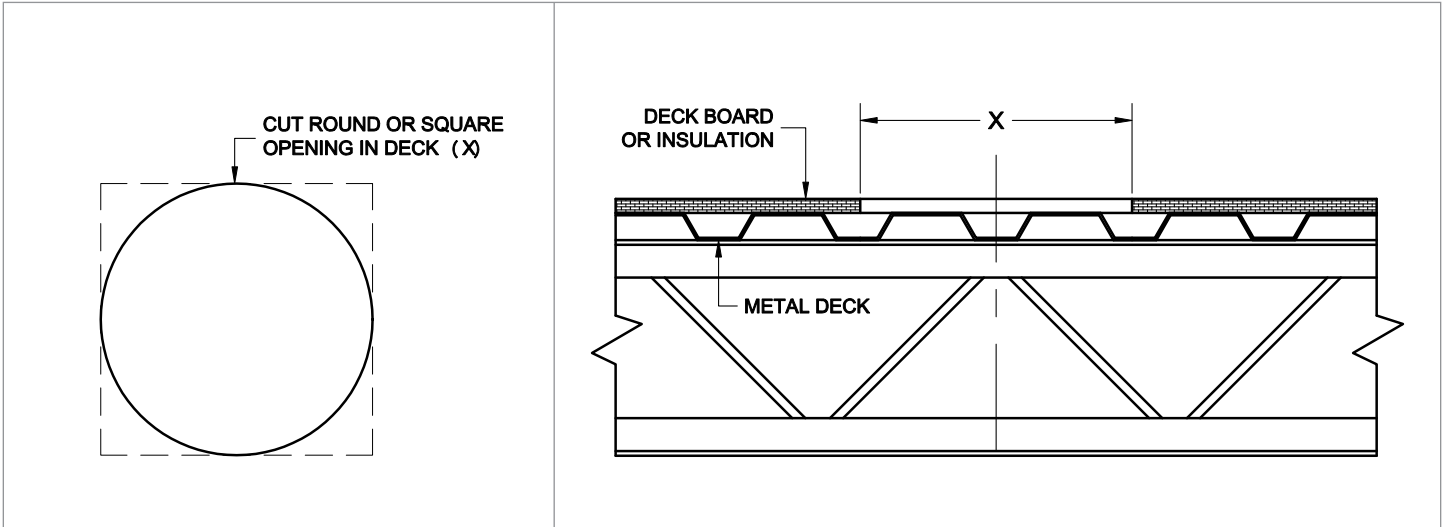


FOR USE IN ENGINEERED SIPHONIC ROOF DRAINAGE SYSTEMS, FURNISHED STANDARD WITH EPOXY COATED CAST IRON BODY, MEMBRANE CLAMP DEVICE AND AIR BAFFLE/ INDUCER, 304 STAINLESS STEEL HARDWARE AND NO-HUB BOTTOM OUTLET.



CATALOG NUMBER	PIPE SIZE	X (DECK OPENING)
MH-300	3 (75)	8 1/2 (216)
MH-400	4 (100)	13 (330)
MH-500	5 (125)	13 (330)
MH-600	6 (150)	16 (406)

MIFAB® Hydromax siphonic roof drains are compliant with ANSI/ASME A112.6.9 and are IAPMO Listed (file No. 6009).

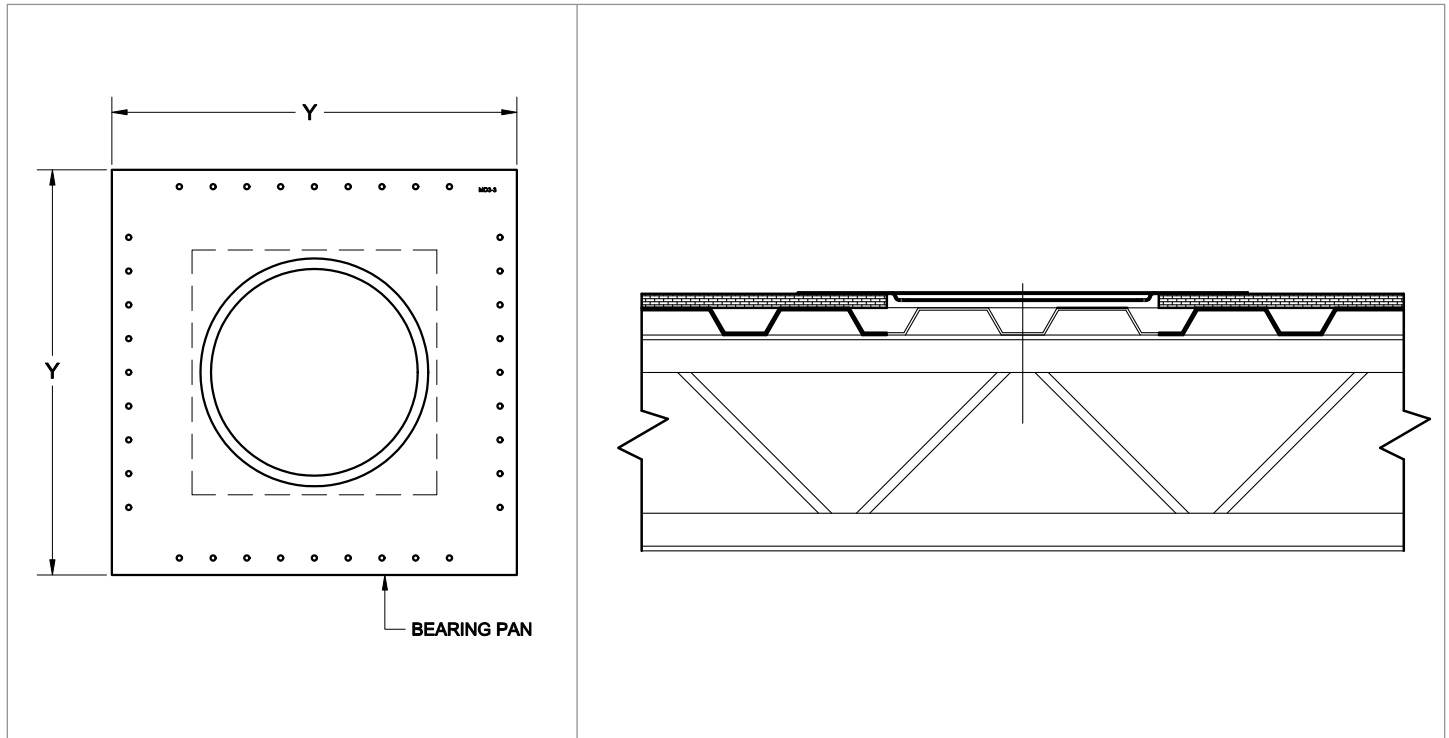
1. AT THE PREDETERMINED LOCATION LOCATE THE CENTER FOR THE DRAIN OPENING & SCRIBE TO 'X' DIMENSION
2. VERIFY THAT THERE ARE NO OBSTRUCTIONS UNDER THE AREA WHERE THE DRAIN IS TO BE LOCATED.
3. CHECK TO INSURE THAT THE LOCATION IS TO THE SYSTEM ENGINEERED PLANS. A SIPHONIC SYSTEM MUST BE LOCATED PRECISELY - DO NOT DEVIATE FROM PLANS.
4. IF THE SPECIFIED LOCATION HAS INTERFERENCES OR IF A LOCATION CHANGE IS DESIRED, DO NOT PROCEED. CONSULT WITH THE ENGINEERING AUTHORITY RESPONSIBLE FOR THE DESIGN SO THE CHANGE CAN BE RECALCULATED.
5. IF NO PROBLEMS EXISTS AT THE PREDETERMINED SITE, CUT A ROUND OR SQUARE OPENING IN THE DECK (X - DIMENSION)

Dimensional Data (inches/mm) are subject to manufacturers tolerance and change without notice. MIFAB® not responsible for superseded or voided data.

Job Name: _____ Job Location: _____

Customer Approval: _____ Approval Date: _____

FOR USE IN ENGINEERED SIPHONIC ROOF DRAINAGE SYSTEMS, FURNISHED STANDARD WITH EPOXY COATED CAST IRON BODY, MEMBRANE CLAMP DEVICE AND AIR BAFFLE/ INDUCER, 304 STAINLESS STEEL HARDWARE AND NO-HUB BOTTOM OUTLET.



CATALOG NUMBER	PIPE SIZE	Y (DECK OPENING)
MH-300	3 (75)	24 (610)
MH-400	4 (100)	27 (686)
MH-500	5 (125)	27 (686)
MH-600	6 (150)	33 (838)

MIFAB® Hydromax siphonic roof drains are compliant with ANSI/ASME A112.6.9 and are IAPMO Listed (file No. 6009).

(SKIP TO STEP 4 IF NO BEARING PAN USED)

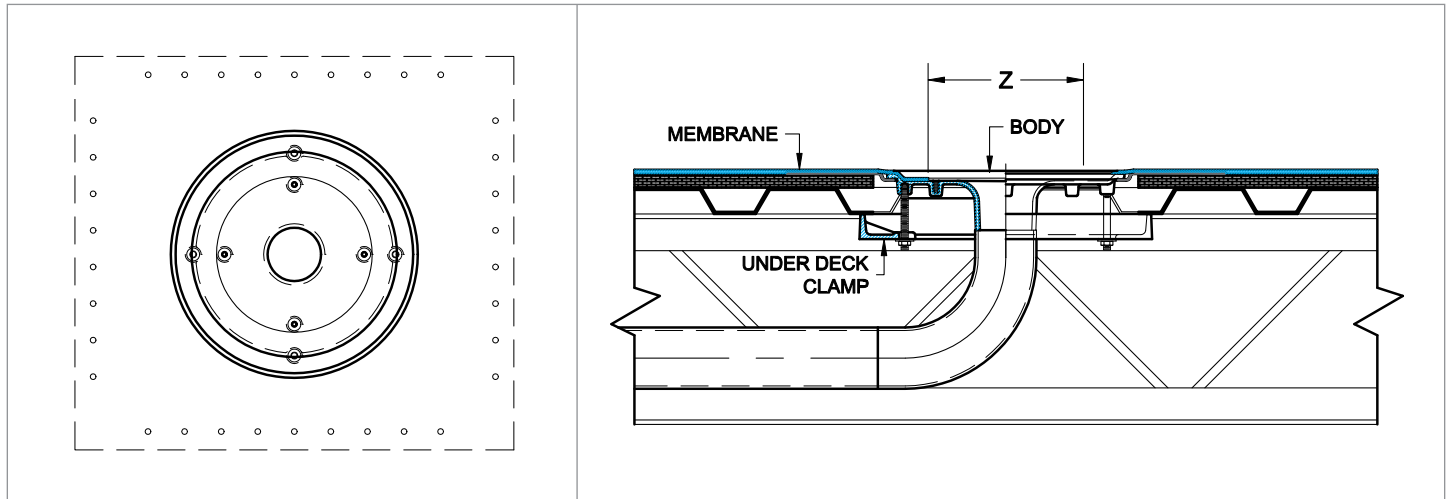
1. REFER TO DIRECT CUT INSTALL SHEET FOR HOLE DIMENSIONS.
2. INSTALL THE BEARING PAN (SUMP RECEIVER) INTO PRE CUT DECK OPENING.
3. THE BEARING PAN HAS PERIMETER HOLES FOR SECURING TO THE DECK. DECK SCREWS CAN BE USED TO SECURE THE BEARING PAN (IF DESIRED).

Dimensional Data (inches/mm) are subject to manufacturers tolerance and change without notice. MIFAB® not responsible for superseded or voided data.

Job Name: _____ Job Location: _____

Customer Approval: _____ Approval Date: _____

FOR USE IN ENGINEERED SIPHONIC ROOF DRAINAGE SYSTEMS, FURNISHED STANDARD WITH EPOXY COATED CAST IRON BODY, MEMBRANE CLAMP DEVICE AND AIR BAFFLE/ INDUCER, 304 STAINLESS STEEL HARDWARE AND NO-HUB BOTTOM OUTLET.



CATALOG NUMBER	PIPE SIZE	Z (DECK OPENING)
MH-300	3 (75)	8 1/2 (216)
MH-400	4 (100)	13 (330)
MH-500	5 (125)	13 (330)
MH-600	6 (150)	16 (406)

MIFAB® Hydromax siphonic roof drains are compliant with ANSI/ASME A112.6.9 and are IAPMO Listed (file No. 6009).

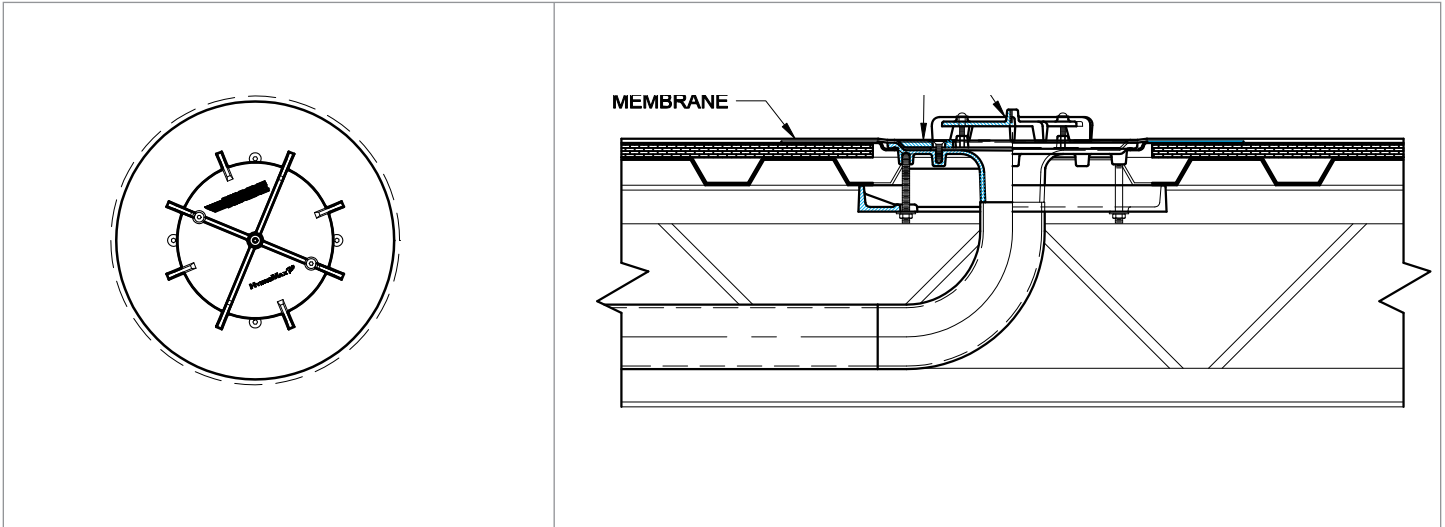
1. INSTALL SIPHONIC DRAIN BODY INTO BEARING PAN RECESS.
2. FROM UNDERSIDE, INSTALL UNDER DECK CLAMPS AND TIGHTEN SECURELY.
3. INSTALLATION OF PIPE MAY THEN PROCEED. MAKE SURE TO FOLLOW PIPE ROUTES EXACTLY TO THE ENGINEERING PLANS FOR THE SYSTEM. NO DEVIATION IS ALLOWED AS THIS IS AN ENGINEERED SYSTEM. ANY MODIFICATION TO THE PIPING ARRANGEMENT MUST BE SUBMITTED TO THE ENGINEER FOR EVALUATION.
4. FROM THE ROOF SIDE, THE WATERPROOF MEMBRANE CAN BE INSTALLED. APPLY THE MEMBRANE TO THE MANUFACTURERS RECOMMENDATIONS.
5. CUT THE MEMBRANE IN A CIRCULAR PATTERN TO THE 'Z' DIMENSION IN THE CENTER OF THE DRAIN.

Dimensional Data (inches/mm) are subject to manufacturers tolerance and change without notice. MIFAB® not responsible for superseded or voided data.

Job Name: _____ Job Location: _____

Customer Approval: _____ Approval Date: _____

FOR USE IN ENGINEERED SIPHONIC ROOF DRAINAGE SYSTEMS, FURNISHED STANDARD WITH EPOXY COATED CAST IRON BODY, MEMBRANE CLAMP DEVICE AND AIR BAFFLE/ INDUCER, 304 STAINLESS STEEL HARDWARE AND NO-HUB BOTTOM OUTLET.



CATALOG NUMBER	PIPE SIZE
MH-300	3 (75)
MH-400	4 (100)
MH-500	5 (125)
MH-600	6 (150)

MIFAB® Hydromax siphonic roof drains are compliant with ANSI/ASME A112.6.9 and are IAPMO Listed (file No. 6009).

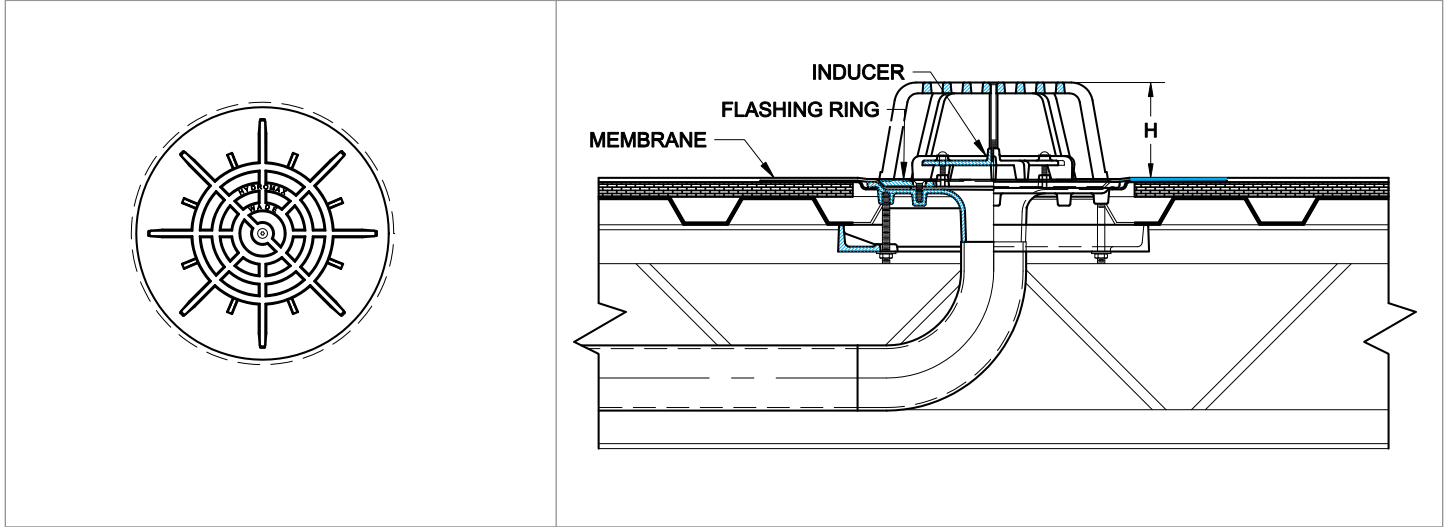
1. **(IF NO BEARING PAN USED)** FROM UNDERSIDE, INSTALL UNDER DECK CLAMPS AND TIGHTEN SECURELY.
2. FROM THE ROOF SIDE, THE WATERPROOF MEMBRANE CAN BE INSTALLED. APPLY THE MEMBRANE TO THE MANUFACTURERS RECOMMENDATIONS.
3. INSTALL THE FLASHING RING WITH THE HARDWARE PROVIDED. INSURE THAT THE SCREWS ARE TIGHT.
4. INSTALL THE INDUCER ON TOP OF THE FLASHING RING WITH THE HARDWARE PROVIDED. THE INDUCER SECURES TO THE FLASHING RING WITH (2) SCREWS.

Dimensional Data (inches/mm) are subject to manufacturers tolerance and change without notice. MIFAB® not responsible for superseded or voided data.

Job Name: _____ Job Location: _____

Customer Approval: _____ Approval Date: _____

FOR USE IN ENGINEERED SIPHONIC ROOF DRAINAGE SYSTEMS, FURNISHED STANDARD WITH EPOXY COATED CAST IRON BODY, MEMBRANE CLAMP DEVICE AND AIR BAFFLE/ INDUCER, 304 STAINLESS STEEL HARDWARE AND NO-HUB BOTTOM OUTLET.



CATALOG NUMBER	PIPE SIZE	H
MH-300	3 (75)	5 (125)
MH-400	4 (100)	5 (125)
MH-500	5 (125)	5 (125)
MH-600	6 (150)	5 (125)

MIFAB® Hydromax Hydromax siphonic roof drains E with optional dome (debris guard) are compliant with IPC (International Plumbing Code) Section 1105.

MIFAB® Hydromax siphonic roof drains are compliant with ANSI/ASME A112.6.9 and are IAPMO Listed (file No. 6009).

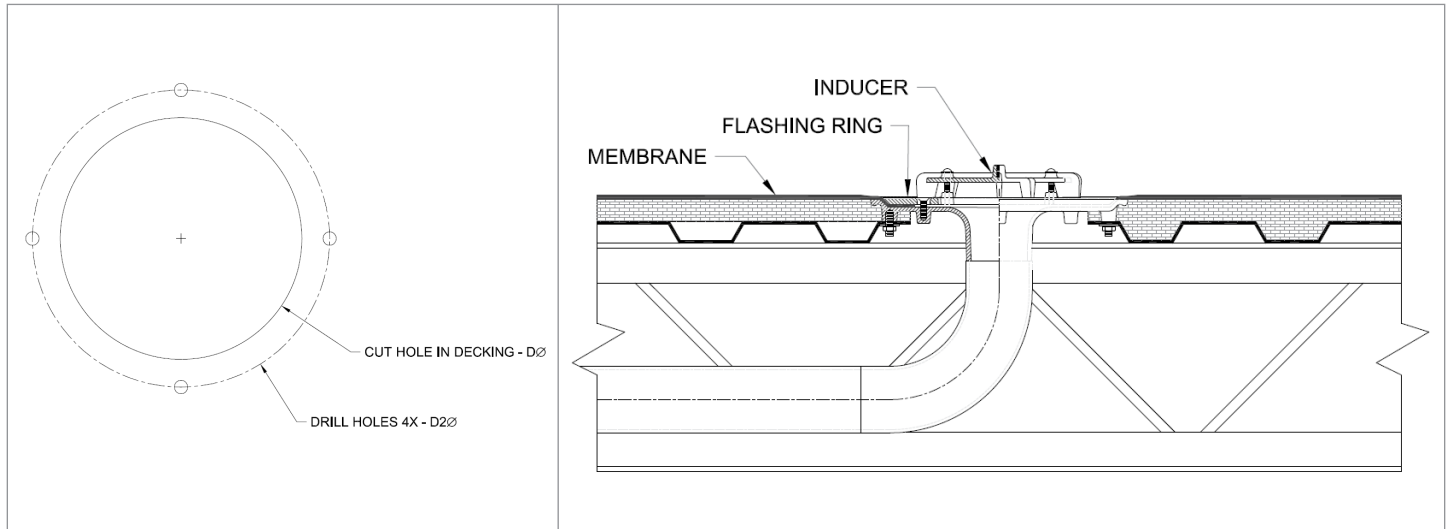
1. WITH THE INDUCER IN PLACE AND SECURED, INSTALL THE DOME (LEAFGUARD) ALIGNING THE LEGS BETWEEN THE INDUCER VANES. SECURE THE DOME WITH THE HARDWARE PROVIDED.

Dimensional Data (inches/mm) are subject to manufacturers tolerance and change without notice. MIFAB® not responsible for superseded or voided data.

Job Name: _____ Job Location: _____

Customer Approval: _____ Approval Date: _____

FOR USE IN ENGINEERED SIPHONIC ROOF DRAINAGE SYSTEMS, FURNISHED STANDARD WITH EPOXY COATED CAST IRON BODY, MEMBRANE CLAMP DEVICE AND AIR BAFFLE/ INDUCER, 304 STAINLESS STEEL HARDWARE AND NO-HUB BOTTOM OUTLET.



CATALOG NUMBER	PIPE SIZE	D Ø	D-2 Ø
MH-300	3 (75)	9"	11-1/16
MH-400	4 (100)	14"	17-3/32
MH-500	5 (125)	14"	17-3/32
MH-600	6 (150)	20"	20-11/16

MIFAB® Hydromax siphonic roof drains are compliant with ANSI/ASME A112.6.9 and are IAPMO Listed (file No. 6009).

1. AT THE PREDETERMINED LOCATION LOCATE THE CENTER FOR THE DRAIN OPENING & SCRIBE TO 'D Ø' DIMENSION
2. VERIFY THAT THERE ARE NO OBSTRUCTIONS UNDER THE AREA WHERE THE DRAIN IS TO BE LOCATED.
3. CHECK TO INSURE THAT THE LOCATION IS TO THE SYSTEM ENGINEERED PLANS. A SIPHONIC SYSTEM MUST BE LOCATED PRECISELY - DO NOT DEVIATE FROM PLANS.
4. IF THE SPECIFIED LOCATION HAS INTERFERENCES OR IF A LOCATION CHANGE IS DESIRED, DO NOT PROCEED. CONSULT WITH THE ENGINEERING AUTHORITY RESPONSIBLE FOR THE DESIGN SO THE CHANGE CAN BE RECALCULATED.
5. DRILL HOLES AT THE 'D-2 Ø' DIMENSION THEN SECURELY TIGHTEN SCREWS FROM THE UNDERSIDE
6. FROM THE ROOF SIDE, THE WATERPROOF MEMBRANE CAN BE INSTALLED. APPLY THE MEMBRANE TO THE MANUFACTURERS RECOMMENDATIONS.
7. INSTALL THE FLASHING RING WITH THE HARDWARE PROVIDED. INSURE THAT THE SCREWS ARE TIGHT.
8. INSTALL THE INDUCER ON TOP OF THE FLASHING RING WITH THE HARDWARE PROVIDED. THE INDUCER SECURES TO THE FLASHING RING WITH (2) SCREWS.

Dimensional Data (inches/mm) are subject to manufacturers tolerance and change without notice. MIFAB® not responsible for superseded or voided data.

Job Name: _____ Job Location: _____

Customer Approval: _____ Approval Date: _____