

Location: \_\_\_\_\_

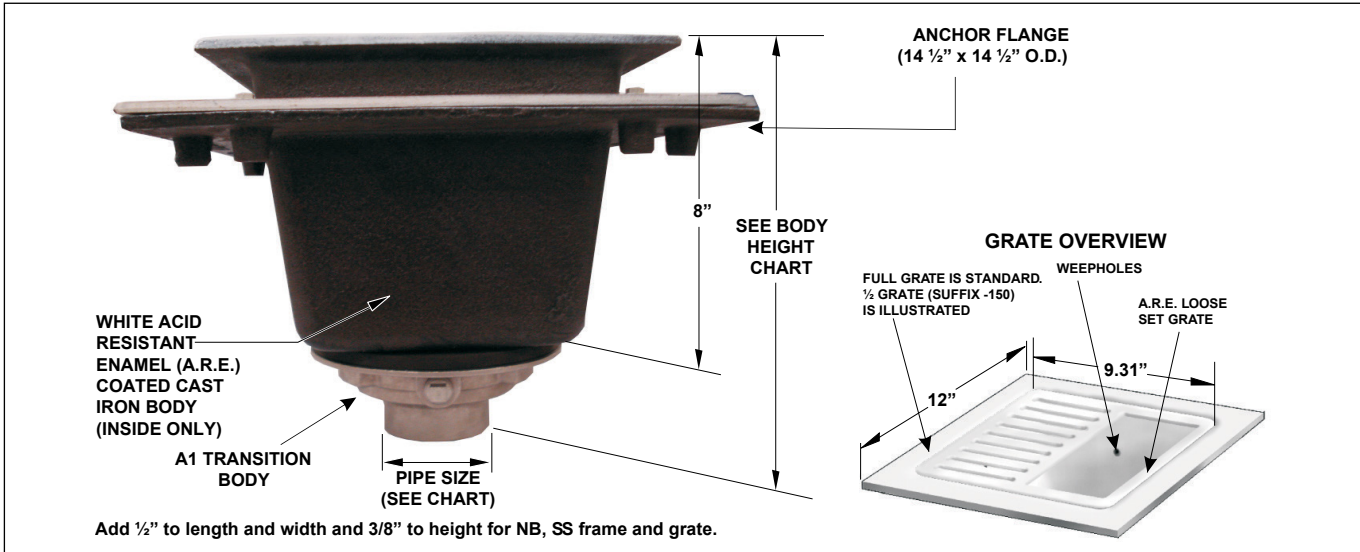


**FS1730-FL-TB**

**12" X 12" X 8" FLOOR AREA AND INDIRECT SANITARY WASTE DRAIN WITH FLANGE**

**Specification:** MIFAB Series FS1730-FL-TB, 12" x 12" x 8" deep cast iron floor area and indirect sanitary waste drain complete with white acid resistant porcelain enamel coated interior, loose set grate and anchor flange with weepholes. Anti-splash aluminum dome strainer included.

**Function:** Used in kitchens, restaurants, grocery stores, hospitals, schools, and other areas that require a large volume sanitary drain. Also suitable for indirect waste applications. The anchor flange is engineered to receive water proofing membrane. Membrane clamps are recommended for use with the anchor flange (Suffix -C). The light duty grate is not recommended for foot traffic. The floor sink body is made with a 4" NPSM threaded connection so that any one of MIFAB's A1 bodies can be threaded onto the underside of the body with a water sealing gasket between the underside of the floor sink and the A1 body.



PIPE SIZE	BODY HEIGHT				
	NO HUB (STANDARD)	PUSH ON (P)	INSIDE CAULK (X)	THREADED (T)	PVC (-30) / ABS (-31)
2" (51)	*10 1/2" (267)	*10 7/8" (276)	*12" (305)	*10 1/2" (267)	*11 1/4" (286)
3" (76)	*10 1/2" (267)	*10 7/8" (276)	*12" (305)	*10 7/8" (276)	*11 1/4" (286)
4" (102)	*10 1/2" (267)	*10 7/8" (276)	**10 5/8" (270)	*10 7/8" (276)	*11 1/4" (286)

\*Indicates outlet size and connection available with transition outlet body only.

\*\*4" Inside Caulk connection not available with a transition outlet body. One piece body only. Outlet sizes indicated by the \* are available with the transition outlet body only

Suffix	Description
-1	Nickel bronze frame and grate
-3	Stainless steel frame and grate
-5	Sediment bucket
-6	Security screws (1, -3 only, T-20 Torx and pin)
-7	1/2" trap seal primer connection
-8	Backwater valve (2", 3" or 4")
-9	Hinged grate (-3 only)
-21	Secondary flat stainless steel strainer
-22	Less grate
see FS1930-FL	Stainless steel body (Type 304)
see FS1930-FL	Stainless steel body (Type 316)
-30	PVC outlet
-31	ABS outlet
-32	Deep seal trap with flushing connection
-50	A.R.E. coated cast iron funnel
-51	2 1/2" round center hole in grate (-1, -3 only)
-69	Stainless steel sediment bucket

-83	Stainless steel mesh screen over sediment bucket
-90	Threaded side outlet
-90NH	No hub side outlet
-95	Client logo (-1, -3 only)
-150	1/2 grate
-175	3/4 grate
-BA	Buy American Act compliant product
(Standard)	No hub outlet
-F4	4" round funnel
-F6	6" round funnel
-FL	Anchor flange
-G	4" x 9" oval funnel
-J	3" x 1" oval funnel
-P	Push on outlet
-PA	Pennsylvania Steel Act compliant product
-T	Threaded outlet
X	Inside caulk outlet
-Z	Extended wide elastomeric flange (with -FL only)

CALIFORNIA PROPOSITION 65 WARNING. This product contains chemicals known to the State of California to cause cancer and birth defects or other reproductive harm.

Job Name: \_\_\_\_\_  
 Section No: \_\_\_\_\_  
 Schedule No: \_\_\_\_\_

Page No: \_\_\_\_\_  
 Contractor: \_\_\_\_\_  
 Purchase Order No: \_\_\_\_\_