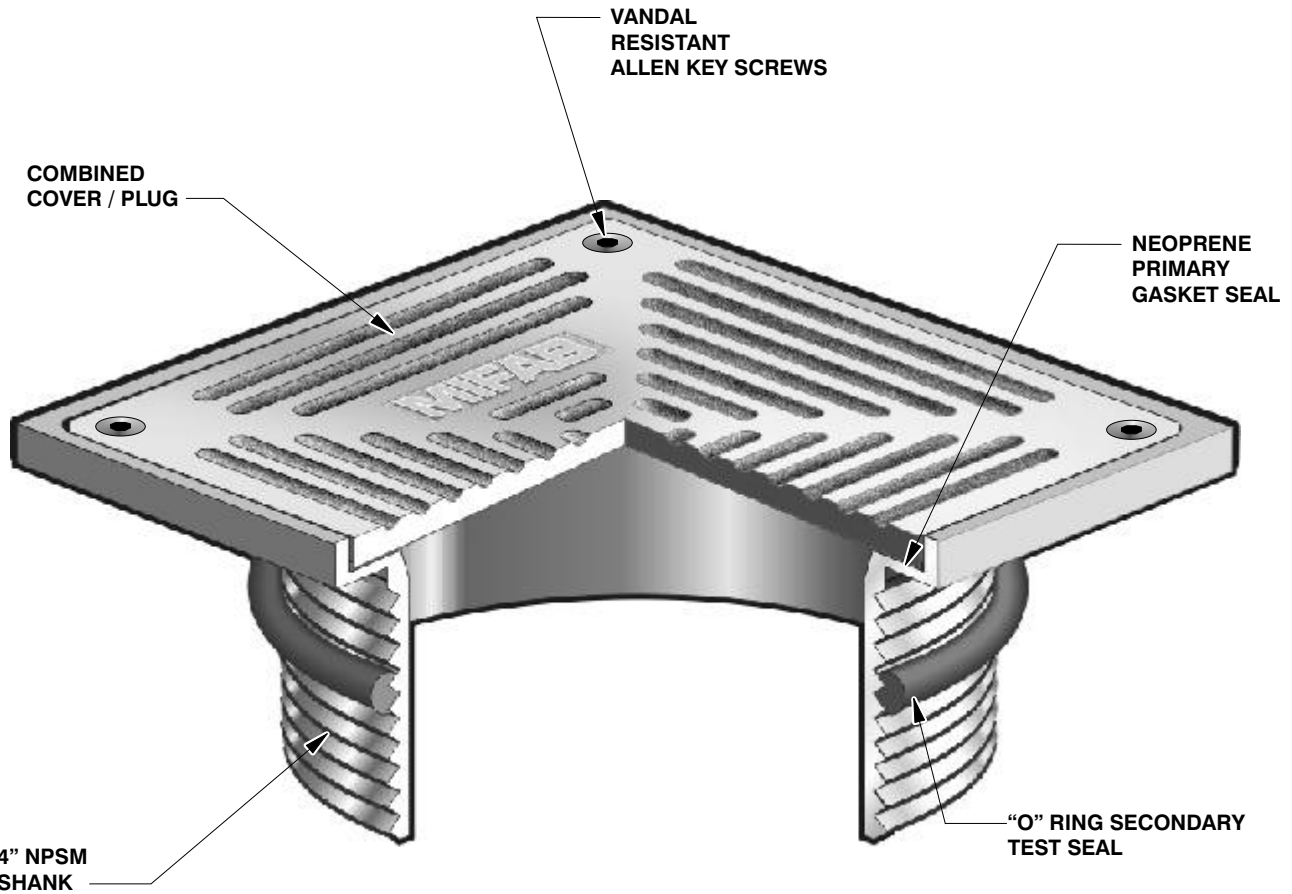


Specification: MIFAB® Series 6S-1, 6"x6" reinforced square solid nickel bronze combined cover and plug cleanout top, equipped with a primary neoprene gasket gas seal and secondary o-ring test seal. This cleanout complies with ANSI/ASME load rating of up to 4,999 lbs. Also available in stainless steel (Suffix -3).



OPTIONAL VARIATIONS: **SUFFIX**
 Stainless steel (Type 304) -3
 Security screws (TR25 Torx & pin) -6

Job Name: _____
 Section No: _____
 Schedule No: _____

Page No: _____
 Contractor: _____
 Purchase Order No: _____