

Location: _____

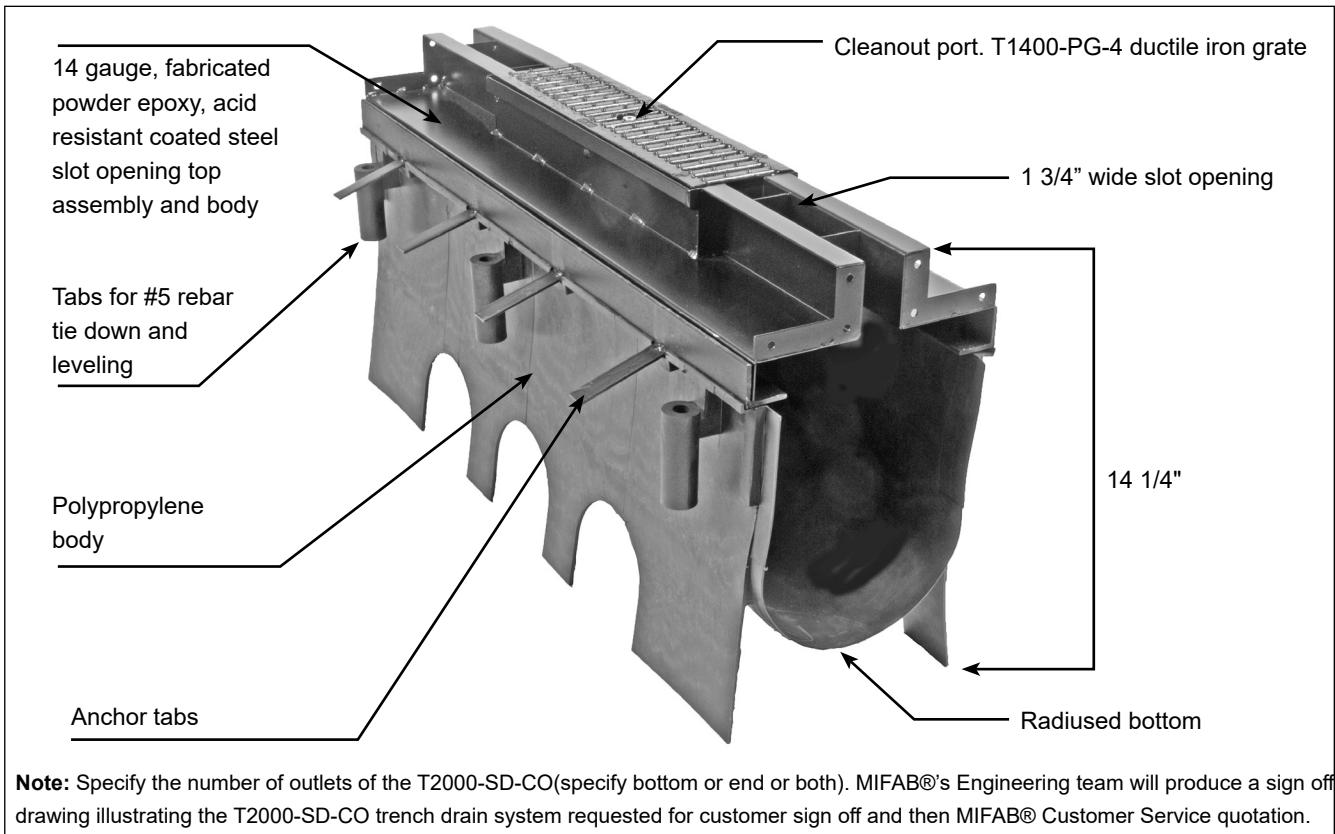


T2000-SD-CO

14 1/4" DEEP, 12" WIDE, POLYPROPYLENE BODY SLOT DRAIN CLEANOUT PORT WITH 6" WIDE GRATE

Specification: MIFAB® Series T2000-SD-CO, 39.40" long, 12" wide and 14 1/4" deep slot drain with cleanout port. Body is manufactured from polypropylene. Each body has three tabs on each side for #5 rebar tie down and leveling. Bodies have interlocking ends, a radiused bottom for efficient liquid drainage and have staggered, semi-circular cutouts on each side at the bottom to enable concrete flow underneath the body. Grates are 6" wide and available in ductile iron, galvanized steel, stainless steel and plastic along with grate lockdown hardware for each grate to secure to the body. These grates are available in Class A, B, C, D and E along with ADA compliance (see page 24). The slot opening top assembly is manufactured from 14 gauge steel and finished with an acid resistant powder epoxy coating. Specify -3 for a fabricated Type 304 stainless steel slot opening top assembly. Specify -HD for a fabricated heavy duty steel slot opening top assembly for dynamic loads. End and bottom outlets are available in 4" or 6" no hub outlet connections. Catch basins are also available.

Function: Used inline with the T2000-SD slot drain Series to maintain a visual appearance of a continuous trench drain installation while providing a cleanout port for accumulated debris.



Note: Specify the number of outlets of the T2000-SD-CO (specify bottom or end or both). MIFAB®'s Engineering team will produce a sign off drawing illustrating the T2000-SD-CO trench drain system requested for customer sign off and then MIFAB® Customer Service quotation.

End caps / Outlets / Accessories

Suffix	Description
-BA	Buy American Act compliant product
-PA	Pennsylvania Steel Act compliant product
-PEC	Closed end cap
-PEO	Combination 3" or 4" no hub end outlet
-PBO	Combination 3" or 4" no hub bottom outlet
-7MG	MI-GARD trap seal protection device (available for 1-1/2", 2", 3", 3-1/2", 4" and 6" outlet connections)

Accessories and 45 and 90 Degree Fabrications

-3	Type 304 Stainless Steel Frame with 1 3/4" wide slot & T1400-PGV-4-3 ductile iron grate with stainless steel veneer
-13	Galvanized Steel Frame with 1 3/4" wide slot and T1400-PG-4-13 ductile iron galvanized grate
-HP-4	Steel Frame with 1 3/4" wide slot and T1400-PG-HP-4 ductile iron heel proof grate
-HP-4-13	Steel Frame with 1 3/4" wide slot & T1400-PG-HP-4-13 ductile iron heel proof galvanized grate
-HD	Heavy duty steel 1 3/4" wide slot opening top assembly for dynamic loads with T1400-PG-4 ductile iron grate

CALIFORNIA PROPOSITION 65 WARNING. This product contains chemicals known to the State of California to cause cancer and birth defects or other reproductive harm.

Job Name: _____ Page No: _____
 Section No: _____ Contractor: _____
 Schedule No: _____ Purchase Order No: _____