

Location: \_\_\_\_\_

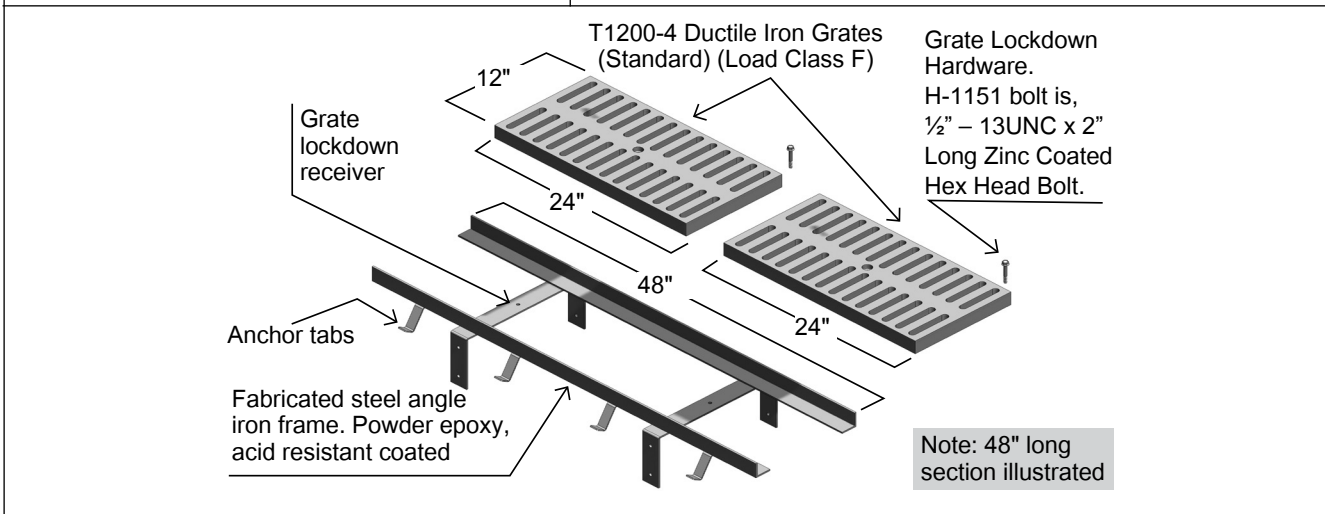
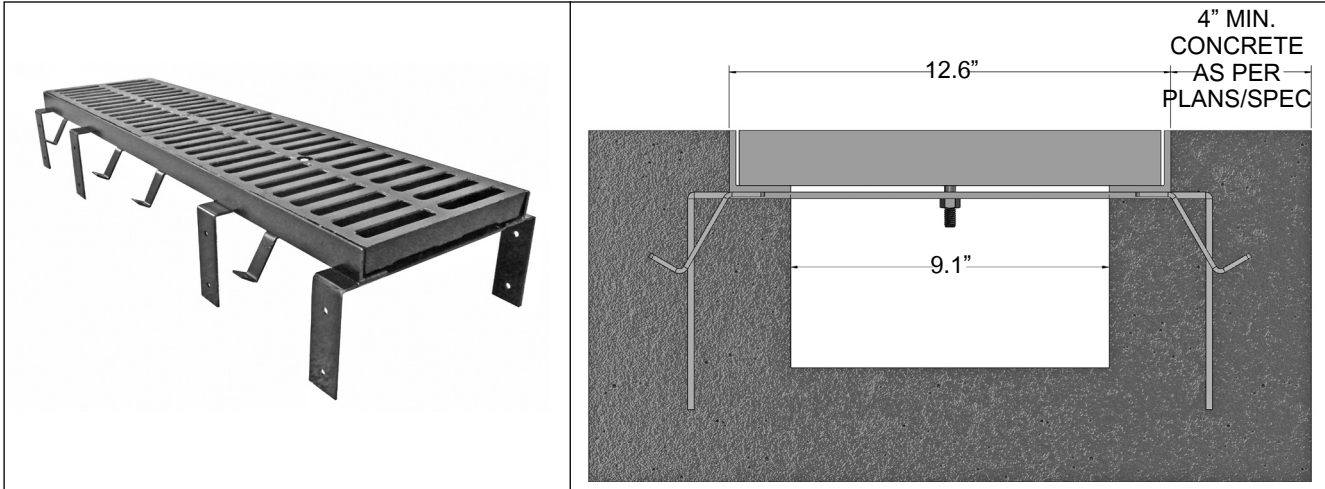


**T1200-F**

**12" x 24" TRENCH DRAIN GRATE WITH  
OPTIONAL "F" ANGLE FRAME**

**Specification:** MIFAB® Series T1200-F, 12" wide, frame and grate system available in 24" long increments with a heavy duty angle iron frame assembly (1 3/4" x 1 3/4" x 1.875") for all grates to secure to and finished with an acid resistant powder epoxy coating. Each 24" long section has two 1" x 3" long anchor tabs / leveling devices for securing into the surrounding concrete. Complete with MIFAB's standard ductile iron grate (T1200-4). Load Class F.

**Function:** Used in airports, car washes, malls, parking lots, factories and any other facilities that require areas of surface drainage. The standard heavy duty angle iron frame provides for maximum load bearing capability. No body is provided as the channel is typically formed into the concrete by the installer. An infinite number of sections can be assembled together to serve any requirement.



MODEL NUMBER	SIZE	GRATE MATERIAL	FRAME MATERIAL
T1200-4	12" x 24" grate	Ductile Iron	None
T1200-4-3	12" x 24" grate	DI grate W/SS veneer	None
T1200-F-4	12 1/2" x 24 1/2" section	Ductile Iron	Steel
T1200-F-4-3	12 3/8" x 24 3/8" section	Ductile Iron, SS veneer	Stainless Steel

Suffix	Description
-BA	Buy American Act compliant product
-PA	Pennsylvania Steel Act compliant product
-6	Vandal proof – per grate (H-1072)

-11	All acid resistant epoxy coated – per section
-13	All galvanized – per section
-95	Client logo (-3 SS veneer only) per grate

CALIFORNIA PROPOSITION 65 WARNING. This product contains chemicals known to the State of California to cause cancer and birth defects or other reproductive harm.

Job Name: \_\_\_\_\_ Page No: \_\_\_\_\_  
 Section No: \_\_\_\_\_ Contractor: \_\_\_\_\_  
 Schedule No: \_\_\_\_\_ Purchase Order No: \_\_\_\_\_