

Location: _____

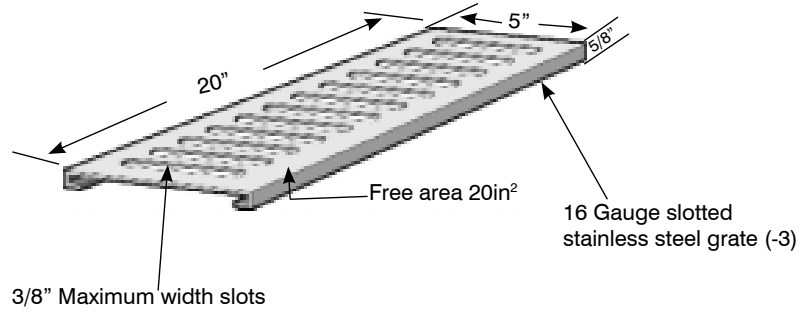


T1000

5" WIDE X 20" LONG STAINLESS STEEL TRENCH DRAIN GRATE WITH OPTIONAL "F" ANGLE FRAME

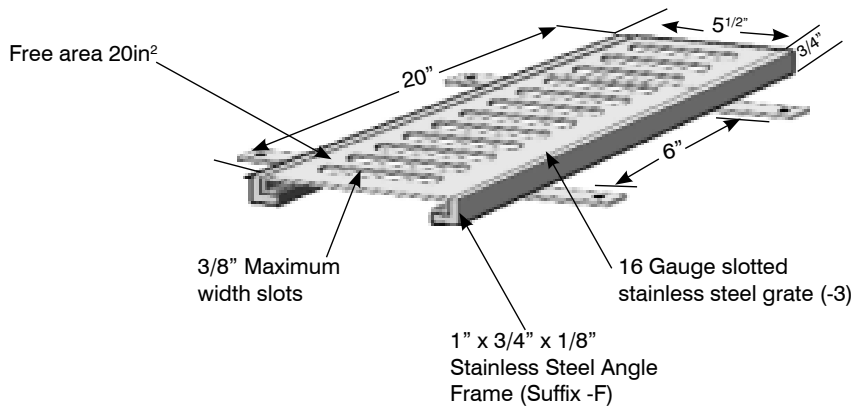
Specification: MIFAB® Series T1000-3, 5" wide x 20" long stainless steel trench drain grate. Grates to have maximum 3/8" openings. Supply in sections as indicated on drawings.

T1000-3



Specification: MIFAB® Series T1000-F-3, 5 1/2" wide x 20" long stainless steel trench drain grate and frame. Grates to have maximum 3/8" openings. Supply in sections as indicated on drawings.

T1000-F-3



MODEL NO.	SIZE	GRATE MATERIAL	FRAME MATERIAL
T1000-3	5" x 20" x 5/8" grate	Stainless Steel	None
T1000-F-3	5 1/2" x 20" x 3/4" section	Stainless Steel	Stainless Steel

Suffix	Description
-6	Vandal proof - per grate (H-1110)
-11	Acid resistant coated frame assembly
-13	Galvanized frame assembly

CALIFORNIA PROPOSITION 65 WARNING. This product contains chemicals known to the State of California to cause cancer and birth defects or other reproductive harm.

Job Name: _____ Page No: _____
 Section No: _____ Contractor: _____
 Schedule No: _____ Purchase Order No: _____