

Location: \_\_\_\_\_



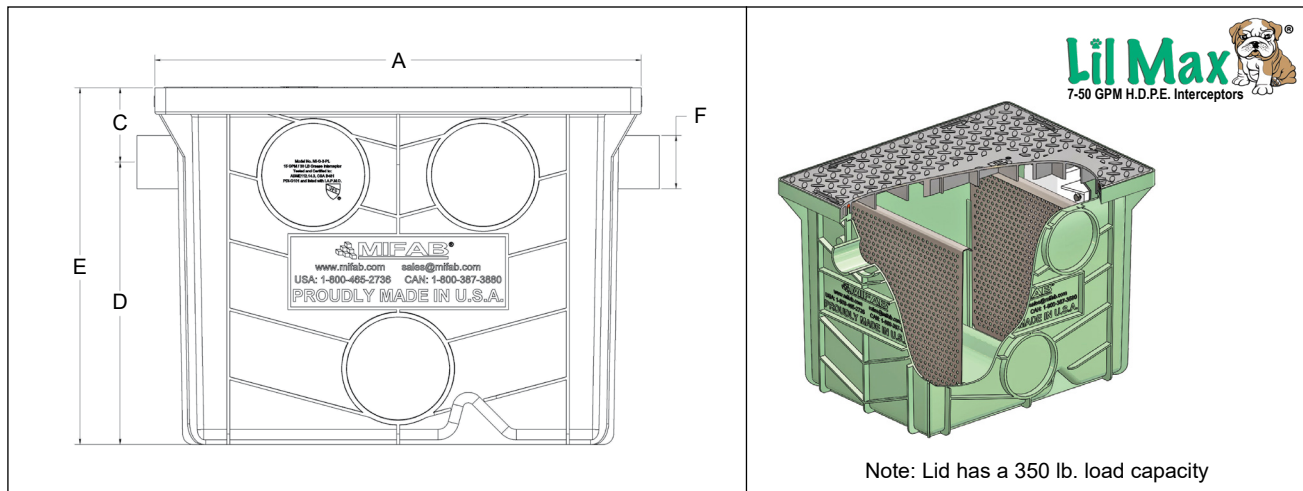
**MI-RICE-PL**

**Lil Max® - 7 to 50 GPM  
Rice Interceptors**



**Specification:** MIFAB® Series MI-RICE-PL \_\_\_\_ HDPE injection molded rice interceptor with flow rating of \_\_\_\_ (indicate) and liquid holding capacity of \_\_\_\_ (indicate). Unit shall include: two internal straining baffles with 1/4" diameter holes spaced 1/2" apart, internal deep seal trap and HDPE injection molded, non skid, rectangular gasketed lid with securing latches.

**Function:** Used in restaurants, kitchens, institution and other types of food processing areas where rice drains with the waste water. Typically installed either on or recessed in the floor. Regular maintenance is required to keep the interceptor functioning. The rice interceptor will filter out rice and sediment from the fixture waste line before entering the pipe system to reduce clogging. Interceptor is cleaned by removing the top gasketed lid and accessing the internal straining baffle. Simple latch design permits fast and easy removal of the lid for cleaning and maintenance. HDPE injection molded body and lid are covered by a limited lifetime warranty.



MODEL NO.	FLOW RATE (GPM)	LIQUID HOLDING CAPACITY (U.S.G.)	A (IN)	B (IN) WIDTH	C (IN)	D (IN)	E (IN)	F (IN)	Shipping Weight (lbs.) (in box)	Box Dimensions (L x W x H)
MI-RICE-7-PL	7	7.14	19.5	15.5	3.5	9	12.5	2	21	22" x 16" x 13"
MI-RICE-10-PL	10	10.99	23	17.5	3.5	9.75	13.25	2	30	25" x 18" x 14"
MI-RICE-15-PL	15	19.77	23	17.5	3.5	13.25	16.75	2	33	25" x 18" x 17.5"
MI-RICE-20-PL	20	18.57	29.5	20.5	3.5	10.75	14.25	3	41	32" x 21" x 15"
MI-RICE-25-PL	25	26.60	29.5	20.5	3.5	14.75	18.25	3	44	32" x 21" x 19"
MI-RICE-35-PL	35	44.56	33	25.5	5.5	16.75	22.25	3	57	35" x 26" x 23"
MI-RICE-50-PL	50	50.41	33	25.5	5.5	18.75	24.25	3	71	35" x 26" x 25"

Suffix	Description
-C	Extension "C" as required (up to 9" increments) (for models MI-RICE-20-PL and MI-RICE-25-PL) (contact MIFAB for other model extensions)
-C	Extension "C" as required (up to 9" increments) (for models MI-RICE-35-PL and MI-RICE-50-PL)
-F	Connection sizes different from standard (specify size) (by using a MIFAB MI-HUB increasing / reducing coupling).
-FSCR	Stainless steel fine screen sediment bucket for MI-RICE-7-PL
-FSCR	Stainless steel fine screen sediment bucket for MI-RICE-10-PL
-FSCR	Stainless steel fine screen sediment bucket for MI-RICE-15-PL

-FSCR	Stainless steel fine screen sediment bucket for MI-RICE-20-PL
-FSCR	Stainless steel fine screen sediment bucket for MI-RICE-25-PL
-FSCR	Stainless steel fine screen sediment bucket for MI-RICE-35-PL
-FSCR	Stainless steel fine screen sediment bucket for MI-RICE-50-PL
-HD	Heavy duty 10 gauge steel lid (up to 2,000 lbs.) - see MI-CS cover shrouds from the MPB price book
-LHSI	No hub inlet on left hand side
-RHSI	No hub inlet on right hand side
-T	Female threaded connections

CALIFORNIA PROPOSITION 65 WARNING. This product contains chemicals known to the State of California to cause cancer and birth defects or other reproductive harm.

Job Name: \_\_\_\_\_ Page No: \_\_\_\_\_  
 Section No: \_\_\_\_\_ Contractor: \_\_\_\_\_  
 Schedule No: \_\_\_\_\_ Purchase Order No: \_\_\_\_\_

MIFAB reserves the right to make changes in material and design without formal notice and obligation. USA: 1-800-465-2736 www.mifab.com CAN: 1-800-387-3880

2018-04-29