

Location: _____



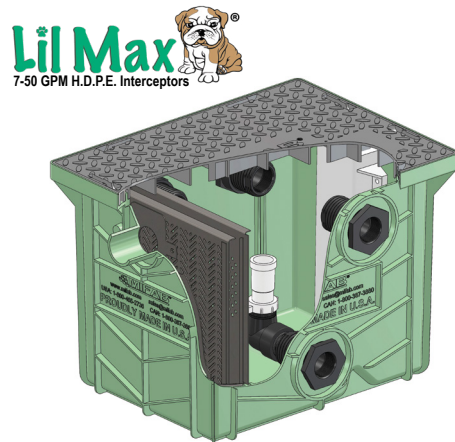
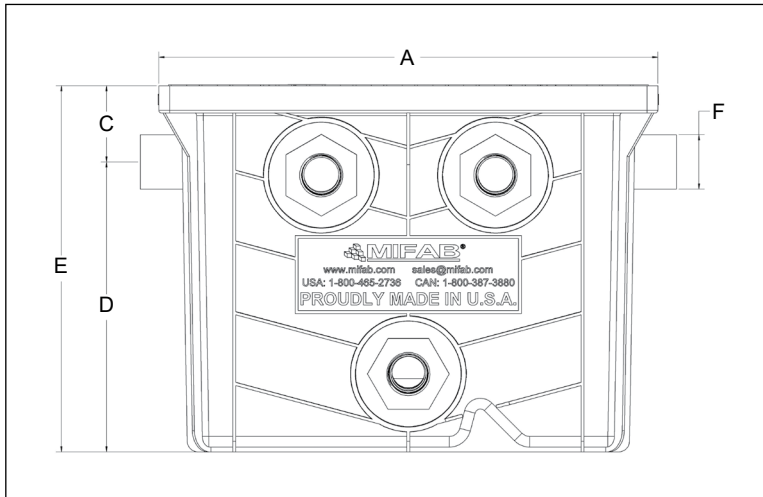
MI-O-PL

**Lil Max® – 10 to 50 GPM
HDPE Oil Interceptors**



Specification: MIFAB® Series MI-O-PL _____ HDPE injection molded oil interceptor with flow rating of _____ (indicate) and oil storage holding capacity of _____ (indicate). Unit shall include: sediment bucket (1/4" diameter holes) with perforated baffle (3/8" x 1 1/4" slots) near inlet, deep seal trap covered by lid, sewer gas stopper, securing latches, stainless steel calibrated orifice plate, internal air relief by-pass, adjustable automatic draw-off assembly, double vent connection on each side, and HDPE injection molded, non skid, rectangular gasketed lid(s).

Function: Oil interceptors are required anywhere oil and sand may be introduced to the public sewer system in applications such as: repair garages, oil change stations, car wash facilities, parking garages, parking lots, hydraulic elevator pits and facilities where oil and flammable liquid waste are produced as a result of manufacturing, storage, maintenance, repair or testing processes. The interceptor collects the oil before it is drained to an adjacent storage tank through an adjustable draw off system. Sediment and debris are collected inside of the internal sediment bucket. Regular maintenance is required to keep the interceptor functioning. Interceptor may be installed on the ground, semi recessed or flush with the floor. Sewer gas stopper prevents foul odors from entering the facility through the interceptor. Simple latch design permits fast and easy removal of the lid for cleaning and maintenance. HDPE injection molded body and lid are covered by a limited lifetime warranty.



Note: Lid has a 350 lb. load capacity

MODEL NO.	FLOW RATE (GPM)	OIL STORAGE HOLDING CAPACITY (U.S.G.)	A (IN)	B (IN) WIDTH	C (IN)	D (IN)	E (IN)	F (IN)	Shipping Weight (lbs.) (in box)	Box Dimensions (L x W x H)
MI-O-A-PL	10	9.73	23	17.5	3.5	9.75	13.25	2	30	25" x 18" x 14"
MI-O-B-PL	15	13.59	23	17.5	3.5	13.25	16.75	2	33	25" x 18" x 17.5"
MI-O-C-PL	20	20.07	29.5	20.5	3.5	10.75	14.25	3	41	32" x 21" x 15"
MI-O-1-PL	25	55.15	29.5	20.5	3.5	14.75	18.25	3	44	32" x 21" x 19"
MI-O-2-PL	35	74.67	33	25.5	5.5	16.75	22.25	3	57	35" x 26" x 23"
MI-O-3-PL	50	80.76	33	25.5	5.5	18.75	24.25	3	71	35" x 26" x 25"

Suffix	Description
-C	Extension "C" as required (up to 9" increments) (for models MI-O-C-PL and MI-O-1-PL) (contact MIFAB for other model extensions)
-C	Extension "C" as required (up to 9" increments) (for models MI-O-2-PL and MI-O-3-PL)
-F	Connection sizes different from standard (specify size) (by using a MIFAB MI-HUB increasing / reducing coupling).
-FLC	External, vented flow control fitting

-HD	Heavy duty 10 gauge steel lid (up to 2,000 lbs.) - see MIC-S cover shrouds from the MPB price book
-HLA	High level alarm and float switch (to be installed on site)
-HT	Holding Tank
-LHSI	No hub inlet on left hand side (not available with sediment bucket)
-RHSI	No hub inlet on right hand side (not available with sediment bucket)
-T	Female threaded connections

CALIFORNIA PROPOSITION 65 WARNING. This product contains chemicals known to the State of California to cause cancer and birth defects or other reproductive harm.

Job Name: _____ Page No: _____
 Section No: _____ Contractor: _____
 Schedule No: _____ Purchase Order No: _____