

Location: \_\_\_\_\_

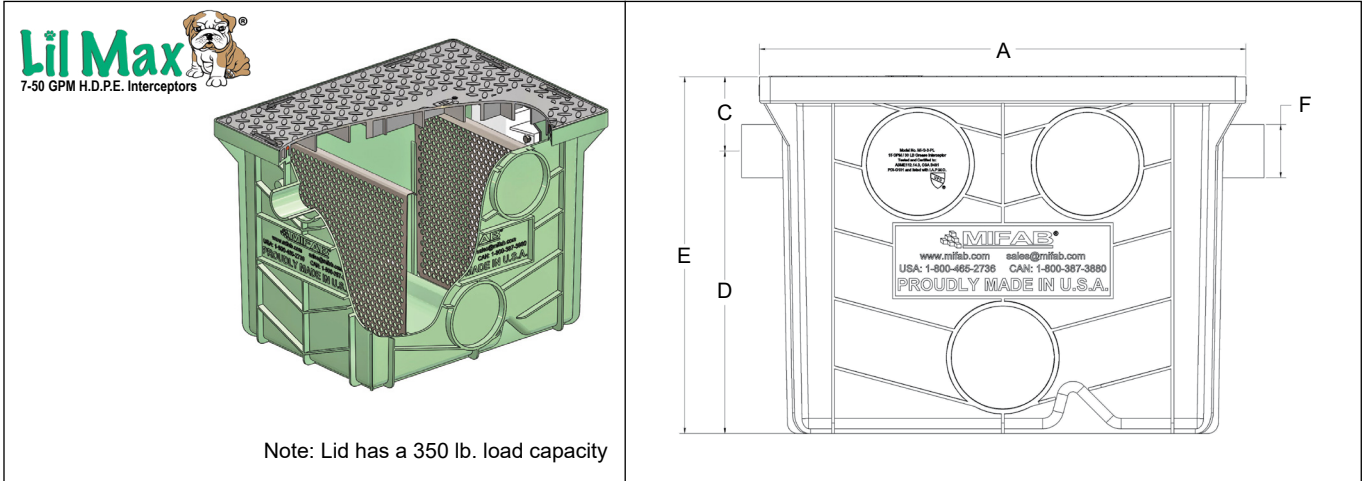


**Lil-L**

**Lil Max® – 7 to 50 GPM  
Lint Interceptors**

**Specification:** MIFAB® Series Lil-(specify size)-L HDPE injection molded lint interceptor with flow rating of \_\_\_\_ (indicate) and liquid holding capacity of \_\_\_\_ (indicate). Unit shall include: two internal straining baffles with 3/8" diameter holes spaced 1/2" apart, internal deep seal trap, and HDPE injection molded, non skid, rectangular gasketed lid with securing latches.

**Function:** Used in maintenance facilities to receive waste water that contains lint. Typically installed either on or recessed in the floor. Regular maintenance is required to keep the interceptor functioning. The lint interceptor will filter out lint and sediment from the fixture waste line before entering the pipe system to reduce clogging. Interceptor is cleaned by removing the top gasketed lid and accessing the internal straining baffle. Simple latch design permits fast and easy removal of the lid for cleaning and maintenance. HDPE injection molded body and lid are covered by a limited lifetime warranty. All Lil Max interceptors can withstand a temperature of up to and including 180 degrees Fahrenheit.



Note: Lid has a 350 lb. load capacity

MODEL NO.	FLOW RATE (GPM)	LIQUID CAP. (Gallons / Cu. Ft.)	SOLIDS CAP. (Gallons / Cu. Ft.)	A (IN)	B (IN) WIDTH	C (IN)	D (IN)	E (IN)	F (IN)	Shipping Weight (lbs.) (in box)	Box Dimensions (L x W x H)
Lil-7-L	7	5.8 / .75	3 / .40	19.5	15.5	3.5	9	12.5	2	21	22" x 16" x 13"
Lil-10-L	10	9.2 / 1.2	4.5 / .61	23	17.5	3.5	9.75	13.25	2	30	25" x 18" x 14"
Lil-15-L	15	13 / 1.7	6.5 / .87	23	17.5	3.5	13.25	16.75	2	33	25" x 18" x 17.5"
Lil-20-L	20	16 / 2.1	8 / 1.10	29.5	20.5	3.5	10.75	14.25	3	41	32" x 21" x 15"
Lil-25-L	25	23 / 3.1	11.5 / 1.54	29.5	20.5	3.5	14.75	18.25	3	44	32" x 21" x 19"
Lil-35-L	35	39 / 5.2	20 / 2.70	33	25.5	5.5	16.75	22.25	3	57	35" x 26" x 23"
Lil-50-L	50	14.5 / 1.94	22 / 2.95	33	25.5	5.5	18.75	24.25	3	71	35" x 26" x 25"

SUFFIX	OPTIONAL VARIATIONS	PART NO.
-C	Extension "C" as required (up to 9" increments) (for models Lil-20-L and Lil-25-L) (contact MIFAB for other model extensions)	Lil-25-EXT
-C	Extension "C" as required (up to 9" increments) (for models Lil-35-L and Lil-50-L)	Lil-50-EXT
-F	Connection sizes different from standard (specify size) (up to 4" with No Hub and up to 3" with F.I.P. connection)	Contact MIFAB
-FSCR	Stainless steel fine screen sediment bucket for Lil-7-L	MI-G-1-PL-PSB-FSCR
-FSCR	Stainless steel fine screen sediment bucket for Lil-10-L	MI-G-2-PL-PSB-FSCR
-FSCR	Stainless steel fine screen sediment bucket for Lil-15-L	MI-G-3-PL-PSB-FSCR
-FSCR	Stainless steel fine screen sediment bucket for Lil-20-L	MI-G-4-PL-PSB-FSCR
-FSCR	Stainless steel fine screen sediment bucket for Lil-25-L	MI-G-5-PL-PSB-FSCR
-FSCR	Stainless steel fine screen sediment bucket for Lil-35-L	MI-G-6-PL-PSB-FSCR
-FSCR	Stainless steel fine screen sediment bucket for Lil-50-L	MI-G-7-PL-PSB-FSCR
-HD	Heavy duty 10 gauge stainless steel re-enforced lid - 2,000 lbs. load rating. (see pg. 26 for image)	Contact MIFAB
-LHSI	No hub inlet on left hand side (not available with sediment bucket) (for Lil Max, Big Max, SuperMax)	MI-G-PL-PF4
-LHSO	No hub outlet on left hand side (not available with sediment bucket) (for Lil Max, Big Max, SuperMax)	MI-G-PL-PF4
-RHSI	No hub inlet on right hand side (not available with sediment bucket) (for Lil Max, Big Max, SuperMax)	MI-G-PL-PF4
-RHSO	No hub outlet on right hand side (not available with sediment bucket) (for Lil Max, Big Max, SuperMax)	MI-G-PL-PF4
-SP-IN	External sampling port - inline	Lil-SP
-SP-OF	External sampling port - offset	Lil-SP-OF
-T	Female threaded connections (for Lil Max, Big Max, SuperMax - two pieces required)	MI-G-PL-PF4T

CALIFORNIA PROPOSITION 65 WARNING. This product contains chemicals known to the State of California to cause cancer and birth defects or other reproductive harm.

Job Name: \_\_\_\_\_ Page No: \_\_\_\_\_  
 Section No: \_\_\_\_\_ Contractor: \_\_\_\_\_  
 Schedule No: \_\_\_\_\_ Purchase Order No: \_\_\_\_\_