

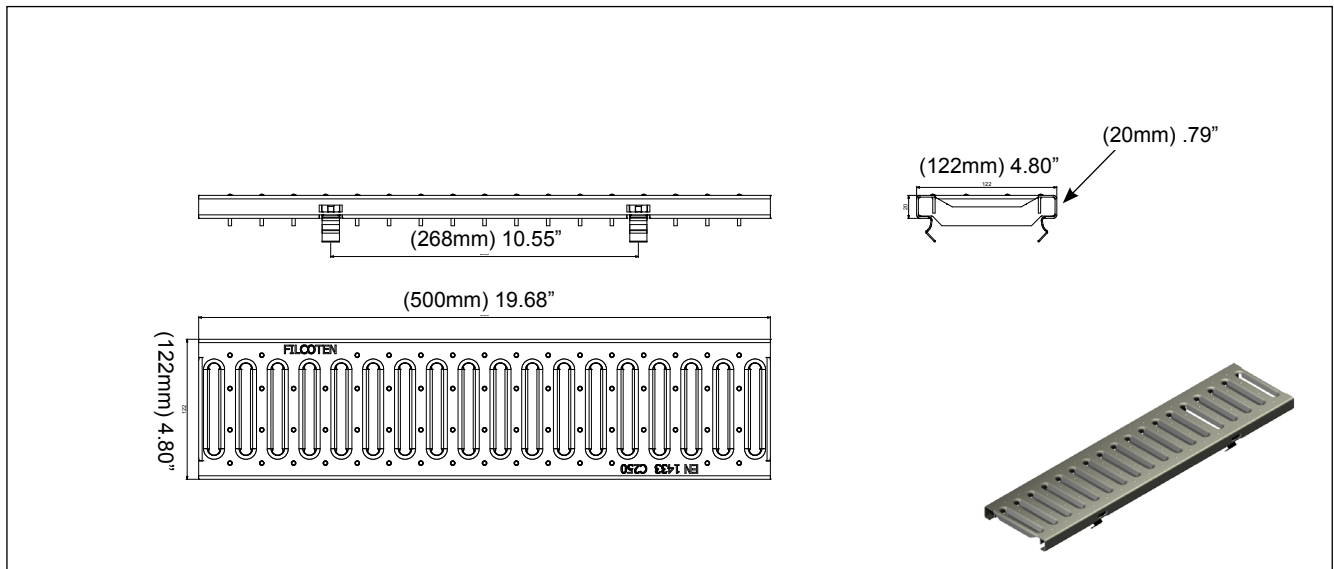
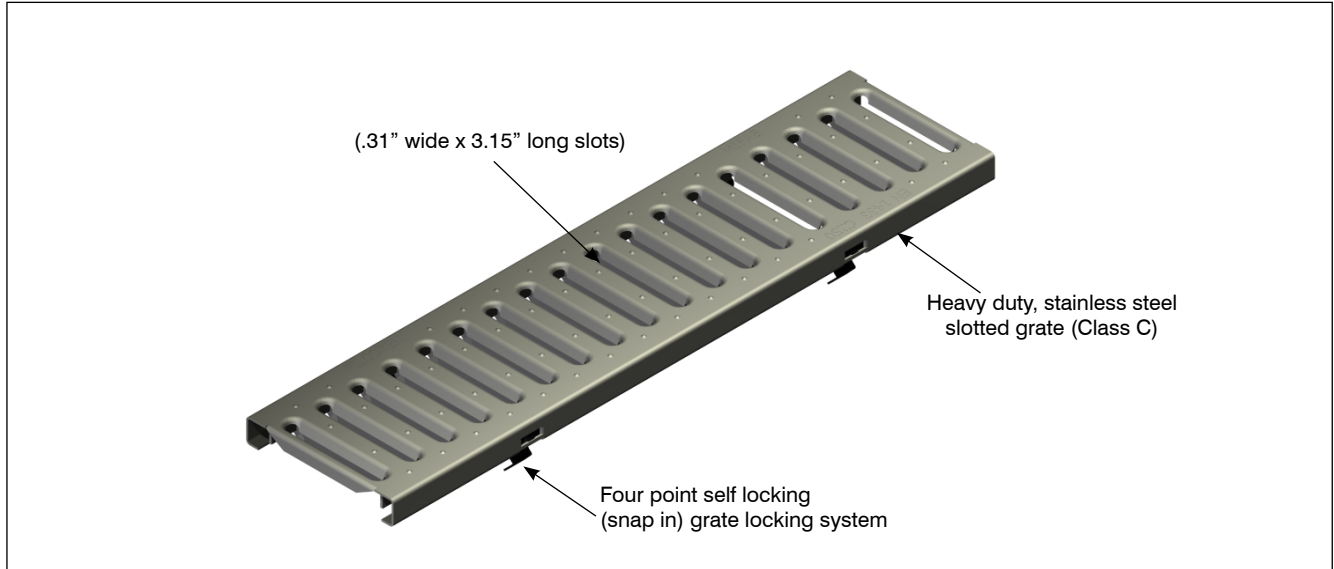
Location: _____



T1500-PG-FSSC-500

**6" WIDE, 19.68" LONG, STAINLESS STEEL,
SLOTTED, HEAVY DUTY (LOAD CLASS C) GRATE**

Specification: MIFAB T1500-PG-FSSC-500, heavy duty, (Load Class C), stainless steel (Type 304), reinforced slotted grate is 4.80" wide x 19.68" long, weighing 2.95 lbs. per linear foot. The grate has .31" wide x 3.15" long slots and has a free open area of 15.04 square inches. The grate is secured to the body with a four point self-locking (snap in) system.



SUFFIX

OPTIONAL VARIATIONS

-6

Vandal Proof grate lockdown (Stainless Steel)

Load Class C- Heavy Duty, DIN 19580, 56,000 lbs. 1.162 psi. For commercial pneumatic tire traffic patterns and tractor trailers.

Job Name: _____
Section No: _____
Schedule No: _____

Page No: _____
Contract: _____
Purchase Order No: _____

MIFAB reserves the right to make changes in material and design without formal notice or obligation.

USA: 1-800-465-2736 www.mifab.com CAN: 1-800-387-3880