

Location: _____

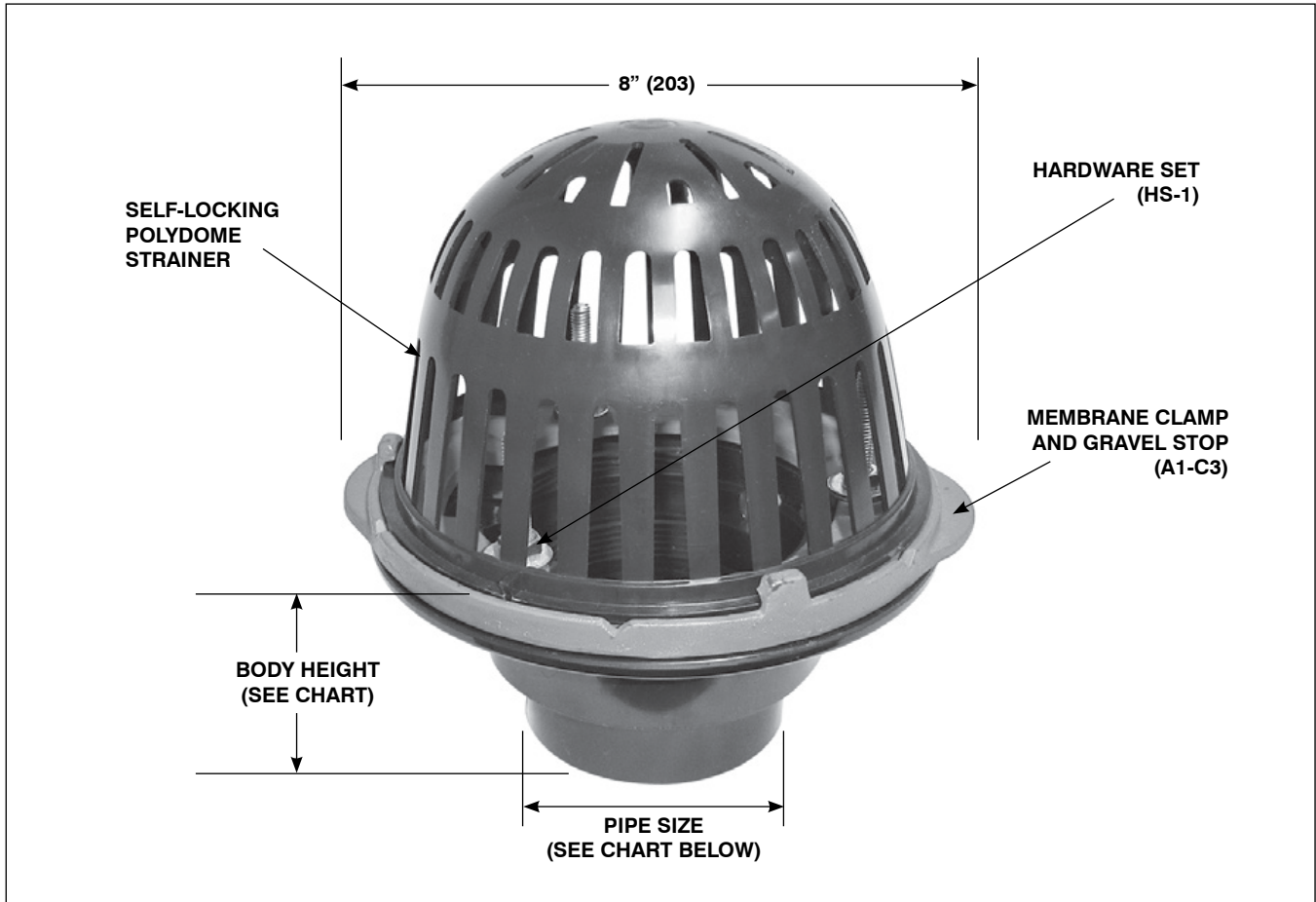


R100

**PVC OR ABS ROOF DRAIN
WITH 8" DIAMETER FLANGE**

Specification: MIFAB Series R100 lacquered cast iron roof drain with anchor flange, cast iron waterproofing membrane clamp ring with integral gravel stop, and standard self-locking polydome dome strainer with a free area of 43 square inches.

Function: Used in any type of flat roofs and gutters. 8" diameter body is ideal for applications with limited space. Dome provides for efficient drainage of rainwater and prevents debris from entering the drain line. Anchor flange and membrane clamp with tongue in groove design provides for secure grip of membrane and roof flashing materials.



Model Number	Body Height		Connection Size			Connection Type	
	Pipe Size	PVC (-30) ABS (-31)	2"	3"	4"	PVC Socket (-30)	ABS Socket (-31)
R102	2" (51)	2 15/16" (75)	YES	YES	YES	YES	YES
R103	3" (76)	3 3/4" (95)	YES	YES	YES	YES	YES
R104	4" (102)	3 3/4" (95)	YES	YES	YES	YES	YES

SUFFIX OPTIONAL VARIATIONS

- 30 With A1 PVC body and polydome
- 31 With A1 ABS body and polydome
- U Under Deck Clamp
- A1-PD Polydome only
- A1-MD Metal Dome only (-M)

Job Name: _____ Page No: _____
 Section No: _____ Contract: _____
 Schedule No: _____ Purchase Order No: _____