

Location: _____

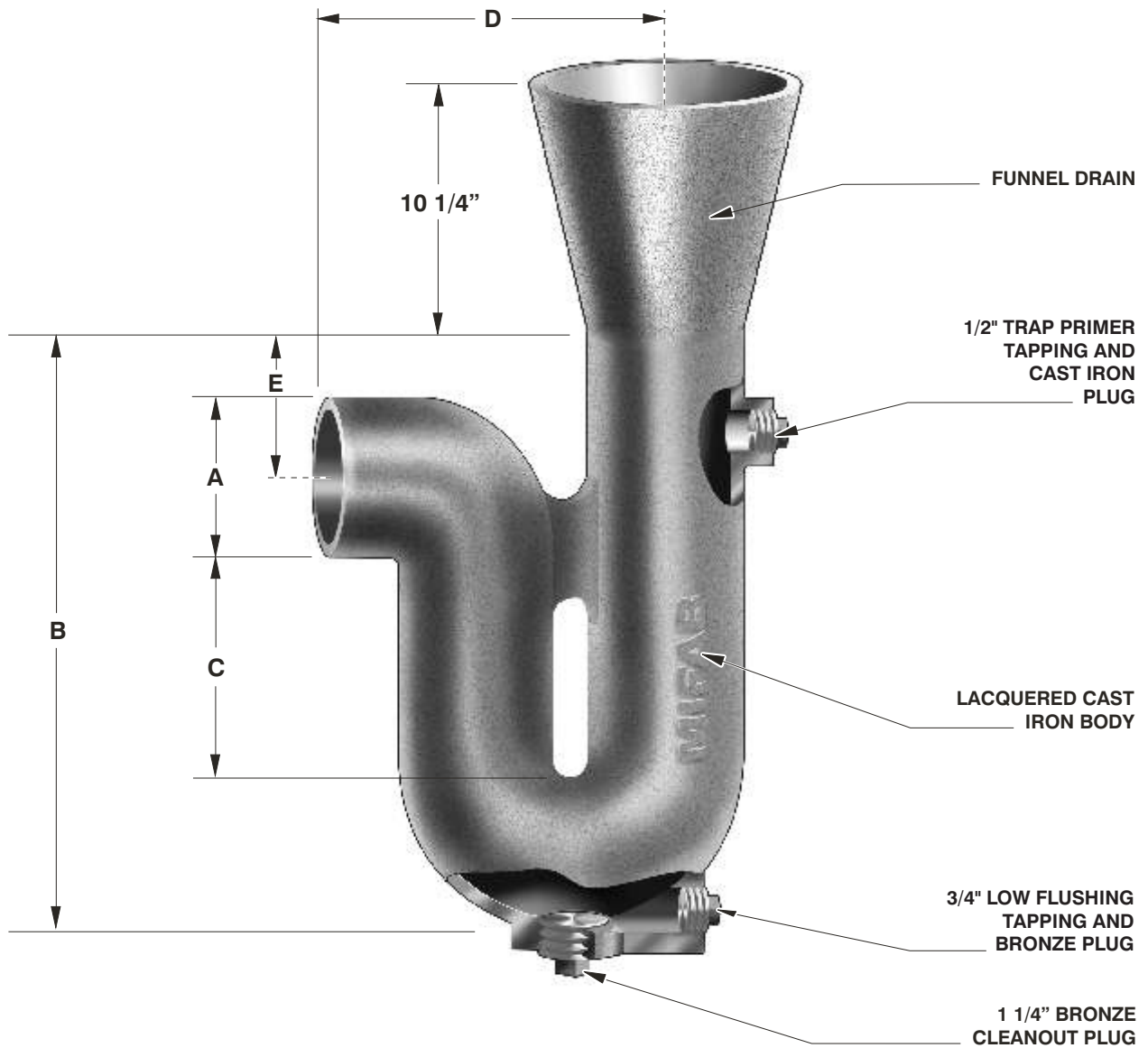


MI-950-F

FUNNEL DRAIN WITH DEEP SEAL TRAP

Specification: MIFAB® Series MI-950-F lacquered cast iron deep seal trap with funnel drain, with 1/2" trap seal primer tapping and cast iron plug, 3/4" low flushing tapping and bronze plug and 1 1/4" bottom bronze cleanout plug.

Function: Used with indirect waste lines that are above the floor and require receptors to receive drip, condensate or waste water in industrial laboratories and hospitals. The deep seal trap prevents sewer gases from entering the room.



MODEL NUMBER	"A" PIPE SIZE	"B" BODY HEIGHT	"C" TRAP DEPTH	"D" CENTER TO OUTLET	"E" INVERT
MI-952-F	2" (51)	10 1/2" (267)	3 1/2" (89)	6 1/2" (165)	3" (76)
MI-953-F	3" (76)	13 1/2" (343)	4 1/2" (114)	8" (203)	3 1/2" (89)
MI-954-F	4" (102)	15 1/2" (394)	4 1/2" (114)	10 1/2" (267)	4 1/4" (108)

SUFFIX OPTIONAL VARIATIONS:

- 6-1 6" Dia. Nickel bronze funnel
- 6-50 6" Dia. Cast iron funnel

SUFFIX

- 11 Acid resistant epoxy coating
- 13 All galvanized

SUFFIX

- 20 Secondary dome strainer
- 49 Chrome plated

Job Name: _____ Page No: _____
 Section No: _____ Contractor: _____
 Schedule No: _____ Purchase Order No: _____

MIFAB reserves the right to make changes in material and design without formal notice and obligation.

USA: 1-800-465-2736 www.mifab.com CAN: 1-800-387-3880