

Location: _____

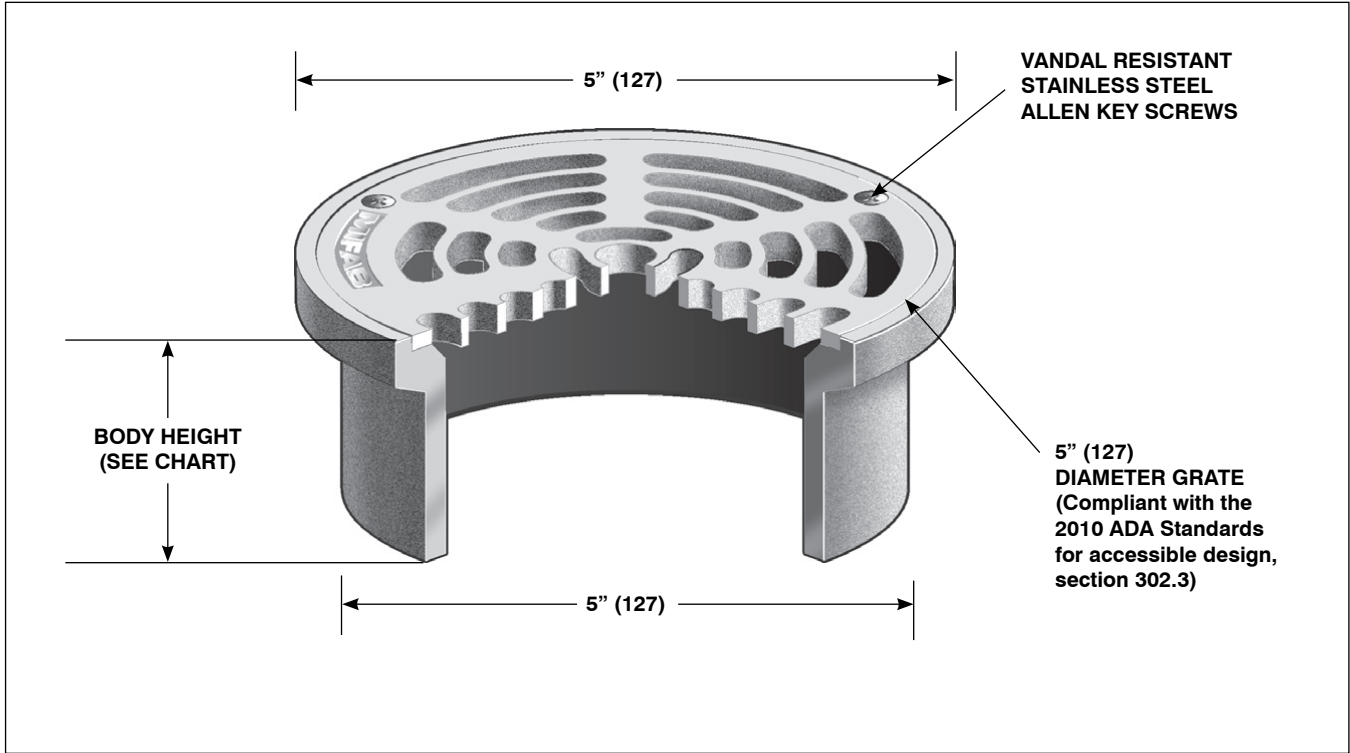


FD230

LIGHT DUTY FLOOR DRAIN

Specification: MIFAB Series FD230 lacquered cast iron floor drain with standard (specify material finish), 5" (127) diameter strainer.

Function: Used in showers, kitchens, restrooms and other non-membrane finished areas. Round strainer is used with all types of finished floors. Shallow depth body is ideal for shallow pour applications.



STRAINER DIAMETER	ANSI/ASME RATING		PIPE SIZE	BODY HEIGHT				WEIGHT LBS.	
	FREE AREA	LOAD RATING		CAST IRON BODY (NH)	NICKEL BRONZE BODY (-1)	PVC BODY (-30)	ABS BODY (-31)		
		N.B. (-1)							D.I. (-4)
5" (127)	8 in ² (5200 ²)	UP TO 2,000 LBS.	UP TO 7,499 LBS.	2" (51)	2 3/16" (56)	2 3/16" (56)	2 5/8" (67)	2 5/8" (67)	4 lbs.
				3" (76)	2 3/16" (56)	2 3/16" (56)	2 5/8" (67)	2 5/8" (67)	4 lbs.
				4" (102)	2 3/16" (56)	2 3/16" (56)	2 5/8" (67)	2 5/8" (67)	4 lbs.

Job Name: _____ Page No: _____
 Section No: _____ Contract: _____
 Schedule No: _____ Purchase Order No: _____