

Location: _____



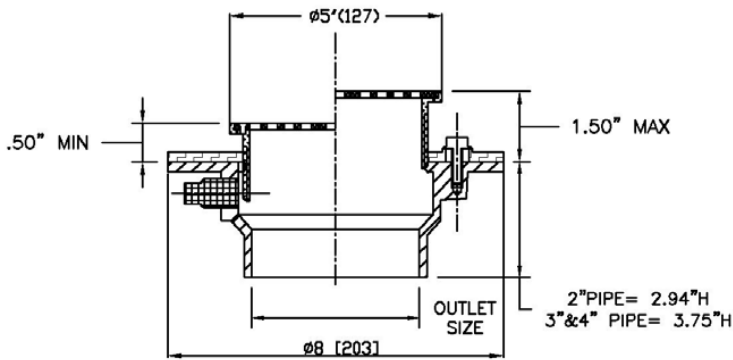
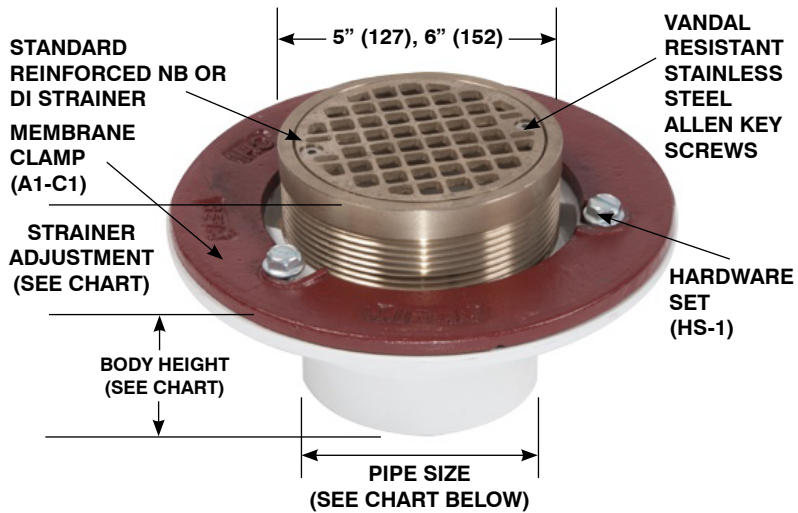
F100-C

ROUND ADJUSTABLE FLOOR DRAIN WITH FLANGE AND CLAMP

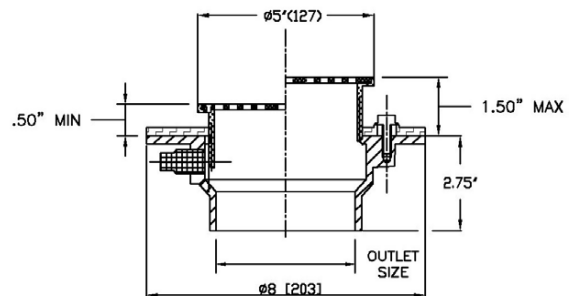
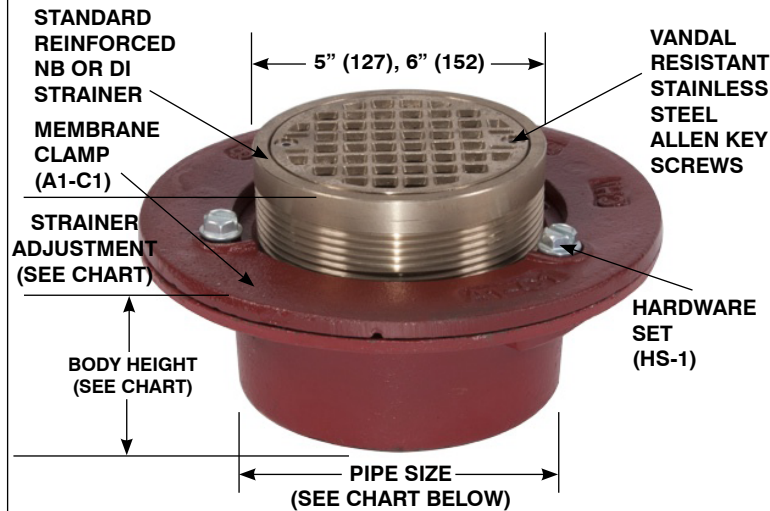
Specification: MIFAB Series F100-C lacquered cast iron floor drain with anchor flange, cast iron membrane clamp ring with primary and secondary weepholes for waterproofing membrane, and standard satin finished nickel bronze or ductile iron strainer with vandal resistant stainless steel allen key screws.

Function: Used in showers, kitchens, restrooms, and other membrane finished areas. Round adjustable strainer is used for all types of poured finished floors.

F104-30-C-5-1



F104-C-5-1



SUFFIX OPTIONAL VARIATIONS

-6 Vandal proof

STRAINER DIAMETER	STRAINER ADJUSTMENT		ANSI/ASME RATING			PIPE SIZE	NO HUB (STANDARD)	PUSH ON (P)	PVC/ABS (-30)/(-31)
			FREE AREA	LOAD RATING					
	MIN	MAX		N.B. (-1)	D.I. (-4)				
5" (127)	1/2" (13)	1 1/2" (38)	8 in ² (5200 ²)	Up to 2,000 Lbs.	Over 10,000 Lbs.	2" (51)	3" (76)	3 3/8" (86)	2 15/16" (75)
6" (152)	11/16" (17)	1 1/2" (38)	9 in ² (5800 ²)	Up to 2,000 Lbs.	--	3" (76)	3" (76)	3 3/8" (86)	3 3/4" (95)
						4" (102)	3" (76)	3 3/8" (86)	3 3/4" (95)

Job Name: _____
 Section No: _____
 Schedule No: _____

Page No: _____
 Contract: _____
 Purchase Order No: _____