

Location: \_\_\_\_\_

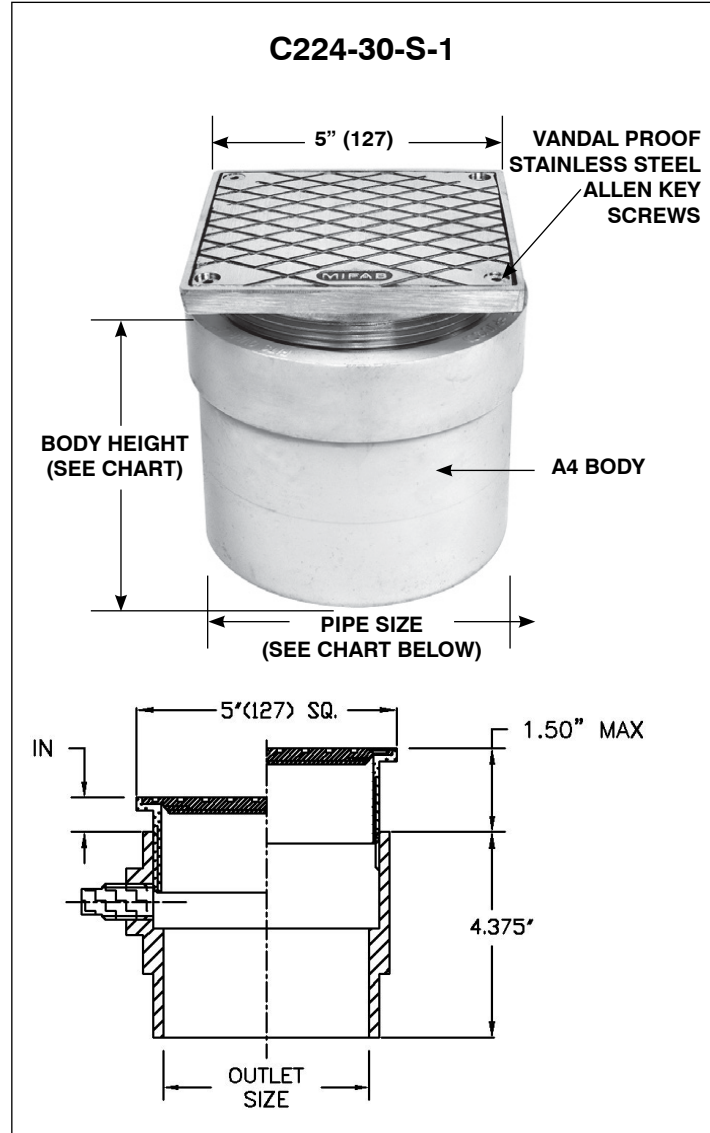
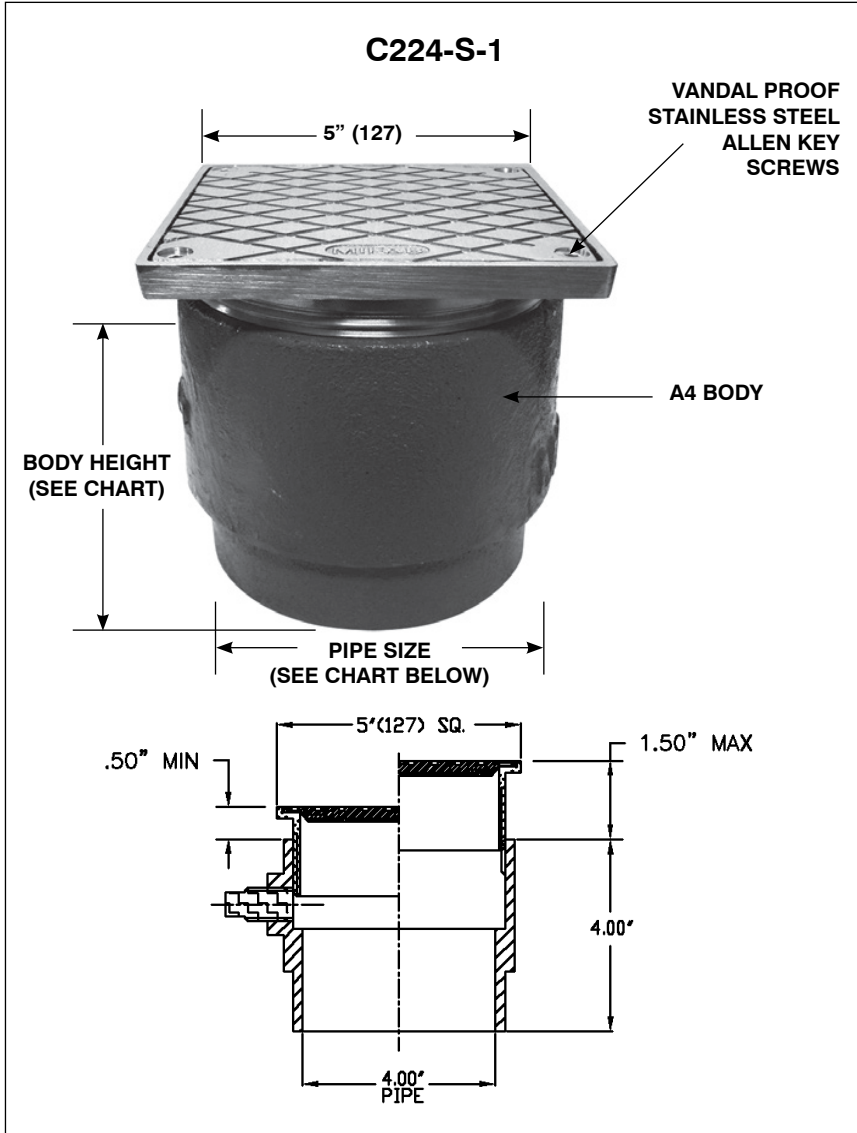


# C220-S

## 5" SQUARE ADJUSTABLE FLOOR CLEANOUT

**Specification:** MIFAB C220-S Series square adjustable floor cleanout with lacquered cast iron body, secondary closure plug and scoriated combined gasketed cover and plug top assembly (specify material type) with stainless steel vandal proof allen key screws.

**Function:** Used in finished floors to provide emergency access to the plumbing lines for removal of blockages. Replacement of the surface level cover/plug with the neoprene gasket glued to the underside provides visual evidence that the cleanout has been properly resealed to prevent harmful sewer gases from entering the building.



TOP ASSEMBLY DIAMETER	TOP ASSEMBLY ADJUSTMENT		ANSI/ASME RATING	PIPE SIZE	BODY HEIGHT		
			LOAD RATING		NO HUB (STANDARD)	PUSH ON (P)	PVC/ABS (-30)/(-31)
	N.B. (-1)						
5" x 5" (127 x 127)	1/2" (13)	1 1/4" (32)	UP TO 4,999 LBS.	2" (51)	4" (102)	4 3/8" (111)	4 3/8" (111)
				3" (76)	4" (102)	4 3/8" (111)	4 3/8" (111)
				4" (102)	4" (102)	4 3/8" (111)	4 3/8" (111)

Job Name: \_\_\_\_\_ Page No: \_\_\_\_\_  
 Section No: \_\_\_\_\_ Contract: \_\_\_\_\_  
 Schedule No: \_\_\_\_\_ Purchase Order No: \_\_\_\_\_