

Location: _____

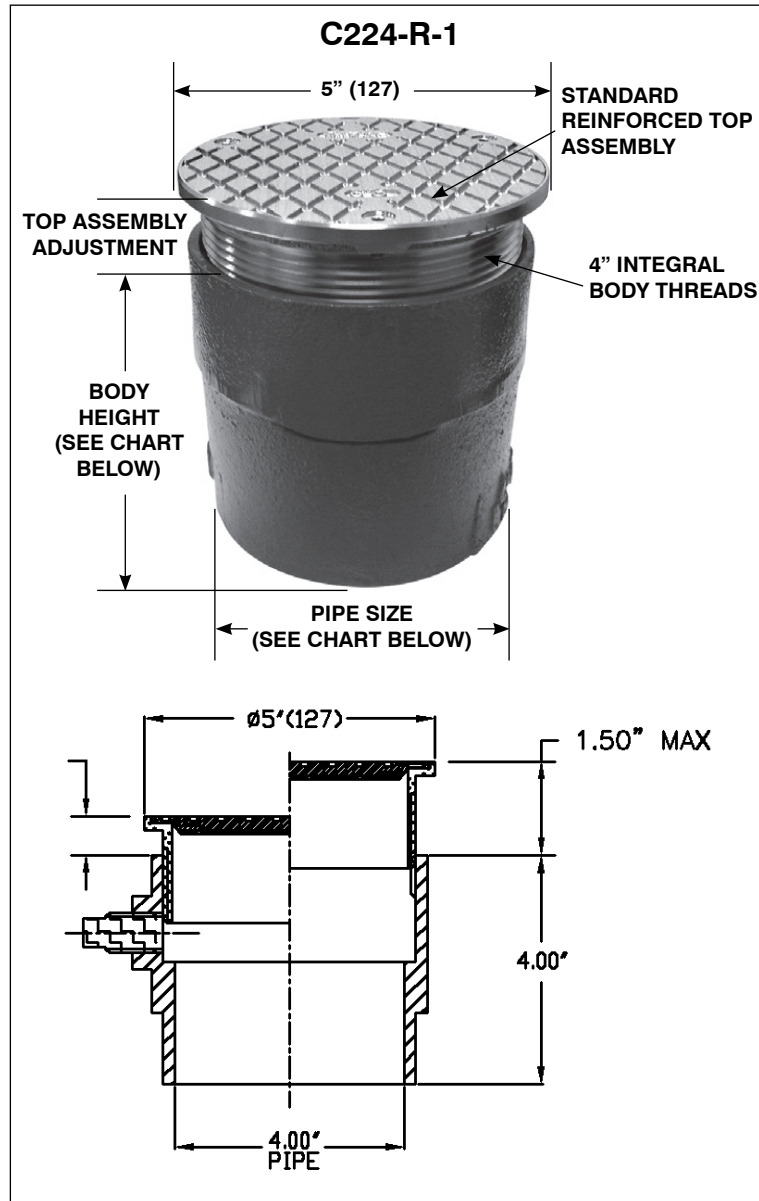
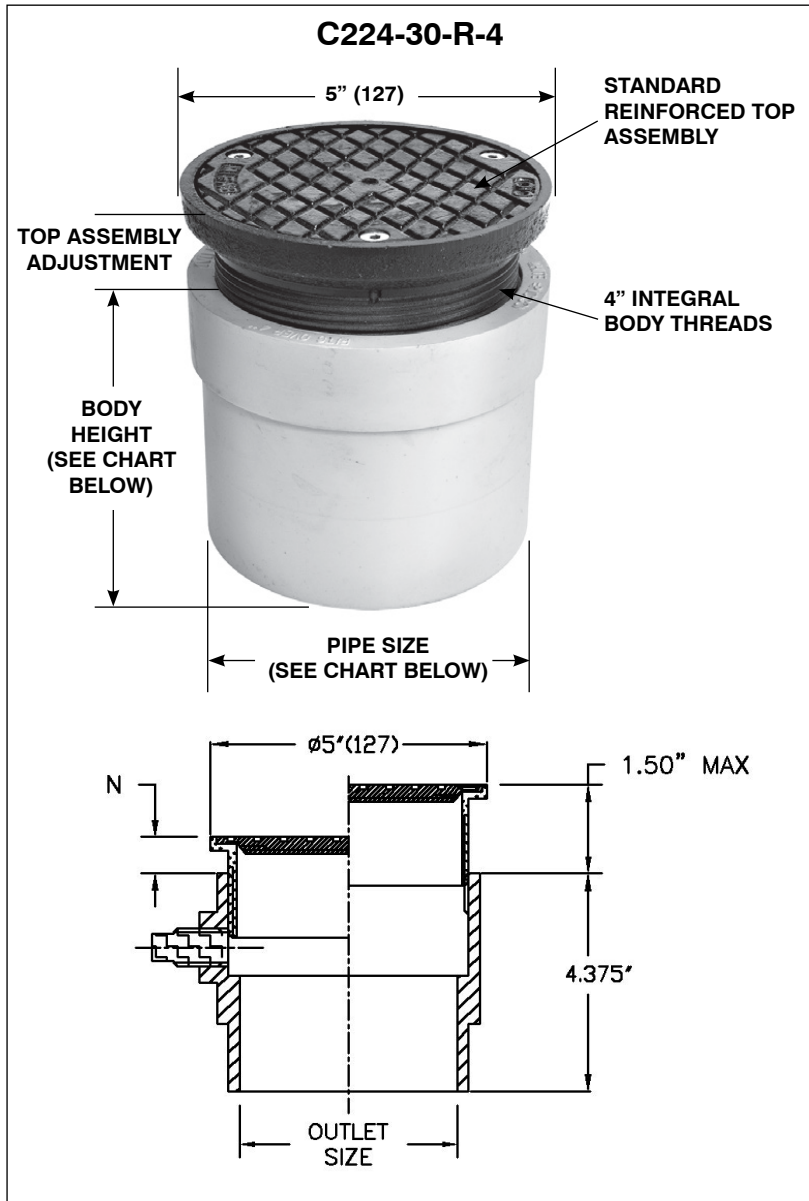


C220-R

5" ROUND ADJUSTABLE FLOOR CLEANOUT

Specification: MIFAB C220-R Series adjustable floor cleanout with lacquered cast iron body, secondary closure plug and scoriated combined gasketed cover and plug top assembly (specify material type) with stainless steel vandal proof allen key screws.

Function: Used in finished floors to provide emergency access to the plumbing lines for removal of blockages.



TOP ASSEMBLY DIAMETER	TOP ASSEMBLY ADJUSTMENT		FREE AREA	ANSI/ASME RATING		PIPE SIZE	NO HUB (STANDARD)	PUSH ON (P)	PVC/ABS (-30)/(-31)
	MIN	MAX		LOAD RATING					
				N.B. (-1)	D.I. (-4)				
5" (127)	1/2" (13)	1 1/4" (32)	8 in ² (5200 ²)	Up to 2,000 Lbs.	Over 10,000 Lbs.	2" (51)	4" (102)	4 3/8" (111)	4 3/8" (111)
						3" (76)	4" (102)	4 3/8" (111)	4 3/8" (111)
						4" (102)	4" (102)	4 3/8" (111)	4 3/8" (111)

Job Name: _____ Page No: _____

Section No: _____ Contract: _____

Schedule No: _____ Purchase Order No: _____