

Location: _____

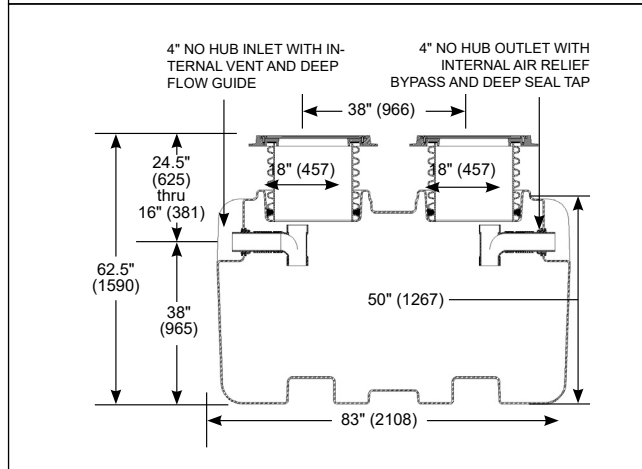
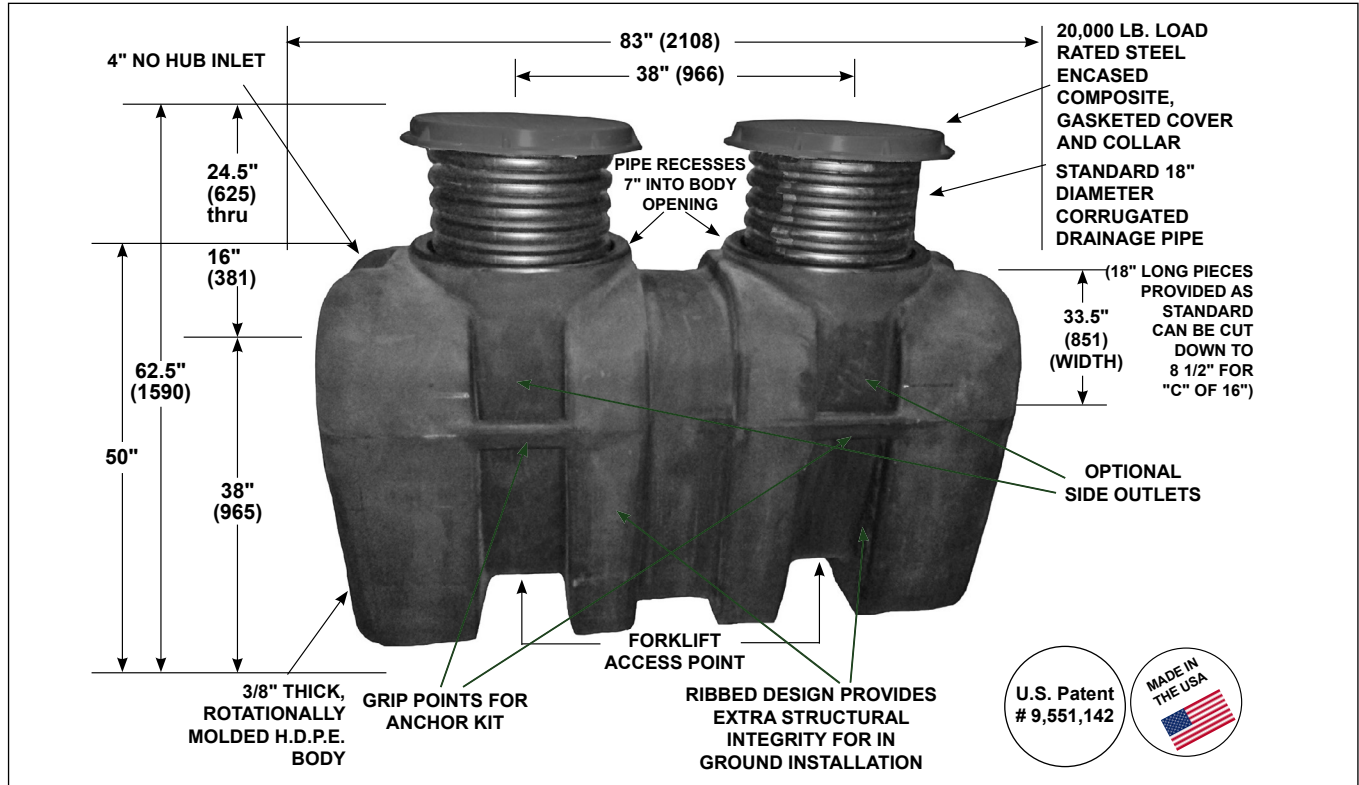


XL-MI-SOLID-L-PL

LARGE CAPACITY PLASTIC SOLIDS INTERCEPTOR

Specification: MIFAB® Model # XL-MI-SOLID-L-PL, solid interceptor with 300 gallon solids holding capacity. Interceptor has a limited lifetime warranty and is made in the USA out of seamless, rotationally molded High Density Polyethylene with 3/8" uniform wall thickness. Interceptor designed for above or below ground installation. Interceptor includes a dual adjustable lid system and multiple outlet options. Steel encased composite lid provides a water / gas tight seal and have a minimum of 20,000 lbs. load capacity. The lid is designed in accordance with the loading requirements of AASHTO H20.

Function: Used in maintenance facilities to receive wastewater that contains sand and sediment. Sediment and debris is collected. Regular maintenance is required to keep the interceptor functioning. Interceptor may be installed on the ground, semi recessed, or flush with the floor. Narrow width permits access through doorways and down stairwells. High Density Polyethylene construction ensures a lightweight installation process (two people can move and install it).



MODEL NO.	SOLIDS CAPACITY (GAL)	SHIPPING WEIGHT (Lbs.)
XL-MI-SOLID-L-PL	300	275

SUFFIX OPTIONAL VARIATIONS

- AK High water anchor kit (set of two)
- C Lid extension (specify "C" dimension required) (Max. of 72")
- CL Holddown brackets for lid (when installed above ground)
- DCL Direct Connect Lid (lid bolted to top of body)
- DI Ductile iron lid & collar
- FL-C Membrane clamp kit
- F6 6" No Hub Inlet / Outlet connection
- LHSL 4" no hub inlet on left hand side
- LHSO 4" no hub outlet on left hand side
- OP Internal flow control*
- RHSL 4" no hub inlet on right hand side
- RHSO 4" no hub outlet on right hand side
- SB Sediment bucket
- SP External Sample Port (Max. of 72")
- SP-OF External Sample Port (for new construction. Inlet higher than the outlet).
- T Female threaded connections

Note: for the -DCL option, the floor to top of lid dimension is 52 3/4"

CALIFORNIA PROPOSITION 65 WARNING. This product contains chemicals known to the State of California to cause cancer and birth defects or other reproductive harm.

Job Name: _____ Page No: _____

Section No: _____ Contractor: _____

Schedule No: _____ Purchase Order No: _____