

Location: \_\_\_\_\_

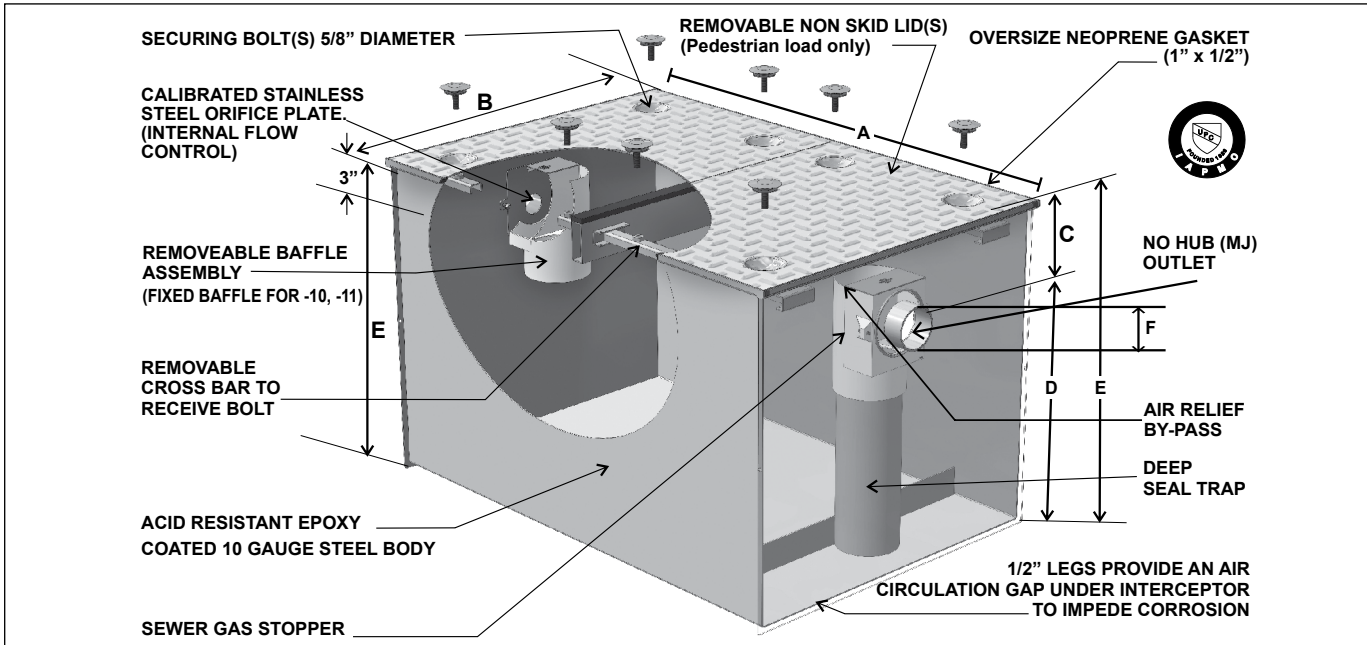


**XL-MI-G**

**LARGE CAPACITY HYDRO MECHANICAL GREASE INTERCEPTOR**

**Specification:** MIFAB® Series XL-MI-G \_\_\_\_ sanitary, acid resistant, epoxy coated inside and outside fabricated 10 gauge steel hydro mechanical grease interceptor with flow rating of \_\_\_\_ (indicate) and grease holding capacity of \_\_\_\_ (indicate). Unit shall include: removable (fixed for XL-MI-G-10/-11) baffle assembly and cross bar, deep seal trap covered by lid, sewer gas stopper, securing bolt(s), stainless steel calibrated orifice plate, internal air relief by-pass, and steel acid resistant, powder epoxy coated, non skid, rectangular gasketed lid(s).

**Function:** Used in large restaurants, kitchens, institutions, industrial facilities such as food processing and packaging plants and other types of food processing areas where fat, oil and grease (FOG) drains with the wastewater. Interceptor may be installed on the ground, semi recessed or flush with the floor. Standard acid resistant, powder epoxy coated lid ensures maximum protection from contaminants. Sewer gas stopper prevents foul odors from entering the kitchen area through the interceptor.



**Note:** The "C" dimension detailed above is from either the middle of the inlet or the outlet to the top the interceptor. The inlet and outlet dimensions are always the same.

MODEL NO.	US GPM	CAP. LBS.	LIQUID HOLDING CAPACITY (U.S.G.)	A IN	B IN	C IN	D IN	E IN	F IN	NO. OF LIDS	NO. OF BOLTS
XL-MI-G-0	75	150	108.05	42	28	6	26	32	4	2	8
XL-MI-G-1	100	200	192.73	42	37	8	22	30	4	2	8
XL-MI-G-2	125	250	226.91	50	38	8	24	32	4	3	12
XL-MI-G-3	150	300	264.61	56	39	8	24	32	4	3	12
XL-MI-G-4	200	400	395.64	70	44	10	34	44	4	6	24
XL-MI-G-5	250	500	501.00	75	46	10	38	48	4	6	24
XL-MI-G-6	300	600	579.87	77	49	12	40	52	4	6	24
XL-MI-G-7	350	700	612.18	80	51	12	40	52	6	6	24
XL-MI-G-8	400	800	805.09	84	56	14	44	58	6	8	32
XL-MI-G-9	500	1000	1172.34	92	61	14	54	68	6	8	32
XL-MI-G-10	600	1200	1807.79	102	74	14	62	76	8	9	36
XL-MI-G-11	750	1500	2580.71	108	76	14	66	80	8	9	36

**Note:** Reduce the "A" and "B" dimensions by 1.75" (44) for -0, and 2" (51) for all other models to determine the actual body length and width dimensions. The lid overhangs the body by these dimensions.

**SUFFIX OPTIONAL VARIATIONS**

- AL Aluminum lid(s)
- AP Anode pack
- BA Buy American Act compliant product
- C Extension "C" as required
- DI Dual inlets
- DP Dosing pump

**SUFFIX OPTIONAL VARIATIONS**

- EP Enzyme port
- specify Special size inlet and outlet
- FL Anchor flange
- FLC External vented, flow control fitting
- FLM Anchor flange and membrane clamp
- HD Heavy duty load rated lids

**SUFFIX OPTIONAL VARIATIONS**

- HLA High level alarm
- SB Sediment bucket
- SS Stainless steel interceptor (Type 304)
- T F.I.P. female threaded inlet and outlet
- TL Lid (s) to receive tile or terrazzo

CALIFORNIA PROPOSITION 65 WARNING. This product contains chemicals known to the State of California to cause cancer and birth defects or other reproductive harm.

Job Name: \_\_\_\_\_ Page No: \_\_\_\_\_  
 Section No: \_\_\_\_\_ Contractor: \_\_\_\_\_  
 Schedule No: \_\_\_\_\_ Purchase Order No: \_\_\_\_\_