

Location: _____



UA

UNIVERSAL ACCESS DOOR

Specification: MIFAB® Series UA is a multi-purpose access door. It is designed for flush installation into drywall, block or tile, walls and ceilings. The door features rounded safety corners, concealed hinge, flush with frame fit, a unique white finish, and a 3/8" turn back in the door panel for extra rigidity and safety.

Material: UA Series is 16 gage satin coat steel door and 16 gage satin coat steel frame. The UASS Stainless Steel Series is 16 gage #304 stainless steel door and frame. Aluminum doors are available as an option up to the 24" x 24" (610 x 610) size. The door and frame is 16 gage, Type 5052-32 aluminum.

Finish: Satin coat steel doors have a primed white finish. Stainless steel doors have a #4 brush satin finish.

Door: Flush to frame. Turned back around edges for extra rigidity.

Frame: The frame has pre-punched mounting holes for simple installation.

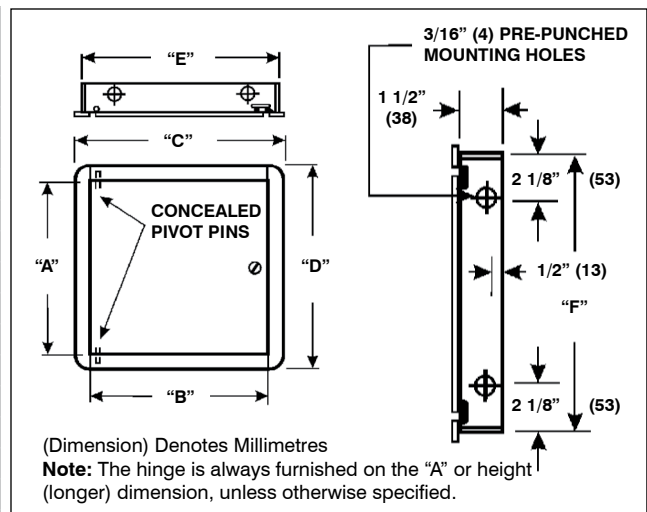
Hinge: Concealed pivot pins.

Latch: Standard – Flush mounted, screwdriver operated cam. Optional – Allen key, cylinder key, paddle latch, or vandal resistant latch. All of MIFAB's cylinder key locks are keyed alike.

Packaging: Individual pack.



"B" x "A"	WALL OPENING	SHIP WEIGHT (Lbs.)	LATCHES	MILD STEEL MODEL #	STAINLESS STEEL MODEL #
6" x 6"	6 3/8" x 6 3/8"	1.90	1	UA0606	UASS0606
8" x 8"	8 3/8" x 8 3/8"	2.80	1	UA0808	UASS0808
8" x 12"	8 3/8" x 12 3/8"	3.80	1	UA0812	UASS0812
10" x 10"	10 3/8" x 10 3/8"	3.80	1	UA1010	UASS1010
12" x 12"	12 3/8" x 12 3/8"	5.00	1	UA1212	UASS1212
12" x 16"	12 3/8" x 16 3/8"	6.40	1	UA1216	UASS1216
12" x 18"	12 3/8" x 18 3/8"	7.10	1	UA1218	UASS1218
12" x 24"	12 3/8" x 24 3/8"	9.30	2	UA1224	UASS1224
14" x 14"	14 3/8" x 14 3/8"	6.40	1	UA1414	UASS1414
14" x 20"	14 3/8" x 20 3/8"	9.00	2	UA1420	UASS1420
14" x 24"	14 3/8" x 24 3/8"	12.00	3	UA1424	UASS1424
15" x 15"	15 3/8" x 15 3/8"	7.10	1	UA1515	UASS1515
16" x 16"	16 3/8" x 16 3/8"	7.90	1	UA1616	UASS1616
16" x 20"	16 3/8" x 20 3/8"	9.70	2	UA1620	UASS1620
16" x 24"	16 3/8" x 24 3/8"	11.40	2	UA1624	UASS1624
18" x 18"	18 3/8" x 18 3/8"	9.80	3	UA1818	UASS1818
18" x 24"	18 3/8" x 24 3/8"	12.70	5	UA1824	UASS1824
18" x 36"	18 3/8" x 36 3/8"	18.50	5	UA1836	UASS1836
20" x 20"	20 3/8" x 20 3/8"	11.70	3	UA2020	UASS2020
20" x 24"	20 3/8" x 24 3/8"	13.80	3	UA2024	UASS2024
20" x 30"	20 3/8" x 30 3/8"	16.90	5	UA2030	UASS2030
22" x 22"	22 3/8" x 22 3/8"	13.70	3	UA2222	UASS2222
22" x 30"	22 3/8" x 30 3/8"	18.20	5	UA2230	UASS2230
24" x 24"	24 3/8" x 24 3/8"	15.90	3	UA2424	UASS2424
24" x 30"	24 3/8" x 30 3/8"	19.60	5	UA2430	UASS2430
24" x 36"	24 3/8" x 36 3/8"	23.20	6	UA2436	UASS2436
24" x 48"	24 3/8" x 48 3/8"	28.00	7	UA2448	UASS2448
30" x 30"	30 3/8" x 30 3/8"	23.50	7	UA3030	UASS3030
32" x 32"	32 3/8" x 32 3/8"	26.40	5	UA3232	UASS3232
36" x 36"	36 3/8" x 36 3/8"	32.70	8	UA3636	UASS3636
36" x 48"	36 3/8" x 48 3/8"	43.00	5	UA3648	UASS3648
48" x 48"	48 3/8" x 48 3/8"	46.00	5	UA4848	UASS4848



A-B Door Size
C-D Overall Dimensions - Door Size - Plus 2 1/8"
E-F Wall Opening - Door Size - Plus 3/8"

(Dimension) Denotes Millimetres
NOTE: The hinge is always furnished on the "A" or height (longer) dimension, unless otherwise specified.

SUFFIX	OPTIONAL VARIATIONS
-A	Allen key lock
-AL	Aluminum material
-BA	Buy American Act compliant product
-C	Cylinder key lock
-PA	Pennsylvania Steel Act compliant product
-PL	Paddle Lock
-VP	Vandal resistant
-WR	Water Resistant

CALIFORNIA PROPOSITION 65 WARNING. This product contains chemicals known to the State of California to cause cancer and birth defects or other reproductive harm.

Job Name: _____
 Section No: _____
 Schedule No: _____

Page No: _____
 Contractor: _____
 Purchase Order No: _____