

Location: \_\_\_\_\_

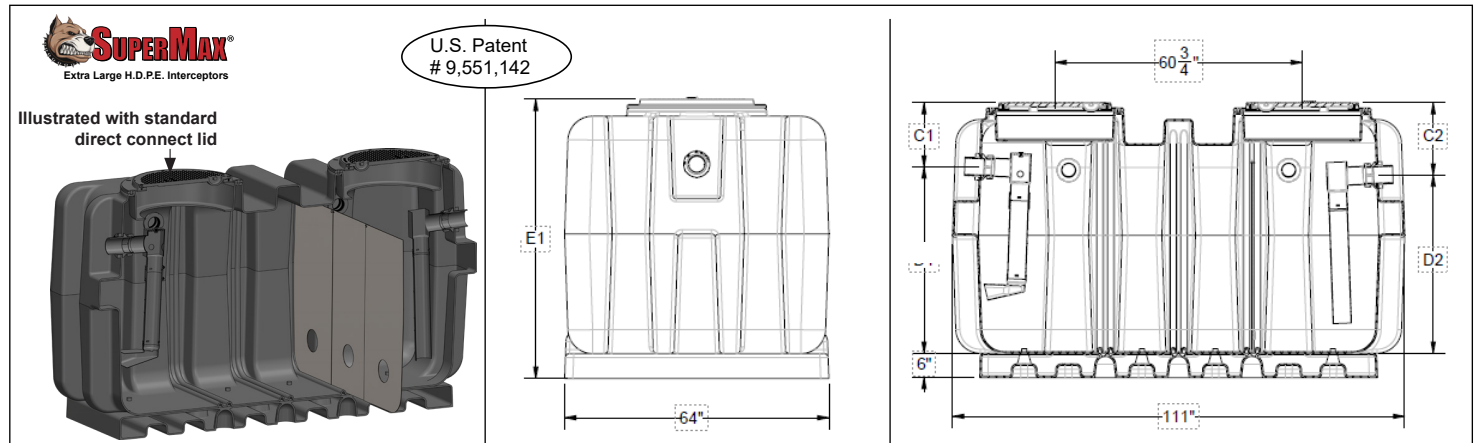


**SUPER-2000-O**

**SUPERMAX® GRAVITY OIL INTERCEPTOR - 2000 GALLONS LIQUID HOLDING CAPACITY**

**Specification:** MIFAB® SUPER-2000-O gravity oil interceptor with 2000 U.S. gallons of liquid holding capacity has a limited lifetime warranty and is made in the U.S.A. out of seamless, rotationally molded High Density Polyethylene with 3/8" uniform wall thickness. Interceptor is designed for below ground installation and includes extension pipe gasket for ADS 24N12 (pipe not included) for the adjustable lid system, sample port access, internal baffle, deep seal trap covered by lid, internal air relief by-pass, adjustable oil draw-off assembly (1 1/2" I.P.S.) on each side, double vent connections (3" I.P.S.) on each side, base for support and floor level installation and 4" no hub inlet and outlet connections. Pickable ductile iron lids provide a water / gas tight seal and have a minimum of 20,000 LB. load capacity – in accordance with the loading requirements of AASHTO H20. The high density polyethylene material is PE 3135 from Dow 9.39 with a density of 0.939 g/cm3.

**Function:** Oil interceptors are required anywhere oil and sand may be introduced to the public sewer system in applications such as: repair garages, oil change stations, car wash facilities, parking garages, parking lots, hydraulic elevator pits and facilities where oil and flammable liquid waste are produced as a result of manufacturing, storage, maintenance, repair or testing processes. The interceptor collects the oil before it is drained to an adjacent storage tank through an adjustable draw off system. Typically installed either on or into the floor. Regular maintenance is required to keep the interceptor functioning. All SuperMax gravity interceptors can withstand a temperature of up to and including 150 Fahrenheit.



Model	Liquid Holding Capacity (Gallons / Cu. Ft.)	Oil Storage Holding Capacity (Gallons)	Sand Capacity (Gallons)	Flow Rate (GPM)	A	Width B	C' Dim.	C² Dim.	D¹ Dim.	D² Dim.	E¹ Dim.	E² Dim.	F Connection Size	Shipping Weight (Lbs.)
SUPER-2000-O	2022 / 269	829	655	250	111" 2820mm	64" 1630mm	18.75" 476mm	37.25" 946mm	85.50" 2172mm	83.50" 2121mm	104.25" 2648mm	120" 3048mm	4" 102mm	1,350

SUFFIX	OPTIONAL VARIATIONS	PART NO.
-AK	Anchor kit for all SuperMax interceptors	SUPER-*-AK-SET (* = Specify Size)
-C	Lid Extension - up to 44" high - (2 pieces included)	SUPER-EXT-44
-C	Lid Extension - up to 72" high - (2 pieces included)	SUPER-EXT-72
-C	Lid Extension - up to 94" high - (2 pieces included)	SUPER-EXT-94
-COA	Coalescer pack	SUPER-*-COA
-FL-C	Membrane clamp kit - for all SuperMax interceptors (2 pcs. Included)	SUPER-FLM (2 pcs. Included)
-F6	6" no hub inlet and outlet (2 pcs. Included) (flow rate of 700 GPM with 6" connections)	MI-G-PL-PF6
-F8	8" no hub inlet and outlet (2 pcs. Included) (flow rate of 1200 GPM with 8" connections) (not available for side inlets / outlets)	MI-G-PL-PF8
-HLA	High level alarm and float switch (to be installed on site) (for Lil Max, Big Max, SuperMax)	XL-MI-PL-HLA
-HT	Holding Tank	
-LHSI	No hub inlet on left hand side (not available with sediment bucket) (for Lil Max, Big Max, SuperMax)	MI-G-PL-PF4
-LHSO	No hub outlet on left hand side (not available with sediment bucket) (for Lil Max, Big Max, SuperMax)	MI-G-PL-PF4
-POK	Remote pump out kit	SUPER-MAX-POK
-RHSI	No hub inlet on right hand side (not available with sediment bucket) (for Lil Max, Big Max, SuperMax)	MI-G-PL-PF4
-RHSO	No hub outlet on right hand side (not available with sediment bucket) (for Lil Max, Big Max, SuperMax)	MI-G-PL-PF4
-RPO	4" Remote pump outlet connections on top of interceptor - specify location and number required	SUPER-MAX-RPO
-SB	Sediment bucket - for all SuperMax interceptors	SUPER-*-PSB (* = Specify Size)
-SP	External sampling port - inline, high connections	SUPER-SP
-SP-L	External sampling port - inline, low connections	SUPER-SP-L
SAMPOR	External sampling port - offset, 8" opening	SAMPOR
-SST	Fire resistant fabricated stainless steel interceptor	Contact MIFAB®
-ST	Fire resistant fabricated 10 gauge powder epoxy coated steel interceptor	Contact MIFAB®
-T	Female threaded connections - 4" (2 pcs. Included)	MI-G-PL-PF4T
-V	No hub vent connection - 4" - (specify number required and location - side and / or top) (2", 3" available - Specify -V2, -V3 - same price)	MI-G-PL-PF4

**Note: The SUPER-2000-O is too tall to be shipped on a regular transport truck. Special transport requirements are needed. Contact MIFAB for shipping cost.**

**Note: The SUPER-2000-O can only be installed in the ground - not above ground.**

CALIFORNIA PROPOSITION 65 WARNING. This product contains chemicals known to the State of California to cause cancer and birth defects or other reproductive harm.

Job Name: \_\_\_\_\_

Page No: \_\_\_\_\_

Section No: \_\_\_\_\_

Contractor: \_\_\_\_\_

Schedule No: \_\_\_\_\_

Purchase Order No: \_\_\_\_\_