

Location: _____



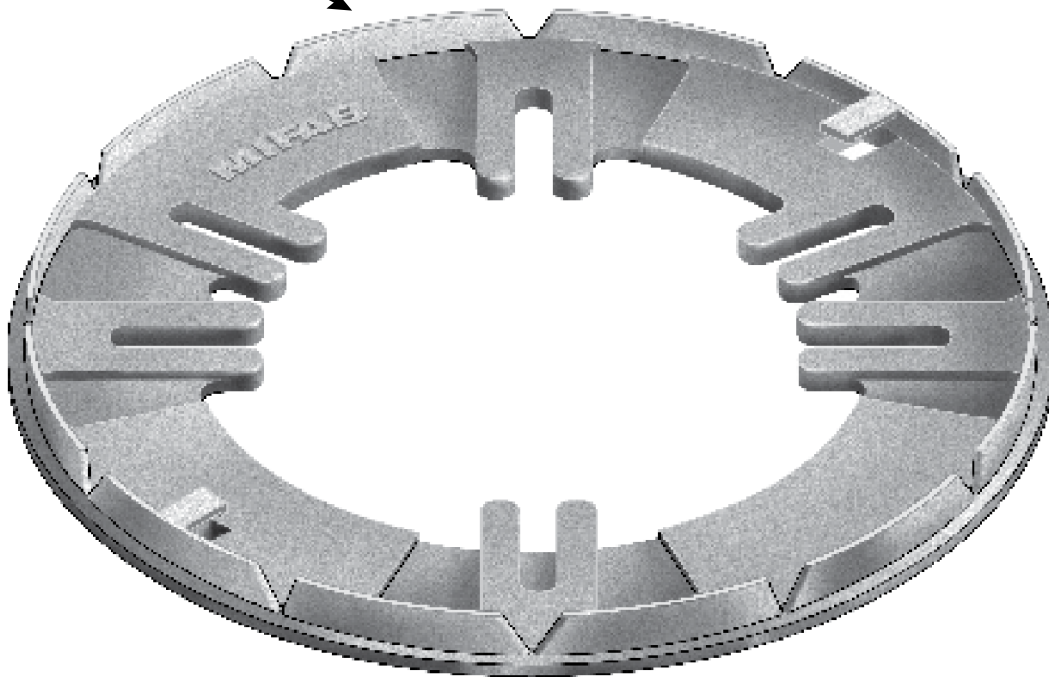
R1810

**UNIVERSAL MEMBRANE CLAMP
AND DOME RECEIVER**

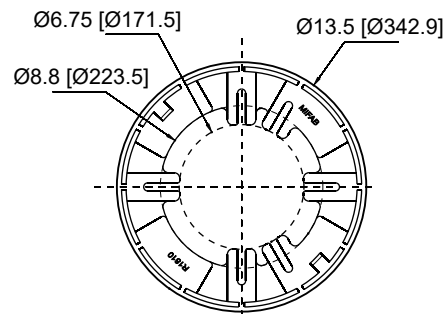
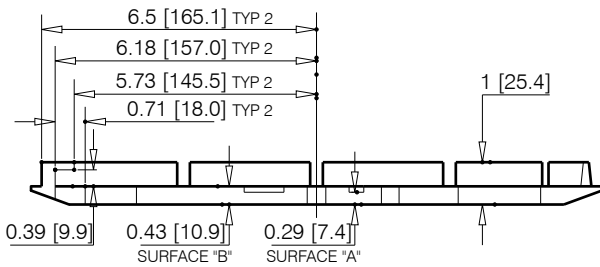
Specification: MIFAB® Series R1810 lacquered cast iron universal membrane clamp and dome receiver.

Function: Used for retrofit roof applications where the existing roof drain body is to remain in place and continue to be used. The R1810 works with all large sump MIFAB roof drain bodies. It will also bolt directly onto the roof drain bodies from the following manufacturers: Josam, J.R. Smith, Wade, Watts and Zurn. Use the HS-19 hardware set when bolting onto the JaSaWaZ bodies and the HS-18 hardware set when bolting onto the MIFAB bodies. The R1810 will accept MIFAB's A2-PD and A2-MDL-80 large dome strainers.

LACQUERED CAST IRON



Metric equivalents see chart below. (Dimension) Denotes Millimetres



SUFFIX	OPTIONAL VARIATIONS
-BA	Buy America Act compliant product
-G	Stainless steel ballast guard
-HS-2	Regular 3 bolt hardware

SUFFIX	OPTIONAL VARIATIONS
-M-80	Low profile silhouette aluminum dome
-PA	Pennsylvania Steel Act compliant product
-PD	Poly dome

CALIFORNIA PROPOSITION 65 WARNING. This product contains chemicals known to the State of California to cause cancer and birth defects or other reproductive harm.

Job Name: _____

Page No: _____

Section No: _____

Contractor: _____

Schedule No: _____

Purchase Order No: _____