

Location: \_\_\_\_\_

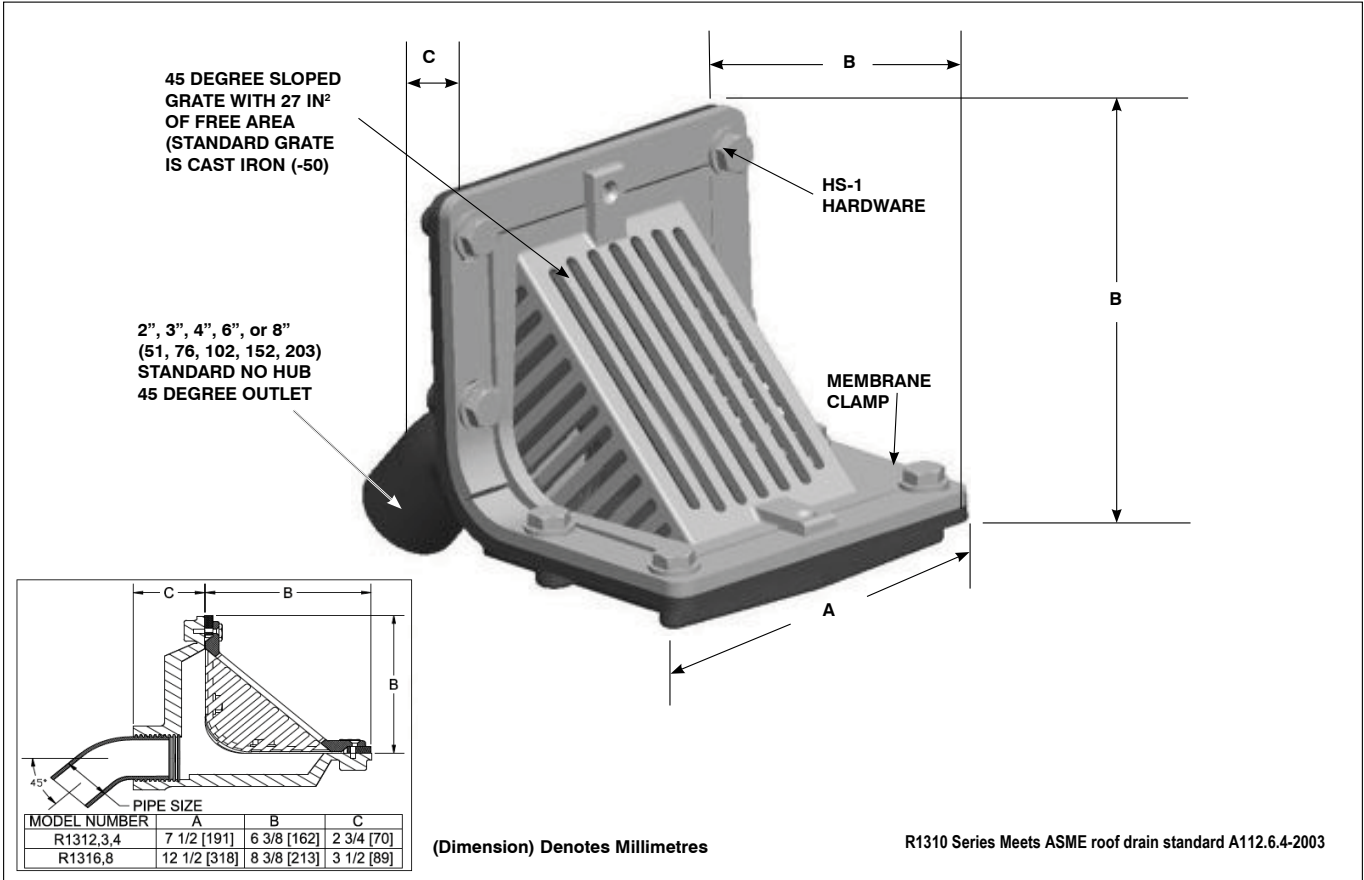


**R1310**

**SCUPPER DRAIN WITH ANGLE GRATE  
AND 45 DEGREE NO HUB OUTLET**

**Specification:** MIFAB® Series R1310 lacquered cast iron scupper drain with 45 degree no hub outlet, membrane clamp and sloped grate (specify cast iron (Suffix -50) or nickel bronze (Suffix -1)).

**Function:** To provide drainage from a roof surface where the roof and parapet meet. The angled grate prevents debris from blocking the drainage openings. Reverse outlet for 90 degree outlet connection (R1300).



SUFFIX	OPTIONAL VARIATIONS
-1	Nickel bronze frame and grate
-6	Vandal proof grate
-11	Acid resistant epoxy coating
-13	All Galvanized
-50	Cast iron frame and grate
-83	Stainless steel mesh screen over dome
Standard	No Hub outlet (2", 3", 4", 6" or 8")
-BA	Minimum 51% material cost made in the USA
-PA	Pennsylvania Steel Act compliant product

CALIFORNIA PROPOSITION 65 WARNING. This product contains chemicals known to the State of California to cause cancer and birth defects or other reproductive harm.

Job Name: \_\_\_\_\_ Page No: \_\_\_\_\_  
 Section No: \_\_\_\_\_ Contractor: \_\_\_\_\_  
 Schedule No: \_\_\_\_\_ Purchase Order No: \_\_\_\_\_