

Location: \_\_\_\_\_

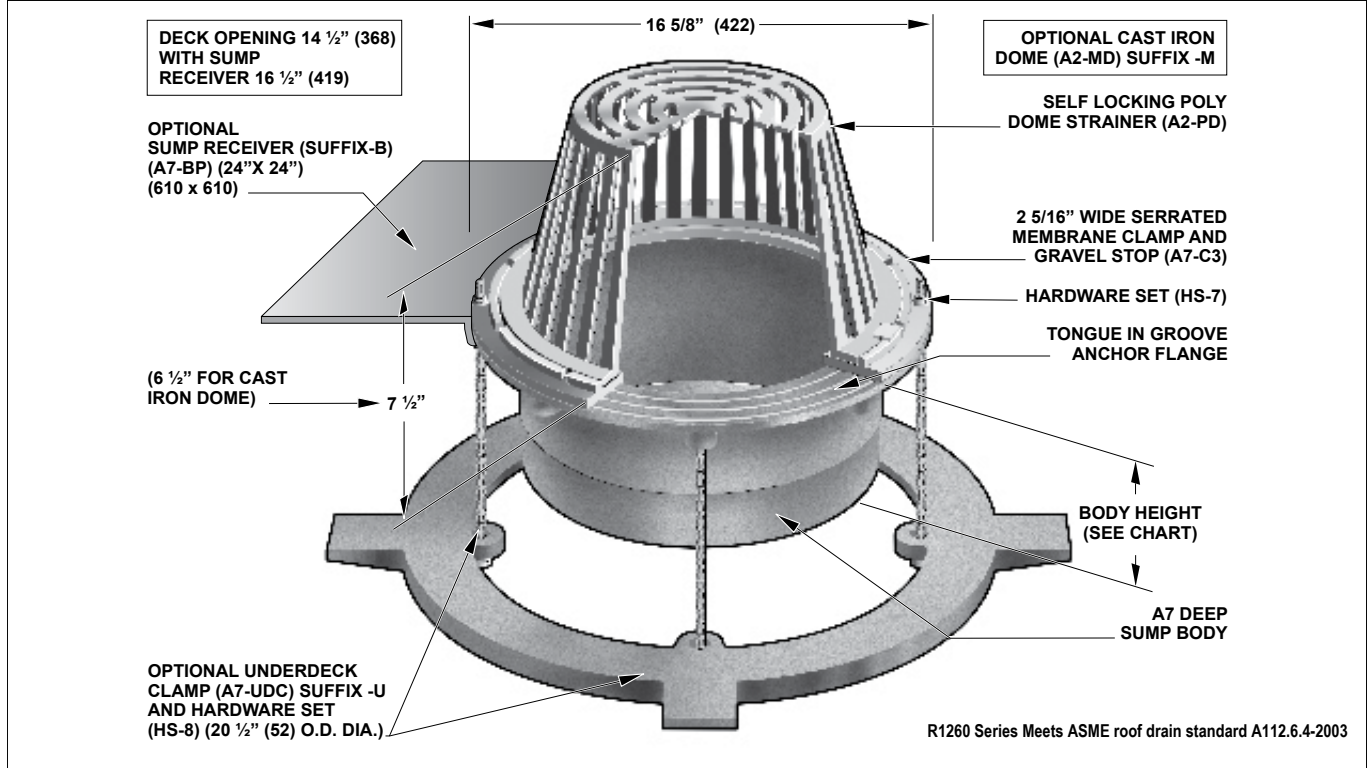


**R1260**

**EXTRA LARGE SUMP  
HIGH FLOW ROOF DRAIN**

**Specification:** MIFAB® Series R1250 lacquered cast iron extra deep sump high flow roof drain with 15" diameter anchor flange, large cast iron waterproofing membrane clamp ring with integral gravel stop, and standard self-locking polyethylene dome strainer with a free area of 125 square inches.

**Function:** Used in any type of flat roofs. Extra deep sump body and large free area dome provides for high flow drainage of rainwater and prevents debris from entering the drain line. Extra wide anchor flange and membrane clamp with tongue in groove design provides for secure grip of membrane and roof flashing materials.



PIPE SIZE	BODY HEIGHT	
	NO HUB (STANDARD)	INSIDE CAULK (X)
10" (254)	5 5/8" (143)	5 5/8" (143)
12" (305)	5 5/8" (143)	-

SUFFIX	OPTIONAL VARIATIONS
-6	Vandal proof dome (metal dome only)
-11	Acid resistant epoxy coating
-12	Galvanized metal dome
-12A	Galvanized body and membrane clamp
-12B	Galvanized metal dome and membrane clamp
-13	Galvanized body, membrane clamp and dome
-81	Rough bronze dome
-83	Stainless steel mesh screen over dome
(Standard)	No hub outlet
-B	Sump receiver
-BA	Minimum 51% material cost made in the USA
-E	Adjustable extension
-EG	Galvanized Adjustable extension
-G	Stainless steel ballast guard
-JC	S.S. ballast guard with secondary clamp
-M	Metal dome
-M-80	Low profile silhouette aluminum dome

SUFFIX	OPTIONAL VARIATIONS
P	Push on outlet
-PA	Pennsylvania Steel Act compliant product
-R	2" external water dam
-RG	RoofGuard non clogging cast iron dome
-U	Underdeck clamp
-U3	Underdeck clamp with cutaway side
-V	Fixed Static Extension 2", 3", 4"
-W	Adjustable water dam
-W-1	Water proofing flange
-W1	Water proofing flange (A8-W-1)
-W2	2" internal water dam
-W3	3" internal water dam
-W4	4" internal water dam
-W6	6" diameter adjustable water dam
X	Inside caulk outlet (2",3",4")
-Z	Extended wide elastomeric flange

CALIFORNIA PROPOSITION 65 WARNING. This product contains chemicals known to the State of California to cause cancer and birth defects or other reproductive harm.

Job Name: \_\_\_\_\_ Page No: \_\_\_\_\_  
 Section No: \_\_\_\_\_ Contractor: \_\_\_\_\_  
 Schedule No: \_\_\_\_\_ Purchase Order No: \_\_\_\_\_