

Location: \_\_\_\_\_



**R1220**

**LARGE SUMP DEXOTEX ROOF DRAIN WITH WIDE DECK FLANGE FOR A LIQUID MEMBRANE ROOF**

**Specification:** MIFAB® Series R1220 lacquered cast iron medium sump roof drain with 12" diameter anchor flange, large cast iron waterproofing membrane clamp ring with integral gravel stop, and standard self-locking cast iron dome strainer with a free area of 71.50 square inches.

**Function:** Used in any type of flat roofs where a medium sized drain is required. Wide anchor flange and membrane clamp with deep groove design provides for secure grip of membrane and roof flashing materials.

**71.50 IN<sup>2</sup> FREE AREA DOME**

**SELF LOCKING CAST IRON DOME (STANDARD) (A5-MD)**

**MEMBRANE CLAMP, DOME RECEIVER AND GRAVEL STOP (A5-C3)**

**(OPTIONAL) UNDERDECK CLAMP (A5-C3) SUFFIX (-U) AND HARDWARE SET (HS-3)**

**HARDWARE SET (HS-1)**

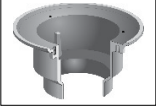
**A5 BODY HEIGHT (SEE CHART)**

**OUTLET SIZE (SEE CHART)**


*Metric equivalents see chart below. (Dimension) Denotes Millimetres*

R1220 Series  
Meets ANSI/ASME  
roof drain standard  
A112.6.4-2003


**PARTS:**




A5 BODY



A5-MD



A5-C3



HS-1

PIPE SIZE	BODY HEIGHT	
	NO HUB (STANDARD)	INSIDE CAULK (X)
<b>2" (51)</b>	6 1/2" (165)	6.575 (167)
<b>3" (76)</b>	6 1/2" (165)	6.575 (167)
<b>4" (102)</b>	6 1/2" (165)	6.575 (167)
<b>6" (152)</b>	6 1/2" (165)	6.575 (167)

**SUFFIX      OPTIONAL VARIATIONS**

- 6      Vandal proof dome (metal dome only)
- 11     Acid resistant epoxy coating
- 12     Galvanized metal dome
- 12A    Galvanized body and membrane clamp
- 13     Galvanized body, membrane clamp and dome
- 83     Stainless steel mesh screen over dome
- B      Sump receiver
- BA     Buy America Act compliant product
- C      Secondary clamp
- E      Adjustable extension
- EG     Galvanized Adjustable extension

**SUFFIX      OPTIONAL VARIATIONS**

- G      Stainless steel ballast guard
- HC     Adjustable ballast guard with sec. clamp
- JC     S.S. ballast guard with secondary clamp
- PA     Pennsylvania Steel Act compliant product
- R      2" external water dam
- U      Underdeck clamp
- U3     Underdeck clamp with cutaway side
- W-1    Water proofing flange
- X      Inside caulk outlet (2", 3", 4")
- XJ     Vertical expansion joint (see R1900)
- Z      Extended wide elastomeric flange (20" diameter x 1/4" thick)

CALIFORNIA PROPOSITION 65 WARNING. This product contains chemicals known to the State of California to cause cancer and birth defects or other reproductive harm.

Job Name: \_\_\_\_\_ Page No: \_\_\_\_\_

Section No: \_\_\_\_\_ Contractor: \_\_\_\_\_

Schedule No: \_\_\_\_\_ Purchase Order No: \_\_\_\_\_