

Location: _____

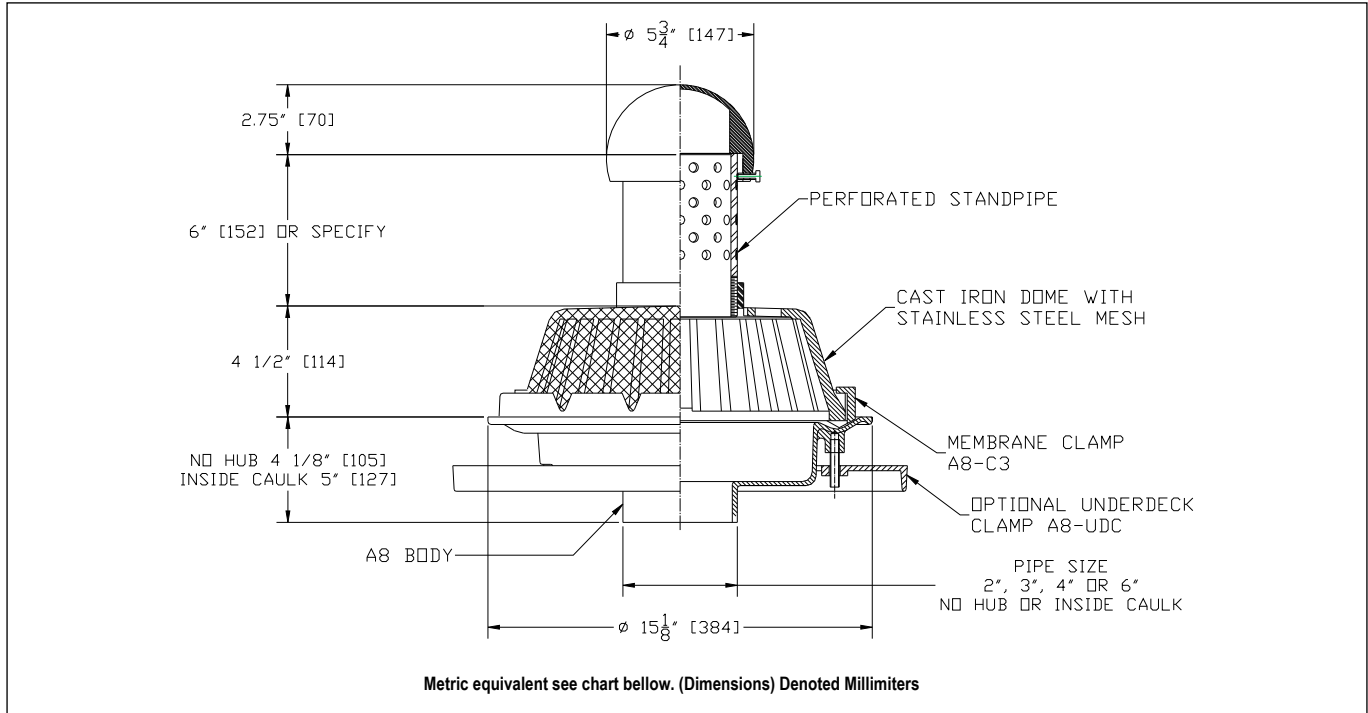


R1200-JD-W31P6L-WD

PLANTING AREA DRAIN

Specification: MIFAB® Series R1200-JD-W31P6L-WD lacquered cast iron large planting area drain with anchor flange, cast iron water proofing membrane clamp ring, cast iron dome with stainless steel mesh with perforated PVC standpipe with lacquered cast iron dome.

Function: Used to drain water that accumulates on green roof applications. The perforated stainless steel ballast guard prevents vines from entering the drain line.



PIPE SIZE	A8 BODY HEIGHT	
	NO HUB (STANDARD)	INSIDE CAULK (X)
2" (51)	4 1/8" (104)	5.05" (127)
3" (76)	4 1/8" (104)	5.05" (127)
4" (102)	4 1/8" (104)	5.05" (127)
5" (127)	4 1/8" (104)	5.05" (127)
6" (152)	4 1/8" (104)	5.05" (127)

Suffix	Description
-6	Vandal proof (Metal dome only) (H-1029)
-11	Acid resistant epoxy coated body, membrane clamp & dome
-12	Galvanized metal dome
-12A	Galvanized body and membrane clamp
-12B	Galvanized metal dome and membrane clamp
-13	Galvanized metal dome and membrane clamp
-28	Galvanized body, membrane clamp and dome
-48	Custom perforated PVC standpipe height (per 1" over the standard 6" height)
-B	Stainless steel body (Type 304)
-BA	Sump receiver (A8-BP)
-C	Secondary clamp (A8-UDC)

-E	Adjustable extension
-EG	Galvanized Adjustable extension
-PA	Pennsylvania Steel Act compliant product
-U	Underdeck clamp (A8-UDC)
-V	Fixed extension, (2",3",4") (A8-V2, A8-V3, A8-V4)
-VG	Galvanized fixed extension, (2",3",4")
-W-1	Water proofing flange (A8-W-1)
-W2	2" internal water dam (2" high x 4" diameter) (A8-C3-W and W-31)
-W3	3" internal water dam (3" high x 4" diameter) (A8-C3-W and W-31)
X	Inside caulk outlet, (2", 3", 4", 5" or 6")
-Z	Extended wide flange on body (20"Dia. x 1/4 thick)

CALIFORNIA PROPOSITION 65 WARNING. This product contains chemicals known to the State of California to cause cancer and birth defects or other reproductive harm.

Job Name: _____ Page No: _____
 Section No: _____ Contractor: _____
 Schedule No: _____ Purchase Order No: _____