

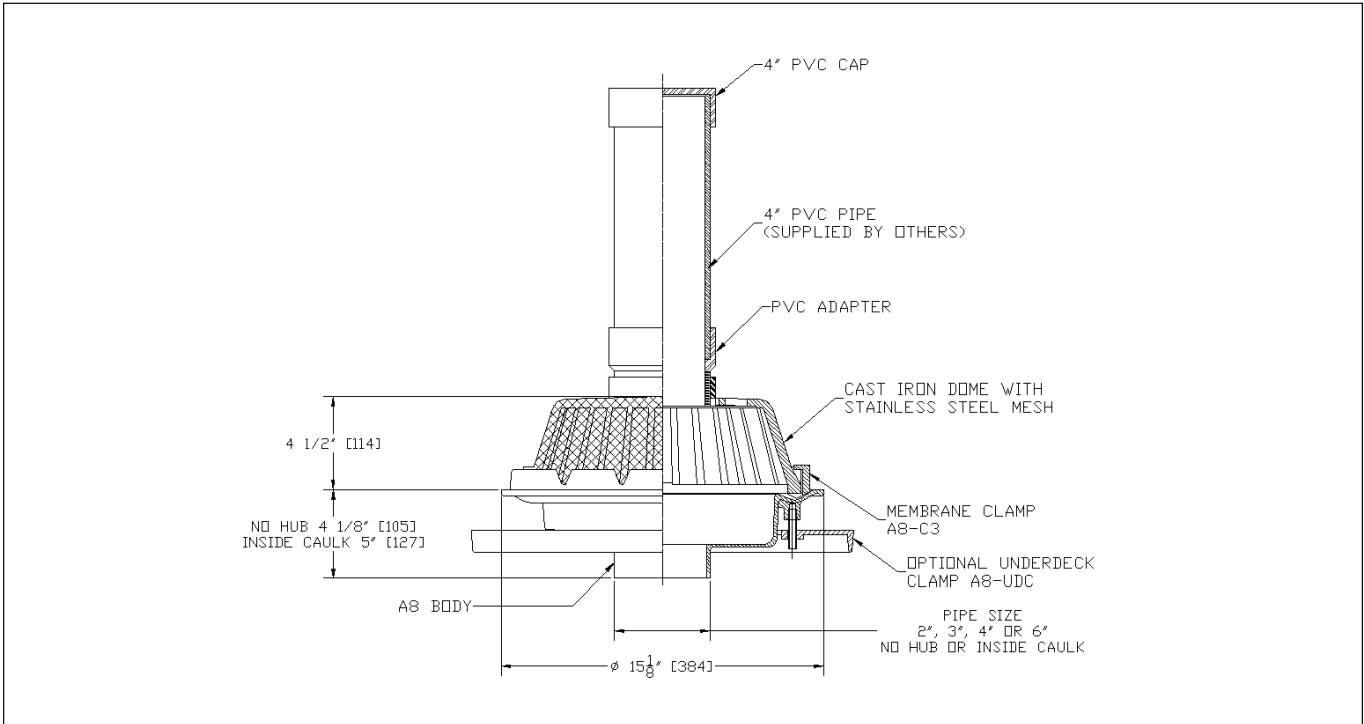
Location: _____



R1200-JD-W30

LARGE GREEN ROOF DRAIN WITH STAINLESS STEEL MESH COVERED CAST IRON DOME AND TOP PVC CAP

Specification: MIFAB® Series R1200-JD-W30 large green roof drain with 15" diameter, lacquered cast iron A8 body with combination membrane clamp and gravel guard with low silhouette cast iron, stainless steel mesh covered dome and top PVC cap.



PIPE SIZE	A8 BODY HEIGHT	
	NO HUB (STANDARD)	INSIDE CAULK (X)
2" (51)	4 1/8" (104)	5.05" (127)
3" (76)	4 1/8" (104)	5.05" (127)
4" (102)	4 1/8" (104)	5.05" (127)
5" (127)	4 1/8" (104)	5.05" (127)
6" (152)	4 1/8" (104)	5.05" (127)

MODEL NUMBER	PIPE SIZE
R1202,3,4-JD-W30	2", 3", 4"
R1205,6-JD-W30	5", 6"
R1208-JD-W30	8"

Suffix	Description
-6	Vandal proof (Metal dome only) (H-1029)
-11	Acid resistant epoxy coated body, membrane clamp & dome
-12	Galvanized metal dome
-12A	Galvanized body and membrane clamp
-12B	Galvanized metal dome and membrane clamp
-13	Galvanized metal dome and membrane clamp
-28	Galvanized body, membrane clamp and dome
-B	Stainless steel body (Type 304)
-BA	Sump receiver (A8-BP)

-C	Secondary clamp (A8-UDC)
-E	Adjustable extension
-EG	Galvanized Adjustable extension
-G	Ballast guard (A8-BG)
-PA	Pennsylvania Steel Act compliant product
-U	Underdeck clamp (A8-UDC)
-V	Fixed extension, (2", 3", 4") (A8-V2, A8-V3, A8-V4)
-VG	Galvanized fixed extension, (2", 3", 4")
-W-1	Water proofing flange (A8-W-1)
X	Inside caulk outlet, (2", 3", 4", 5" or 6")
-Z	Extended wide flange on body (20" Dia. x 1/4 thick)

CALIFORNIA PROPOSITION 65 WARNING. This product contains chemicals known to the State of California to cause cancer and birth defects or other reproductive harm.

Job Name: _____ Page No: _____
 Section No: _____ Contractor: _____
 Schedule No: _____ Purchase Order No: _____