

Location: \_\_\_\_\_

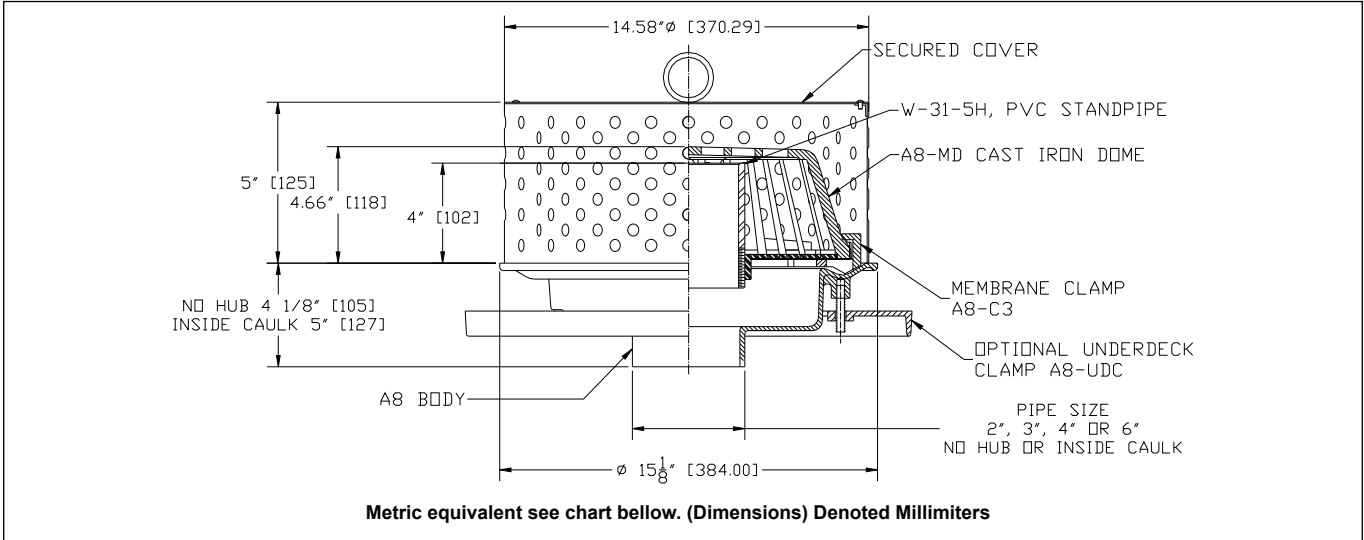


**R1200-JD-M-G5H-W31H4**

**PLANTING AREA DRAIN**

**Specification:** MIFAB® Series R1200-JD-M-G5H-W31H5 lacquered cast iron large planting area drain with anchor flange, cast iron water proofing membrane clamp ring, cast iron dome with PVC standpipe and stainless steel ballast guard with solid secured cover.

**Function:** Used to drain water that accumulates on green roof applications. The perforated stainless steel ballast guard prevents vines from entering the drain line.



PIPE SIZE	A8 BODY HEIGHT	
	NO HUB (STANDARD)	INSIDE CAULK (X)
2" (51)	4 1/8" (104)	5.05" (127)
3" (76)	4 1/8" (104)	5.05" (127)
4" (102)	4 1/8" (104)	5.05" (127)
5" (127)	4 1/8" (104)	5.05" (127)
6" (152)	4 1/8" (104)	5.05" (127)

Suffix	Description
-6	Acid resistant epoxy coated body, membrane clamp & dome
-11	Galvanized body and membrane clamp
-12	Galvanized body, membrane clamp and dome
-12A	Stainless steel body (Type 304)
-12B	3" no hub auxiliary inlet (on ballast guard)
-13	4" no hub auxiliary inlet (on ballast guard)
-28	Custom ballast guard height (per 1" over the standard 8")
-47	Sump receiver (A8-BP)
-48	Buy America Act compliant product
-83	Secondary clamp (A8-C3)
-B	Adjustable extension
-BA	Buy America Act compliant product
-C	Galvanized adjustable extension
-E	Pennsylvania Steel Act compliant product
-EG	2" external water dam (A8-WD)
-PA	Pennsylvania Steel Act compliant product
-R	Fixed extension, (2",3",4") (A8-V2, A8-V3, A8-V4)
-U	Galvanized fixed extension, (2",3",4")
-V	Adjustable water dam (5" high x 4" diameter) (W-31)
-VG	Water proofing flange (A8-W-1)
-W-1	2" internal water dam (2" high x 4" diameter) (A8-C3-W and W-31)
-W2	3" internal water dam (3" high x 4" diameter) (A8-C3-W and W-31)
-W3	4" internal water dam (4" high x 4" diameter) (A8-C3-W and W-31)
X	Inside caulk outlet, (2", 3", 4", 5" or 6")
-Z	Extended wide flange on body (20"Dia. x 1/4 thick)

CALIFORNIA PROPOSITION 65 WARNING. This product contains chemicals known to the State of California to cause cancer and birth defects or other reproductive harm.

Job Name: \_\_\_\_\_ Page No: \_\_\_\_\_  
 Section No: \_\_\_\_\_ Contractor: \_\_\_\_\_  
 Schedule No: \_\_\_\_\_ Purchase Order No: \_\_\_\_\_