

Location: \_\_\_\_\_

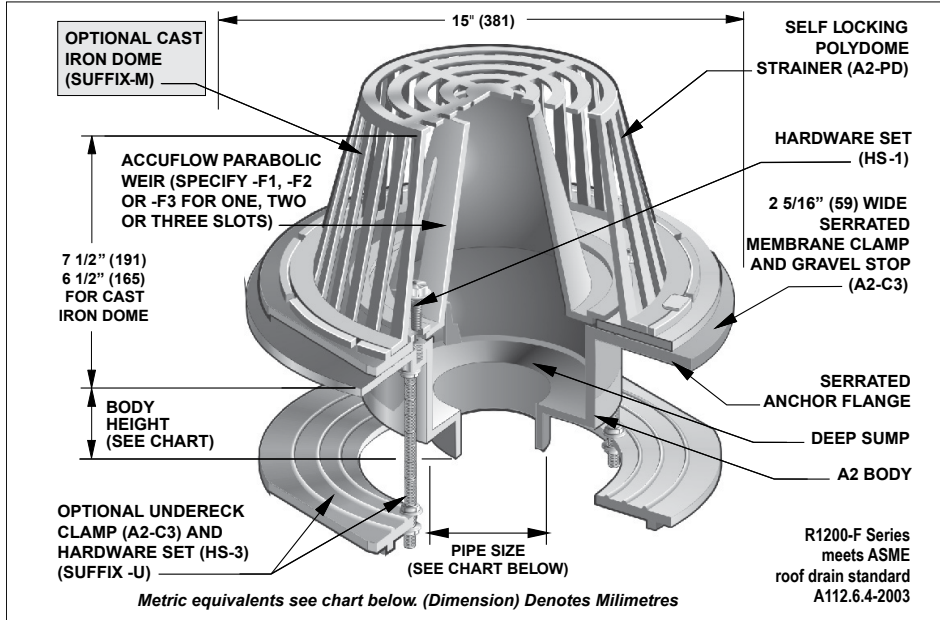


# R1200-F

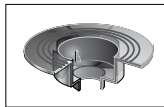




## LARGE SUMP FLOW CONTROLLED ROOF DRAIN WITH PARABOLIC WEIR

**Specification:** MIFAB® Series R1200-F lacquered cast iron deep sump roof drain with anchor flange, large cast iron water proofing membrane clamp ring with integral gravel stop, accuflow parabolic weir (specify -F1, -F2, -F3 for one, two or three slots), and standard self-locking polydome strainer with a free area of 125 square inches.

**Function:** Used to control the flow of rain water off of the roof. Slotted weirs reduce the volume of water to the leader. Specify -F1, -F2 or -F3 for one, two or three slots to attain the required limitation of volume. Flow performance per weir is 10 GPM per inch of water per slot.



**PARTS:**

-  A2 BODY
-  A2-PD
-  A2-F1, F2 or F3 WEIR
-  A2-C3
-  HS-1

OPTIONAL SUFFIX	GPM PER INCH OF HEAD	MAXIMUM FLOW GPM
F4.75	4.75	28.50
F6.25	6.25	37.50
F7.75	7.75	46.50
F9.25	9.25	55.50

Note: Deck opening - 10" (254) with sump receiver - 15 3/4" (400)

PIPE SIZE	BODY HEIGHT				
	NO HUB (STANDARD)	PUSH ON (P)	THREADED (T)	INSIDE CAULK (X)	PVC (-30) / ABS (-31)
2" (51)	5 3/4" (146)	5 1/2" (140)	6 1/2" (165)	6 1/2" (165)	6 3/4" (171)
3" (76)	5 3/4" (146)	5 1/2" (140)	6 5/8" (168)	6 1/2" (165)	7 1/2" (191)
4" (102)	5 3/4" (146)	5 1/2" (140)	5 1/2" (140)	6 1/2" (165)	7 5/8" (194)
5" (127)	5 3/4" (146)	5 1/2" (140)	6 5/8" (168)	6 3/4" (171)	-
6" (152)	7 1/4" (184)	5 5/8" (143)	5 5/8" (143)	6 1/2" (165)	-
8" (203)	5 7/8" (149)	N/A	N/A	(A7-8X body)	-

SUFFIX	OPTIONAL VARIATIONS	SUFFIX	OPTIONAL VARIATIONS
-6	Vandal proof dome (metal dome only)	-E	Adjustable extension
-11	Acid resistant epoxy coating	-EG	Galvanized Adjustable extension
-12	Galvanized metal dome	-G	Stainless steel ballast guard
-12A	Galvanized body and membrane clamp	-HC	Adj. ballast guard with secondary clamp
-12B	Galvanized metal dome and membrane clamp	-JC	S.S. ballast guard with secondary clamp
-13	Galvanized body, membrane clamp and dome	-M	Metal dome
-28	Stainless steel body (Type 304) (2", 3", 4")	P	Push on outlet
-30	PVC socket connection body	T	Threaded outlet (2", 3", 4")
-31	ABS socket connection body	-U	Underdeck clamp
-81	Rough bronze dome	-U3	Underdeck clamp with cutaway side
-83	Stainless steel mesh screen over dome	-V	Fixed Static Extension 2", 3", 4"
-90	Threaded side outlet (2", 3", 4")	-VG	Galvanized fixed extension (2", 3", 4")
-90NH	No Hub side outlet (cast iron only) (2", 3", 4")	-W-1	Water proofing flange
-B	Sump receiver	X	Inside caulk outlet (2", 3", 4")
-C	Secondary clamp	-XJ	Vertical expansion joint (see R1900)
		-Z	Extended wide elastomeric flange

CALIFORNIA PROPOSITION 65 WARNING. This product contains chemicals known to the State of California to cause cancer and birth defects or other reproductive harm.

Job Name: \_\_\_\_\_ Page No: \_\_\_\_\_  
 Section No: \_\_\_\_\_ Contractor: \_\_\_\_\_  
 Schedule No: \_\_\_\_\_ Purchase Order No: \_\_\_\_\_