

Location: \_\_\_\_\_

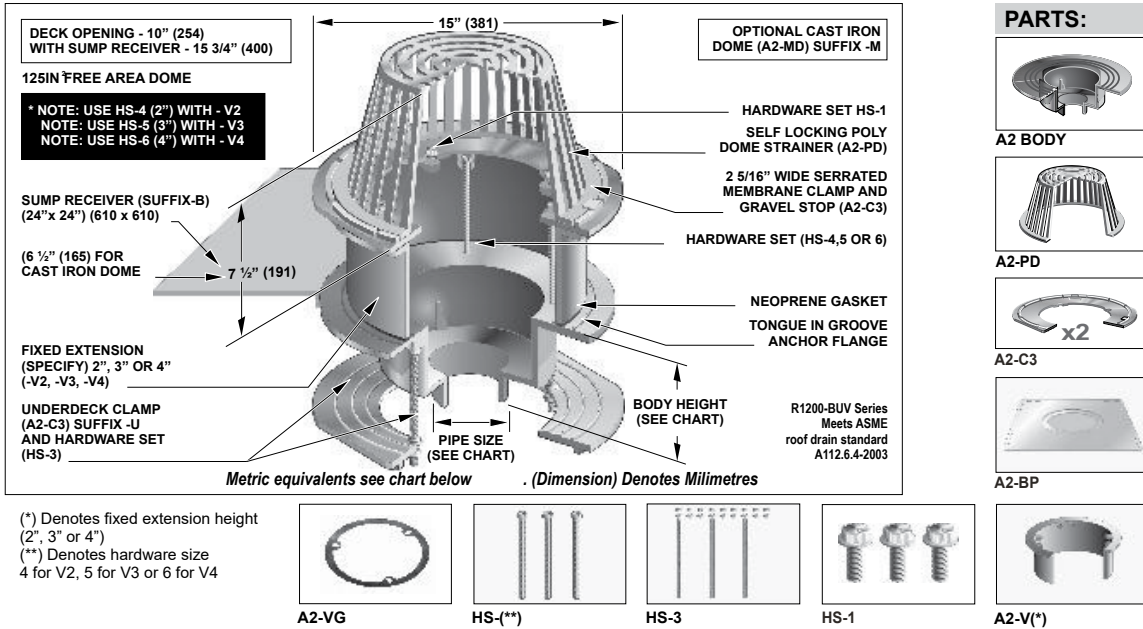


**R1200-BUV**

**LARGE SUMP ROOF DRAIN WITH 2" THROUGH 4" FIXED EXTENSION, SUMP RECEIVER AND DECK CLAMP**

**Specification:** MIFAB® Series R1200-BUV lacquered cast iron deep sump roof drain with 15" diameter anchor flange, sump receiver, gasketed fixed extension (specify height-2", 3" or 4"- V2,-V3 or -V4), underdeck clamp, cast iron waterproofing membrane clamp ring with integral gravel stop, and standard self-locking polyethylene dome strainer with a free area of 125 square inches.

**Function:** Used in any type of flat roofs. Large free area dome provides for efficient drainage of rain water and prevents debris from entering the drain line. Fixed extension available in various depths to match with insulation. Extra wide anchor flange and membrane clamp with tongue in groove design provides for secure grip of membrane and roof flashing materials.



PIPE SIZE	BODY HEIGHT				
	NO HUB (STANDARD)	PUSH ON (P)	THREADED (T)	INSIDE CAULK (X)	PVC (-30) / ABS (-31)
2" (51)	5 3/4" (146)	5 1/2" (140)	6 1/2" (165)	6 1/2" (165)	6 3/4" (171)
3" (76)	5 3/4" (146)	5 1/2" (140)	6 5/8" (168)	6 1/2" (165)	7 1/2" (191)
4" (102)	5 3/4" (146)	5 1/2" (140)	5 1/2" (140)	6 1/2" (165)	7 5/8" (194)
5" (127)	5 3/4" (146)	5 1/2" (140)	6 5/8" (168)	6 3/4" (171)	-
6" (152)	7 1/4" (184)	5 5/8" (143)	5 5/8" (143)	6 1/2" (165)	-
8" (203)	5 7/8" (149)	N/A	N/A	(A7-8X body)	-

- | SUFFIX        | OPTIONAL VARIATIONS                              |
|---------------|--|
| -6            | Vandal proof dome (metal dome only)              |
| -11           | Acid resistant epoxy coating                     |
| -12           | Galvanized metal dome                            |
| -12A          | Galvanized body and membrane clamp               |
| -12B          | Galvanized metal dome and membrane clamp         |
| -13           | Galvanized body, membrane clamp and dome         |
| -14           | Flat grate (replaces dome strainer)              |
| -28           | Stainless steel body (Type 304) (2", 3", 4")     |
| -30           | PVC socket connection body                       |
| -31           | ABS socket connection body                       |
| -81           | Rough bronze dome                                |
| -83           | Stainless steel mesh screen over dome            |
| -90           | Threaded side outlet (2",3",4")                  |
| -90NH         | No Hub side outlet (cast iron only) (2", 3", 4") |
| (Standard)    | No hub outlet                                    |
| -BA           | Buy America Act compliant product                |
| -C            | Secondary clamp                                  |
| -E            | Adjustable extension                             |
| -EG           | Galvanized Adjustable extension                  |
| -F1, -F2, -F3 | Accuflow (parabolic weir) specify                |

- | SUFFIX | OPTIONAL VARIATIONS                      |
|--------|--|
| -G     | Stainless steel ballast guard            |
| -JC    | S.S. ballast guard with secondary clamp  |
| -M     | Metal dome                               |
| -M-80  | Low profile silhouette aluminum dome     |
| P      | Push on outlet                           |
| -PA    | Pennsylvania Steel Act compliant product |
| -R     | 2" external water dam                    |
| T      | Threaded outlet (2",3",4")               |
| -U3    | Underdeck clamp with cutaway side        |
| -V     | Fixed Static Extension 2", 3", 4"        |
| -VG    | Galvanized fixed extension (2",3",4")    |
| -W     | Adjustable water dam (4" dia.)           |
| -W-1   | Water proofing flange                    |
| -W2    | 2" internal water dam                    |
| -W3    | 3" internal water dam                    |
| -W4    | 4" internal water dam                    |
| -W6    | 6" diameter adjustable water dam         |
| X      | Inside caulk outlet (2",3",4")           |
| -XJ    | Vertical expansion joint (see R1900)     |
| -Z     | Extended wide elastomeric flange         |

CALIFORNIA PROPOSITION 65 WARNING. This product contains chemicals known to the State of California to cause cancer and birth defects or other reproductive harm.

Job Name: \_\_\_\_\_ Page No: \_\_\_\_\_

Section No: \_\_\_\_\_ Contractor: \_\_\_\_\_

Schedule No: \_\_\_\_\_ Purchase Order No: \_\_\_\_\_