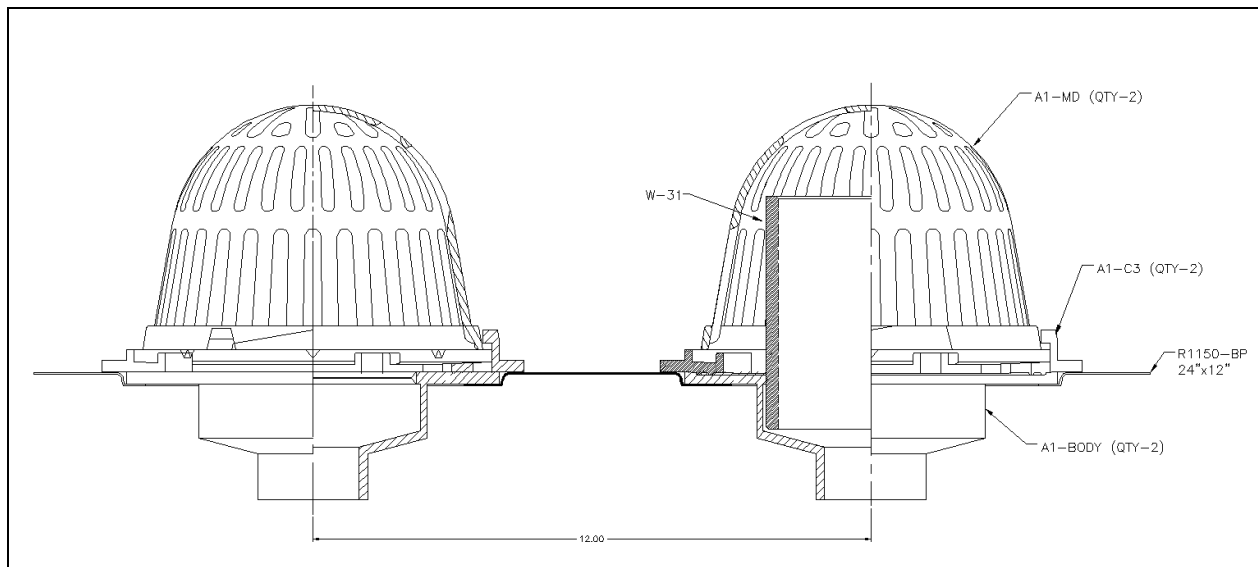


May 6, 2014

RE: R1150-SPEC ASSEMBLY



The R1150-SPEC Combination Roof Drain is to be installed as shown on the above image. The dual bearing pan (R1150-BP) is to be mounted to the decking or roof structure. The drain bodies (A1-BODY) are dropped into the recess holes in the bearing pan and then are connected to the drain system. The roof membrane is placed over the bearing pan and drain bodies. The membrane clamps (A1-C3) are mounted to the drain bodies to secure the membrane in place. The adjustable water dam (W-31) is installed into the overflow drain body. The drain domes (A1-MD) are installed onto the drains.

All local codes and guidelines should be followed.

The assembly of this unit is shipped with the bearing pan clamped in-between the body and membrane clamp. This is done to be sure that none of the components are misplaced.