

Location: _____

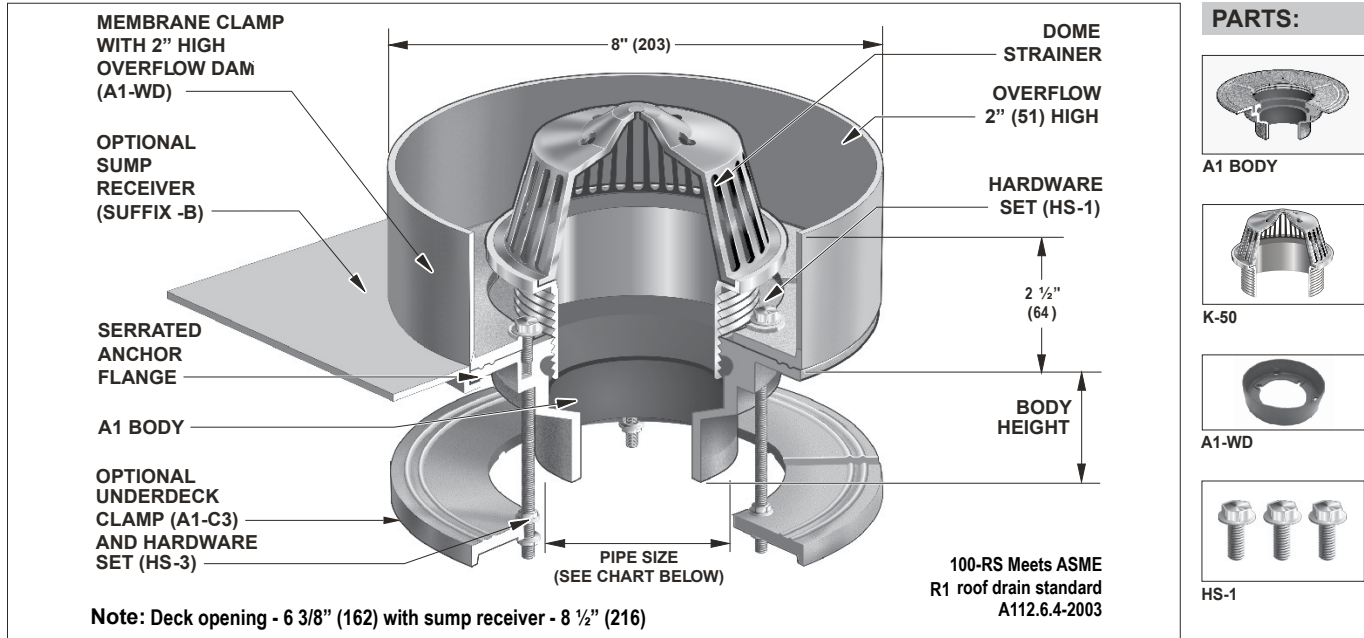


R1100-RS

ROOF DECK CONDENSATE RECEPTOR DRAIN

Specification: MIFAB® Series R1100-RS lacquered cast iron roof deck condensate receptor drain with anchor flange, cast iron waterproofing membrane clamp ring with integral gravel stop, overflow and cast iron dome strainer.

Function: Used in flat roofs and gutters to receive condensate and wastewater from air conditioners, cooling towers and other mechanical equipment. The 2" high external dam prevents storm water from entering the drain line and the dome strainer prevents debris from entering the drain line. The 8" diameter body is ideal for applications with limited space. Anchor flange and membrane clamp with tongue in groove design provides for secure grip of membrane and roof flashing materials.



PARTS:



PIPE SIZE	BODY HEIGHT				
	NO HUB (STANDARD)	PUSH ON (P)	THREADED (T)	INSIDE CAULK (X)	PVC (-30) / ABS (-31)
2" (51)	3" (76)	3 3/8" (86)	2 1/4" (57)	3 3/4" (95)	2 5/8" (67)
3" (76)	3" (76)	3 3/8" (86)	2 5/8" (67)	3 3/4" (95)	3 1/4" (83)
4" (102)	3" (76)	3 3/8" (86)	2 5/8" (67)	3 3/4" (95)	3 1/2" (89)
5" (127)	3" (76)	—	2 5/8" (67)	6 7/8" (175)	—
6" (152)	3 1/2" (89)	6 7/8" (175)	—	—	—

Suffix	Description
-1	Nickel Bronze dome strainer (Part #K1)
-3	Stainless steel dome strainer (Part #K3)
-6	Vandal proof dome
-11	Acid resistant epoxy coating
-12	Galvanized metal dome
-12A	Galvanized body and membrane clamp
-13	Galvanized body, membrane clamp and dome
-14	Flat grate (replaces dome strainer)
-15	Adjustable extension
-28	Stainless steel body (Type 304) (2", 3", 4")
-30	PVC socket connection body
-31	ABS socket connection body
-81	Rough bronze dome (A1-MD-81) (to poly dome)
-83	Stainless steel mesh screen over dome

-90	Threaded side outlet (2", 3", 4")
-90NH	No Hub side outlet (cast iron only) (2", 3", 4")
(Standard)	No hub outlet
-B	Sump receiver
-BA	Buy America Act compliant product
P	Push on outlet
-PA	Pennsylvania Steel Act compliant product
T	Threaded outlet (2", 3", 4")
-U	Underdeck clamp
-U3	Underdeck clamp with cutaway side
-W-1	Water proofing flange
X	Inside caulk outlet (2", 3", 4")
-XJ	Vertical expansion joint (see R1900)
X	Inside caulk outlet (2", 3", 4")
-XJ	Vertical expansion joint (see R1900)

CALIFORNIA PROPOSITION 65 WARNING. This product contains chemicals known to the State of California to cause cancer and birth defects or other reproductive harm.

Job Name: _____ Page No: _____
 Section No: _____ Contractor: _____
 Schedule No: _____ Purchase Order No: _____