

Location: _____

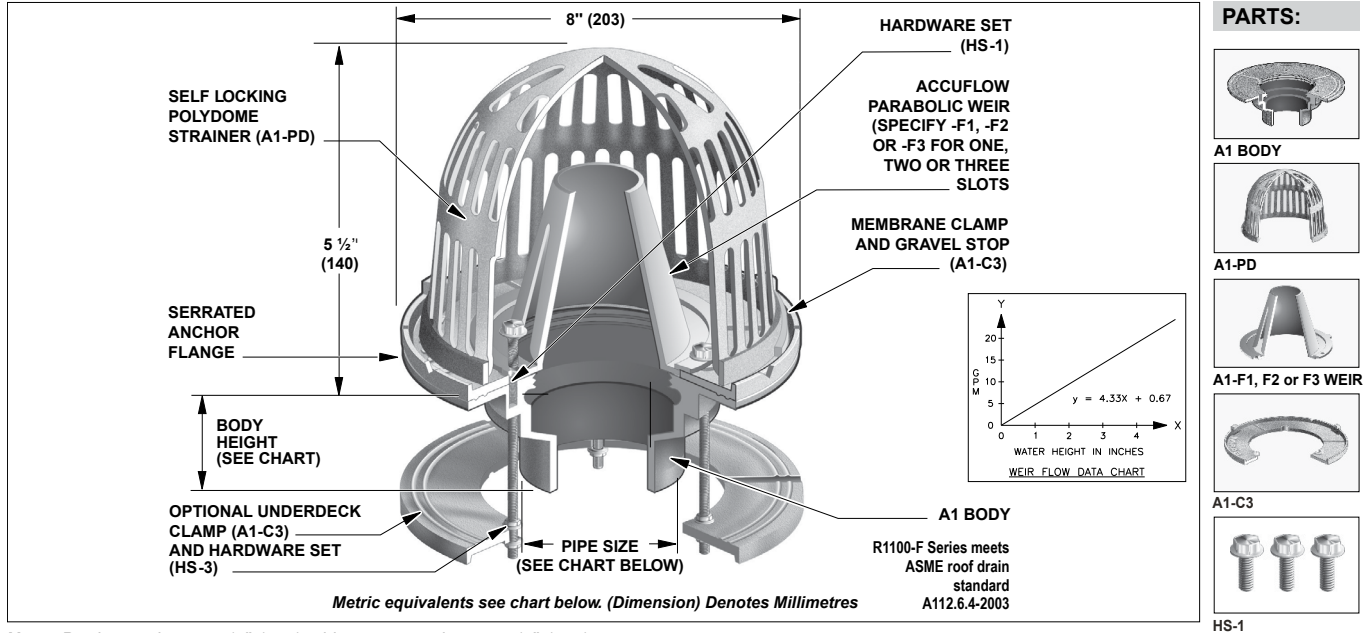


R1100-F

**FLOW CONTROLLED
ROOF DRAIN WITH PARABOLIC WEIR**

Specification: MIFAB® Series R1100-F lacquered cast iron roof drain with anchor flange, cast iron water proofing membrane clamp ring with integral gravel stop, accuflow parabolic weir (specify -F1, -F2, -F3 for one, two or three slots), and standard selflocking polydome strainer with a free area of 43 square inches.

Function: Used in any type of flat roofs and gutters to control the flow of rain water off of the roof. Slotted weirs reduce the volume of water to the leader. Specify F1, -F2, or -F3 for one, two or three slots to attain the required limitation of volume. 8" diameter body is ideal for applications with limited space. Dome provides for efficient drainage of rainwater and prevents debris from entering the drain line. Anchor flange and membrane clamp with tongue in groove design provides for secure grip of membrane and roof flashing materials. Flow performance per weir is 5 GPM per inch of water per slot.



Note: Deck opening - 6 3/8" (162) with sump receiver - 8 1/2" (216)

PIPE SIZE	BODY HEIGHT				
	NO HUB (STANDARD)	PUSH ON (P)	THREADED (T)	INSIDE CAULK (X)	PVC (-30) / ABS (-31)
2" (51)	3" (76)	3 3/8" (86)	2 1/4" (57)	3 3/4" (95)	2 5/8" (67)
3" (76)	3" (76)	3 3/8" (86)	2 5/8" (67)	3 3/4" (95)	3 1/4" (83)
4" (102)	3" (76)	3 3/8" (86)	2 5/8" (67)	3 3/4" (95)	3 1/2" (89)
5" (127)	3" (76)	—	2 5/8" (67)	6 7/8" (175)	—
6" (152)	3 1/2" (89)	6 7/8" (175)	—	—	—

Suffix	Description
-6	Vandal proof dome (metal dome only)
-11	Acid resistant epoxy coating
-12	Galvanized metal dome
-12A	Galvanized body and membrane clamp
-13	Galvanized body, membrane clamp and dome
-28	Stainless steel body (Type 304) (2", 3", 4")
-30	PVC socket connection body
-31	ABS socket connection body
-81	Rough bronze dome
-83	Stainless steel mesh screen over dome
-90	Threaded side outlet (2", 3", 4")
-90NH	No Hub side outlet (cast iron only) (2", 3", 4")
-B	Sump receiver
-BA	Buy America Act compliant product
-C	Secondary clamp

-E	Adjustable extension
-EG	Galvanized Adjustable extension
-G	Stainless steel ballast guard
-JC	S.S. ballast guard with secondary clamp
-M	Metal dome
P	Push on outlet
-PA	Pennsylvania Steel Act compliant product
(Standard)	No hub outlet
T	Threaded outlet (2", 3", 4")
-U	Underdeck clamp
-U3	Underdeck clamp with cutaway side
-W-1	Water proofing flange
X	Inside caulk outlet (2", 3", 4")
-XJ	Vertical expansion joint (see R1900)
-Z	Extended wide elastomeric flange

CALIFORNIA PROPOSITION 65 WARNING. This product contains chemicals known to the State of California to cause cancer and birth defects or other reproductive harm.

Job Name: _____ Page No: _____
 Section No: _____ Contractor: _____
 Schedule No: _____ Purchase Order No: _____