

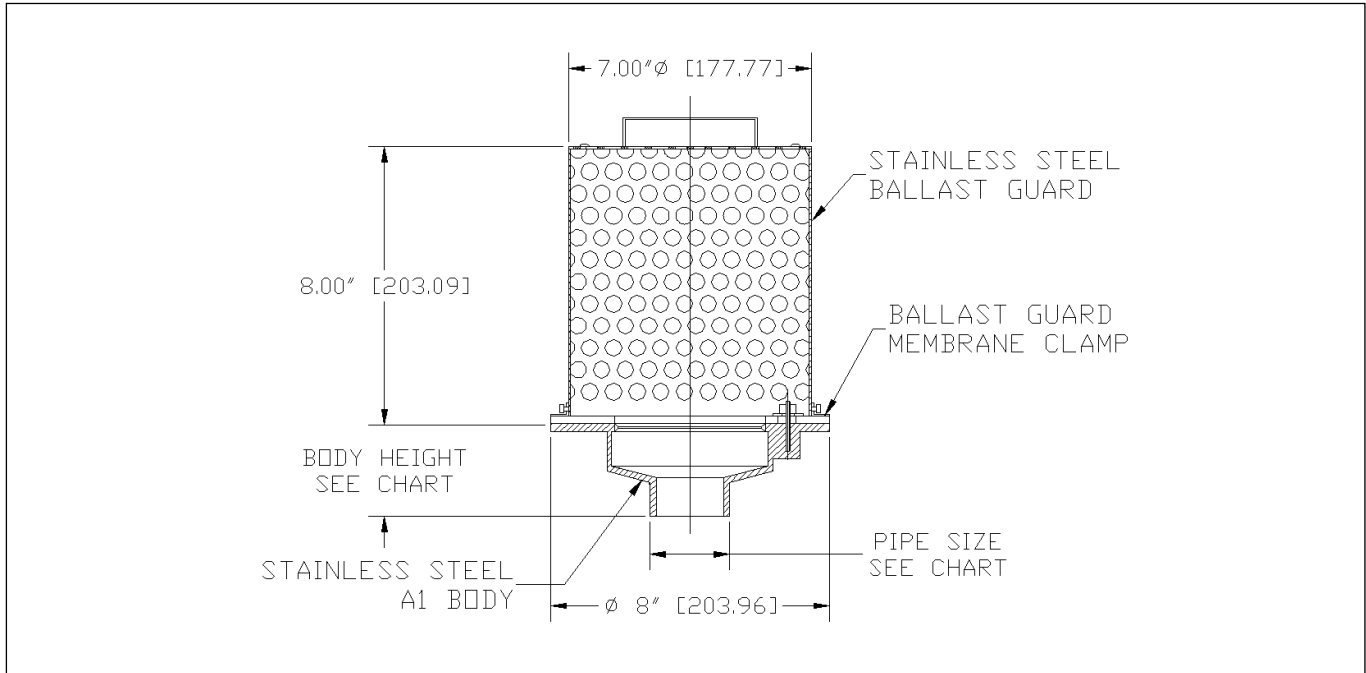
Location: _____



R1000-28-G8H

**GREEN ROOF DRAIN WITH PERFORATED
STAINLESS STEEL BALLAST GUARD AND
REMOVABLE COVER WITH LIFT HANDLE**

Specification: MIFAB® Series R1100-28-G8H green roof drain with 8" diameter, cast stainless steel A1 body with 2", 3", or 4" no hub bottom outlet connection, stainless steel membrane clamp, 8" high secured stainless steel ballast guard and removable perforated lid with lift handle.



MODEL NO.	PIPE SIZE	BODY HEIGHT				
		NO HUB (STANDARD)	PUSH ON (P)	THREADED (T)	INSIDE CAULK (X)	PVC (-30) / ABS (-31)
R1102-28-G8H	2" (51)	3" (76)	3 3/8" (86)	2 1/4" (57)	3 3/4" (95)	2 5/8" (67)
R1103-28-G8H	3" (76)	3" (76)	3 3/8" (86)	2 5/8" (67)	3 3/4" (95)	3 1/4" (83)
R1104-28-G8H	4" (102)	3" (76)	3 3/8" (86)	2 5/8" (67)	3 3/4" (95)	3 1/2" (89)

Suffix	Description
-6	Vandal proof secured top
-44	2" no hub auxiliary inlet (on ballast guard)
-45	3" no hub auxiliary inlet (on ballast guard)
-46	4" no hub auxiliary inlet (on ballast guard)
-47	Custom ballast guard height per 1" over the standard 8"
-BA	Buy America Act compliant product
-PA	Pennsylvania Steel Act compliant product

CALIFORNIA PROPOSITION 65 WARNING. This product contains chemicals known to the State of California to cause cancer and birth defects or other reproductive harm.

Job Name: _____ Page No: _____
 Section No: _____ Contractor: _____
 Schedule No: _____ Purchase Order No: _____